



КАТАЛОГ ПРОДУКЦИИ FULLING MOTOR

Комплектующие
для шаговых приводов



Purelogic R&D -
авторизованный дилер
Changzhou Fulling Motor CO., Ltd.
в России и странах СНГ

0.9° 35mm

大力矩混合式步进电机 High Torque Hybrid Stepper Motor

特性概要 (General specification)

选件 Options

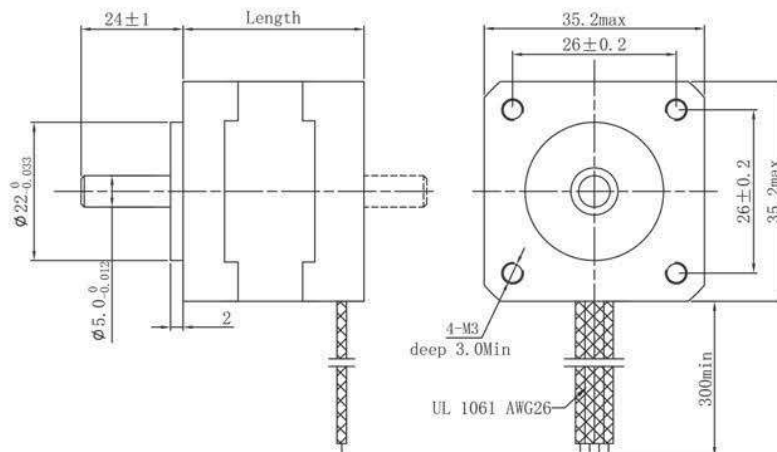


| 项目 (Item) | 说明 (Specifications) |
|--------------------------------|-------------------------------------|
| 步距角 (Step Angle) | 0.9° |
| 步距角精度 (Step Angle Accuracy) | ±5% (整步无负载, full step, no load) |
| 径向间隙 (Radial Play) | 0.02mm@400 g |
| 轴向间隙 (Axial Play) | 0.08mm@400 g |
| 最大径向负载 (Max. radial force) | 28N 距法兰 20mm (20mm from the flange) |
| 最大轴向负载 (Max. axial force) | 10N |
| 介电强度 (Dielectric Strength) | 600VAC / 1S |
| 绝缘电阻 (Insulation Resistance) | 100MΩ ,500VDC |
| 环境温度 (Ambient Temperature) | -20· C~+50· C |
| 绝缘等级 (Insulation Class) | Class B |

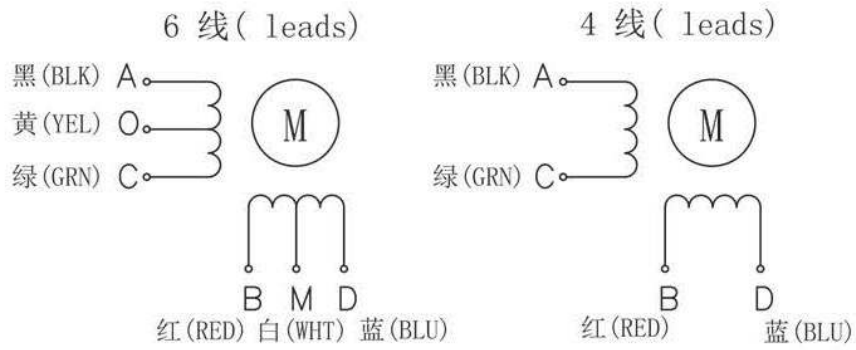
电性能 (Electrical specifications)

| 型号 (Model No.) | Current /Phase 每相 电流 | Resistance /Phase 每相 电阻 | Inductance /Phase 每相 电感 | Holding Torque 保持 转矩 | Detent Torque 定位 转矩 | # of Leads 引出线数 | Rotor Inertia 转动惯量 | Weight 重量 | Length 机身 长度 |
|----------------------|----------------------------|-------------------------------|-------------------------------|----------------------------|---------------------------|--------------------|-----------------------|--------------|--------------------|
| Single shaft (单出轴) | A | Ω | mH | N.m | N.m | # | g·cm ² | kg | mm |
| FL35ST20-1004MA | 1.0 | 10.0 | 8.5 | 0.050 | 0.005 | 4 | 8 | 0.10 | 20±1 |
| FL35ST26-0504MA | 0.5 | 6.1 | 6.9 | 0.090 | 0.008 | 4 | 11 | 0.15 | 26±1 |

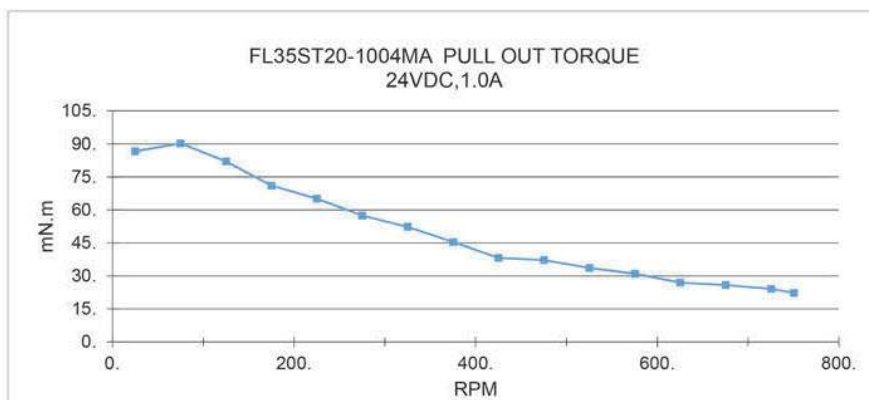
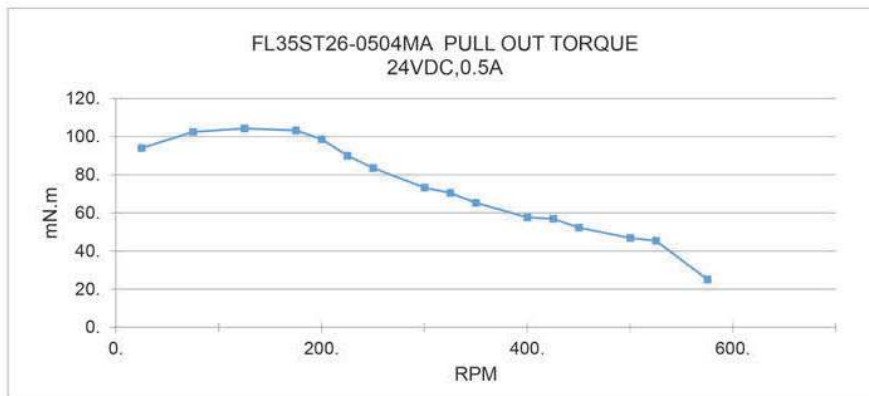
机械尺寸 (Dimension)



■ 接线图 (Wiring Diagram)



■ 矩频曲线 (Pull out torque curve)



该款电机可以根据客户需求定制。

The motor can be designed & manufactured with customized request.

0.9° 36mm

圆形混合式步进电机 Round Hybrid Stepper Motor

特性概要 (General specification)

选件 Options



接插件

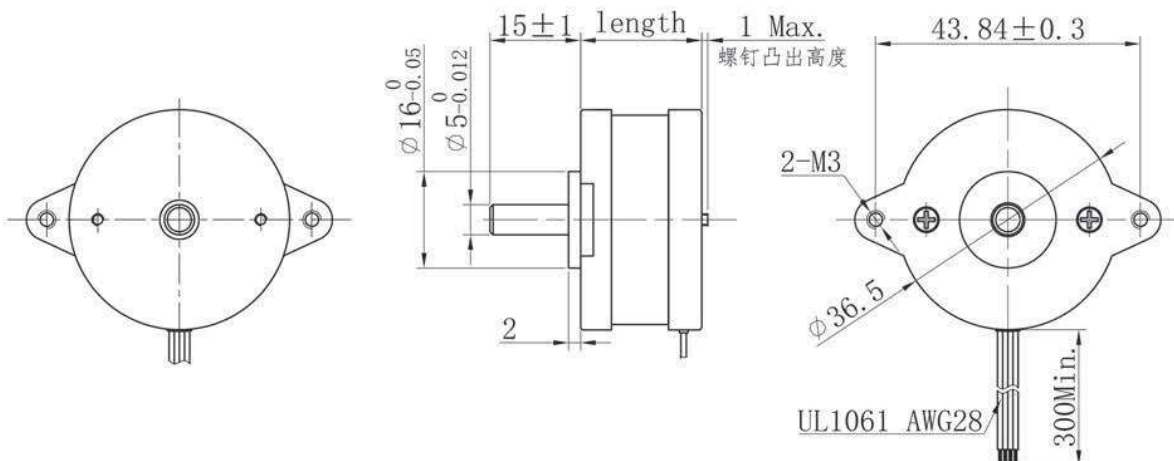


| 项目 (Item) | 说明 (Specifications) |
|--------------------------------|--------------------------------------|
| 步距角 (Step Angle) | 0.9° |
| 步距角精度 (Step Angle Accuracy) | ±5% (整步无负载, full step, no load) |
| 径向间隙 (Radial Play) | 0.02mm@450 g |
| 轴向间隙 (Axial Play) | 0.08mm@450 g |
| 最大径向负载 (Max. radial force) | 5.5N 距法兰 20mm (20mm from the flange) |
| 最大轴向负载 (Max. axial force) | 2.5N |
| 介电强度 (Dielectric Strength) | 600VAC / 1s |
| 绝缘电阻 (Insulation Resistance) | 100MΩ ,500VDC |
| 环境温度 (Ambient Temperature) | -20° C~+50° C |
| 绝缘等级 (Insulation Class) | Class B |

电性能 (Electrical specifications)

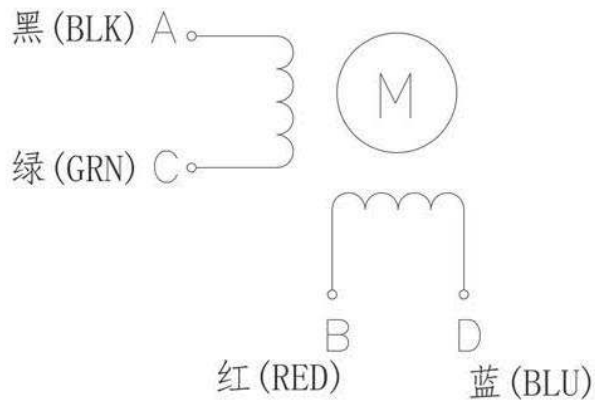
| 型号 (Model No.) | Current /Phase 每相 电流 | Resistance /Phase 每相 电阻 | Inductance /Phase 每相 电感 | Holding Torque 保持 转矩 | Detent Torque 定位 转矩 | # of Leads 引出线数 | Rotor Inertia 转动 惯量 | Weight 重量 | Length 机身 长度 |
|-----------------------|----------------------------|-------------------------------|-------------------------------|----------------------------|---------------------------|--------------------|---------------------------|--------------|--------------------|
| Single shaft (单出轴) | A | Ω | mH | N.m | N.m | # | g-cm ² | kg | mm |
| FL36STH20-0504MA | 0.5 | 11.5 | 9 | 0.1 | 0.006 | 4 | 19.6 | 0.09 | 20±1 |

机械尺寸 (Dimension)

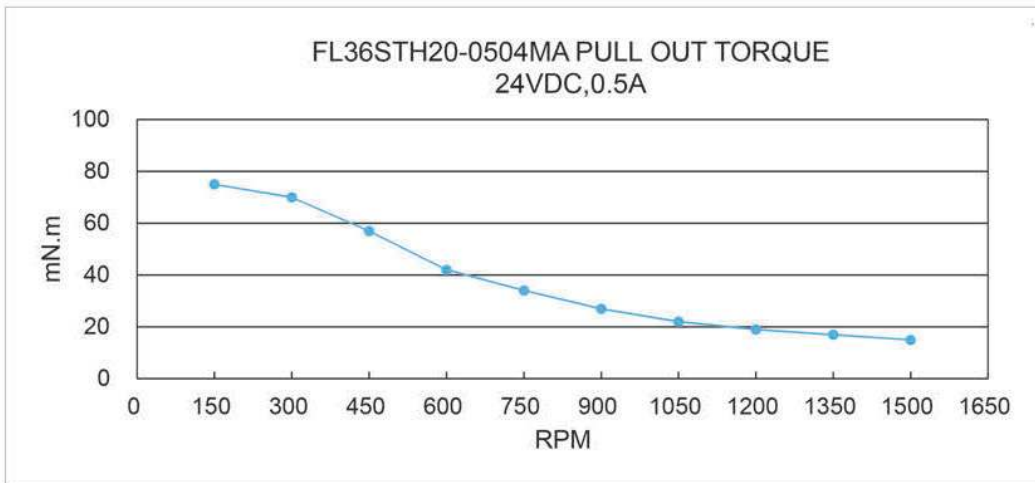


■ 接线图 (Wiring Diagram)

4 线 (leads)



■ 矩频曲线 (Pull out torque curve)



该款电机可以根据客户需求定制。

The motor can be designed & manufactured with customized request.

0.9° 39mm

混合式步进电机 Hybrid Stepper Motor

特性概要 (General specification)

选件 Options

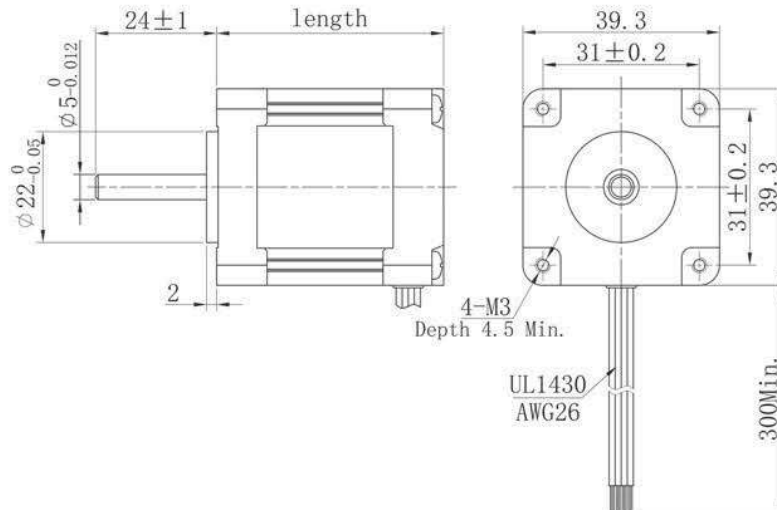


| 项目 (Item) | 说明 (Specifications) |
|--------------------------------|-------------------------------------|
| 步距角 (Step Angle) | 0.9° |
| 步距角精度 (Step Angle Accuracy) | ±5% (整步无负载, full step, no load) |
| 径向间隙 (Radial Play) | 0.02mm@450 g |
| 轴向间隙 (Axial Play) | 0.08mm@450 g |
| 最大径向负载 (Max. radial force) | 28N 距法兰 20mm (20mm from the flange) |
| 最大轴向负载 (Max. axial force) | 10N |
| 介电强度 (Dielectric Strength) | 600VAC / 1s |
| 绝缘电阻 (Insulation Resistance) | 100MΩ ,500VDC |
| 环境温度 (Ambient Temperature) | -20· C~+50· C |
| 绝缘等级 (Insulation Class) | Class B |

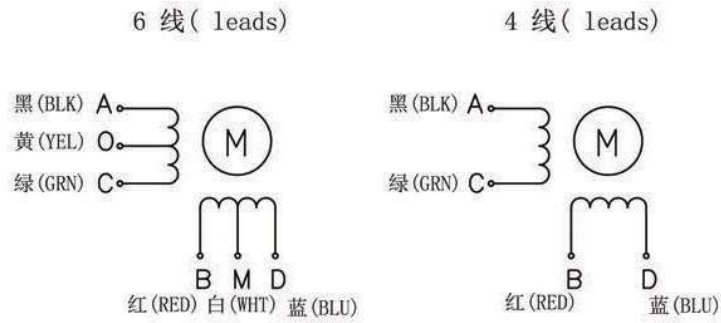
电性能 (Electrical specifications)

| 型号 (Model No.) | Current /Phase 每相 电流 | Resistance /Phase 每相 电阻 | Inductance /Phase 每相 电感 | Holding Torque 保持 转矩 | Detent Torque 定位 转矩 | # of Leads 引出 线数 | Rotor Inertia 转动 惯量 | Weight 重量 | Length 机身 长度 |
|-----------------------|----------------------------|-------------------------------|-------------------------------|----------------------------|---------------------------|------------------------|---------------------------|--------------|--------------------|
| Single shaft (单出轴) | A | Ω | mH | N.m | N.m | # | g-cm ² | kg | mm |
| FL39STH45-0284MA | 0.28 | 60 | 145 | 0.297 | 0.02 | 4 | 36 | 0.29 | 44.5±1 |

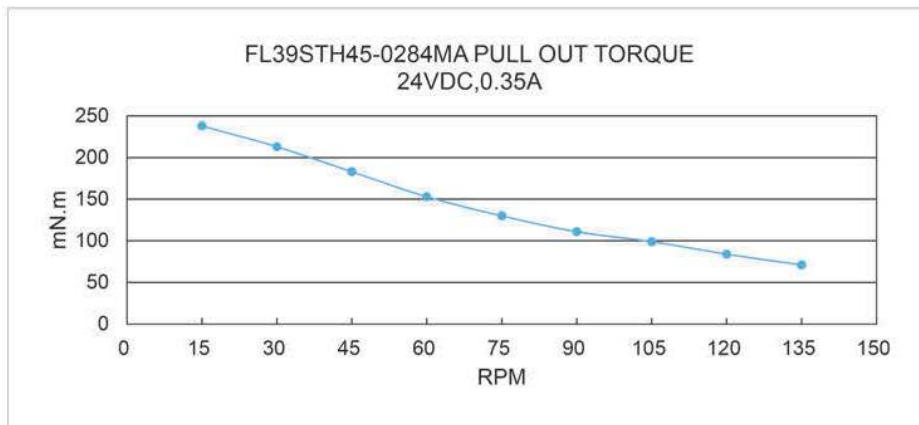
机械尺寸 (Dimension)



■ 接线图 (Wiring Diagram)



■ 矩频曲线 (Pull out torque curve)



该款电机可以根据客户需求定制。

The motor can be designed & manufactured with customized request.

0.9° 42mm

混合式步进电机 Hybrid Stepper Motor

特性概要 (General specification)

选件 Options

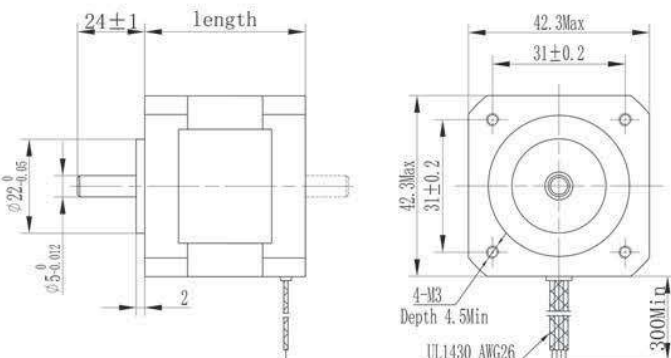


| 项目 (Item) | 说明 (Specifications) |
|------------------------------|-------------------------------------|
| 步距角 (Step Angle) | 0.9° |
| 步距角精度 (Step Angle Accuracy) | ±5% (整步无负载, full step, no load) |
| 径向间隙 (Radial Play) | 0.02mm@450 g |
| 轴向间隙 (Axial Play) | 0.08mm@450 g |
| 最大径向负载 (Max. radial force) | 28N 距法兰 20mm (20mm from the flange) |
| 最大轴向负载 (Max. axial force) | 10N |
| 介电强度 (Dielectric Strength) | 600VAC / 1s |
| 绝缘电阻 (Insulation Resistance) | 100MΩ ,500VDC |
| 环境温度 (Ambient Temperature) | -20° C~+50° C |
| 绝缘等级 (Insulation Class) | Class B |

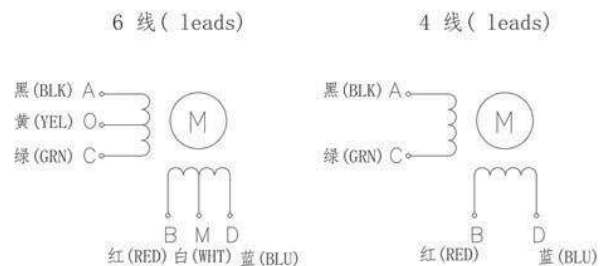
电性能 (Electrical specifications)

| 型号 (Model No.) | Current /Phase 每相 电流 | Resistance /Phase 每相 电阻 | Inductance /Phase 每相 电感 | Holding Torque 保持 转矩 | Detent Torque 定位 转矩 | # of Leads 引出线数 | Rotor Inertia 转动惯量 | Weight 重量 | Length 机身 长度 |
|-----------------------|----------------------------|-------------------------------|-------------------------------|----------------------------|---------------------------|--------------------|-----------------------|--------------|--------------------|
| Single shaft (单出轴) | A | Ω | mH | N.m | N.m | # | g-cm ² | kg | mm |
| FL42STH33-0956MA | 0.95 | 4.2 | 4 | 0.158 | 0.020 | 6 | 35 | 200 | 33.5±1 |
| FL42STH33-1334MA | 1.33 | 2.1 | 4.2 | 0.220 | | 4 | | | |
| FL42STH38-1206MA | 1.2 | 3.3 | 4.1 | 0.259 | 0.022 | 6 | 54 | 220 | 39.5±1 |
| FL42STH38-1684MA | 1.68 | 1.8 | 4.1 | 0.330 | | 4 | | | |
| FL42STH47-1206MA | 1.2 | 3.3 | 4.9 | 0.317 | 0.025 | 6 | 68 | 250 | 47.5±1 |
| FL42STH47-1684MA | 1.68 | 1.8 | 5.0 | 0.440 | | 4 | | | |

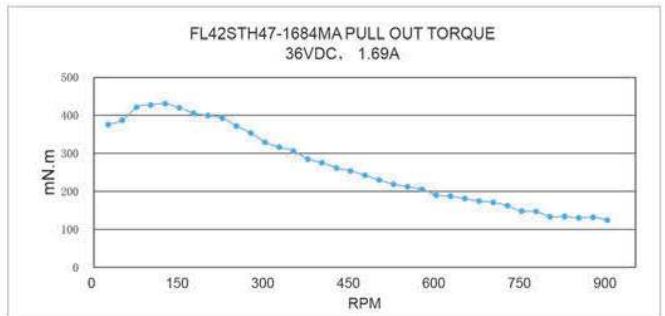
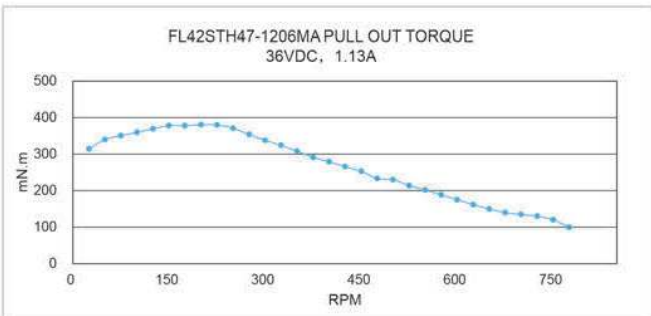
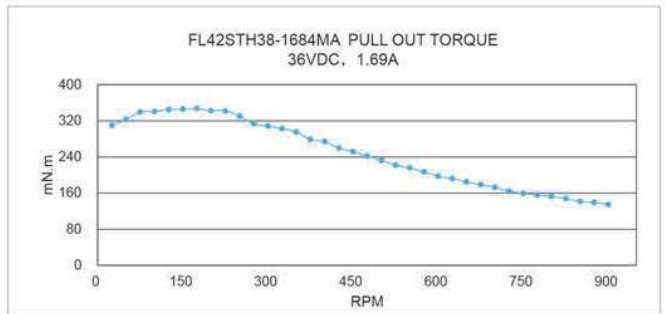
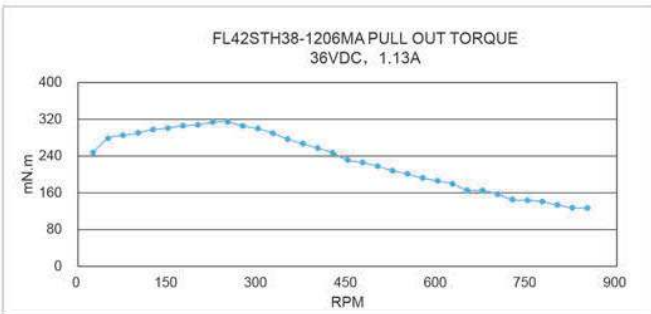
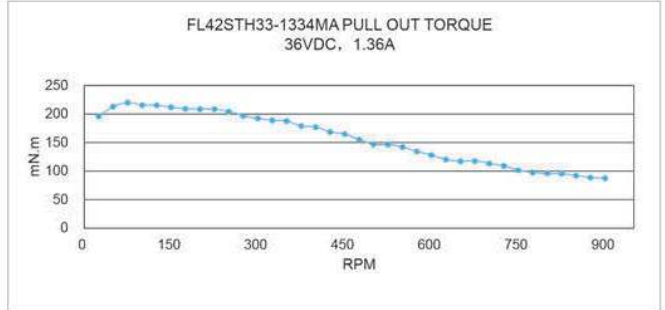
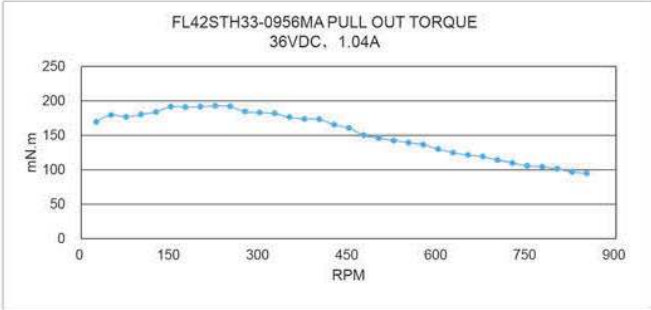
机械尺寸 (Dimension)



接线图 (Wiring Diagram)



■ 矩频曲线 (Pull out torque curve)



该款电机可以根据客户需求定制。

The motor can be designed & manufactured with customized request.

0.9° 57mm

混合式步进电机 Hybrid Stepper Motor

特性概要 (General specification)

选件 Options



接插件 齿轮箱 编码器 刹车

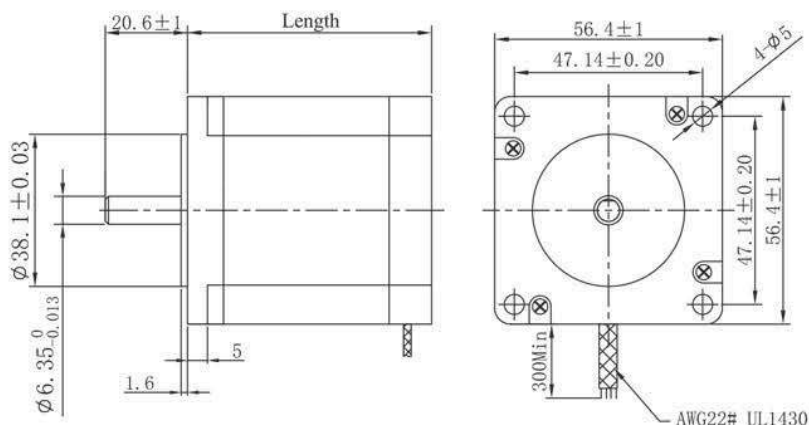


| 项目 (Item) | 说明 (Specifications) |
|--------------------------------|-------------------------------------|
| 步距角 (Step Angle) | 0.9° |
| 步距角精度 (Step Angle Accuracy) | ±5% (整步无负载, full step, no load) |
| 径向间隙 (Radial Play) | 0.02mm@450 g |
| 轴向间隙 (Axial Play) | 0.08mm@450 g |
| 最大径向负载 (Max. radial force) | 75N 距法兰 20mm (20mm from the flange) |
| 最大轴向负载 (Max. axial force) | 15N |
| 介电强度 (Dielectric Strength) | 600VAC / 1S |
| 绝缘电阻 (Insulation Resistance) | 100MΩ ,500VDC |
| 环境温度 (Ambient Temperature) | -20° C~+50° C |
| 绝缘等级 (Insulation Class) | Class B |

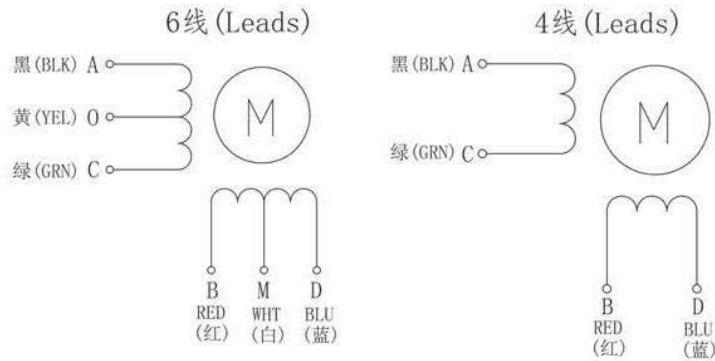
电性能 (Electrical specifications)

| 型号 (Model No.) | Current /Phase 每相 电流 | Resistance /Phase 每相 电阻 | Inductance /Phase 每相 电感 | Holding Torque 保持 转矩 | Detent Torque 定位 转矩 | # of Leads 引出线数 | Rotor Inertia 转动惯量 | Weight 重量 | Length 机身 长度 |
|-------------------------|----------------------------|-------------------------------|-------------------------------|----------------------------|---------------------------|--------------------|-----------------------|--------------|--------------------|
| Single shaft (单出轴) | A | Ω | mH | N.m | N.m | # | g-cm ² | kg | mm |
| FL57STH41-2006MA | 2.0 | 1.4 | 2.2 | 0.39 | 0.021 | 6 | 120 | 0.45 | 41 |
| FL57STH41-2804MA | 2.8 | 0.7 | 2.2 | 0.55 | 0.021 | 4 | 120 | 0.45 | 41 |
| FL57STH56-2006MA | 2.0 | 1.8 | 4.5 | 0.9 | 0.04 | 6 | 300 | 0.7 | 56 |
| FL57STH56-2804MA | 2.8 | 0.9 | 4.5 | 1.2 | 0.04 | 4 | 300 | 0.7 | 56 |
| FL57STH76-2006MA | 2.0 | 2.25 | 5.6 | 1.35 | 0.068 | 6 | 480 | 1.0 | 76 |
| FL57STH76-2804MA | 2.8 | 1.13 | 5.6 | 1.8 | 0.068 | 4 | 480 | 1.0 | 76 |

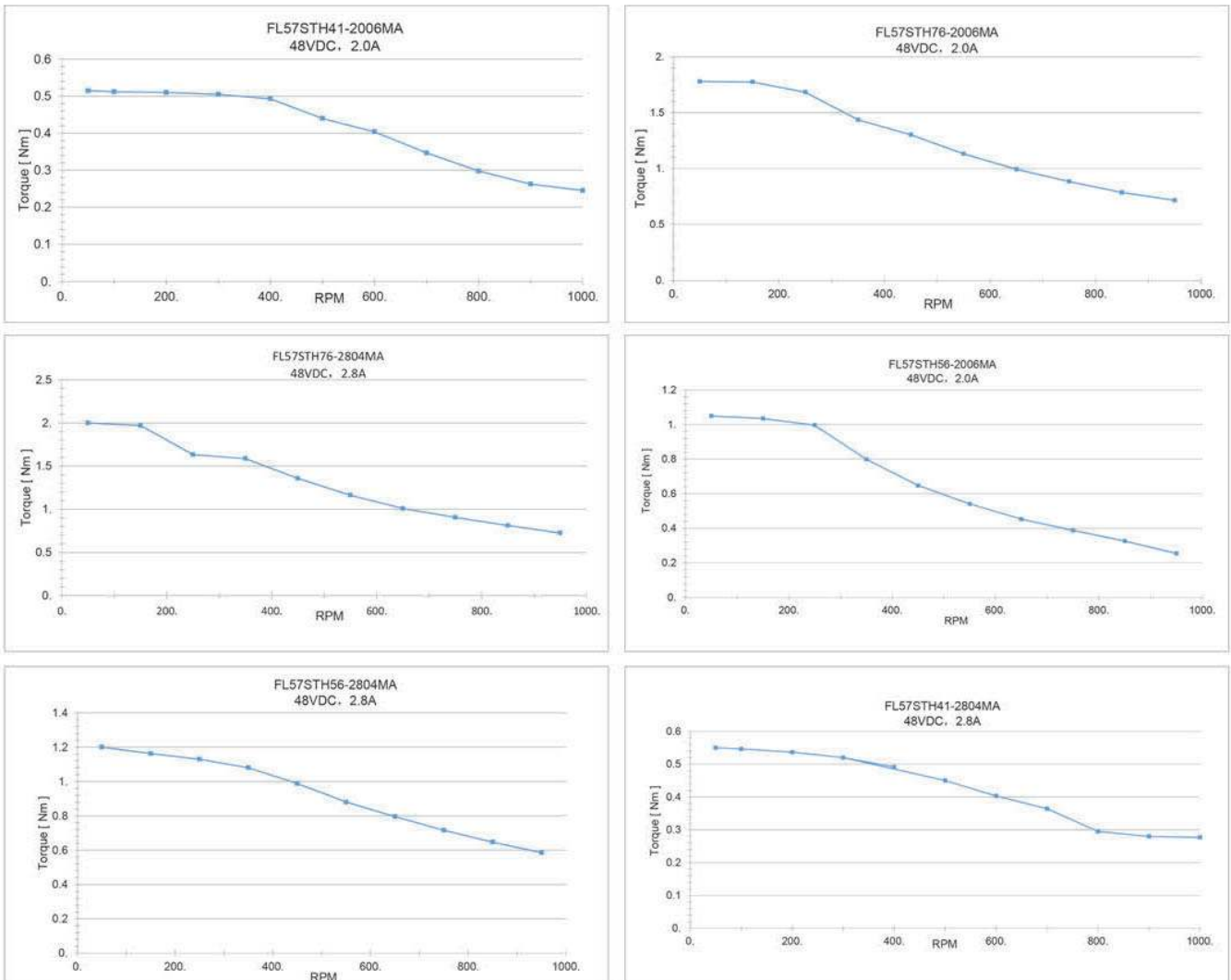
机械尺寸 (Dimension)



接线图 (Wiring Diagram)



矩频曲线 (Pull out torque curve)



该款电机可以根据客户需求定制。

The motor can be designed & manufactured with customized request.

1.2° 42mm

3相混合式步进电机 3 phase Hybrid Stepper Motor

特性概要 (General specification)

选件 Options

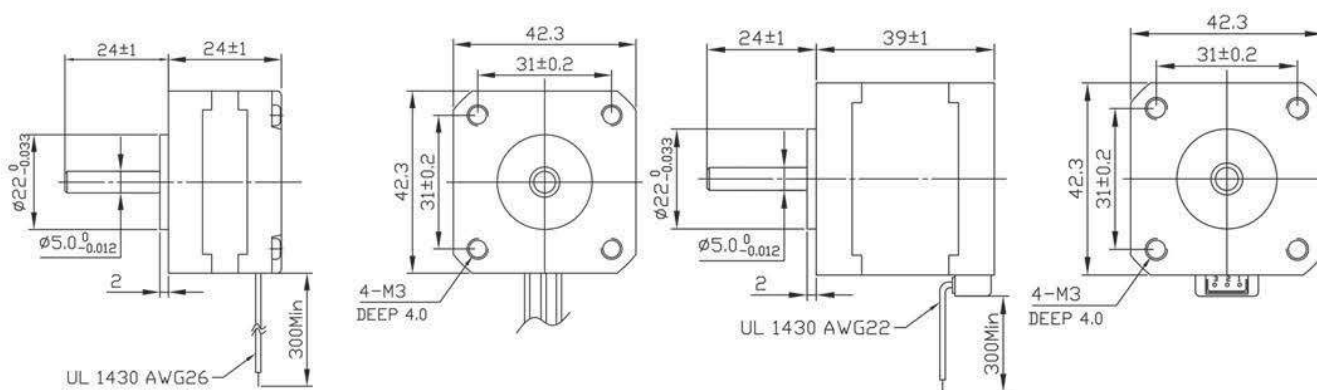


| 项目 (Item) | 说明 (Specifications) |
|------------------------------|-------------------------------------|
| 步距角 (Step Angle) | 1.2° |
| 步距角精度 (Step Angle Accuracy) | ±5% (整步无负载, full step, no load) |
| 径向间隙 (Radial Play) | 0.02mm@450 g |
| 轴向间隙 (Axial Play) | 0.08mm@450 g |
| 最大径向负载 (Max. radial force) | 28N 距法兰 20mm (20mm from the flange) |
| 最大轴向负载 (Max. axial force) | 10N |
| 介电强度 (Dielectric Strength) | 600VAC / 1s |
| 绝缘电阻 (Insulation Resistance) | 100MΩ ,500VDC |
| 环境温度 (Ambient Temperature) | -20· C~+50· C |
| 绝缘等级 (Insulation Class) | Class B |

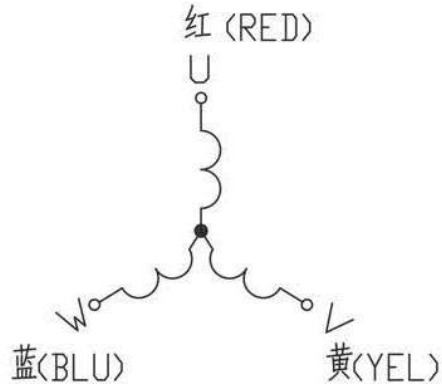
电性能 (Electrical specifications)

| 型号 (Model No.) | Current /Phase 每相 电流 | Resistance /Phase 每相 电阻 | Inductance /Phase 每相 电感 | Holding Torque 保持 转矩 | Detent Torque 定位 转矩 | # of Leads 引出 线数 | Rotor Inertia 转动 惯量 | Weight 重量 | Length 机身 长度 |
|-----------------------|----------------------------|-------------------------------|-------------------------------|----------------------------|---------------------------|------------------------|---------------------------|--------------|--------------------|
| Single shaft (单出轴) | A | Ω | mH | N.m | N.m | # | g·cm ² | kg | mm |
| FL423P24-0903A | 0.9 | 6.2 | 3.2 | 0.08 | 0.012 | 3 | 20 | 0.14 | 24 |
| FL423P39-2403A | 2.4 | 1.2 | 0.8 | 0.196 | 0.015 | 3 | 53 | 0.3 | 39 |

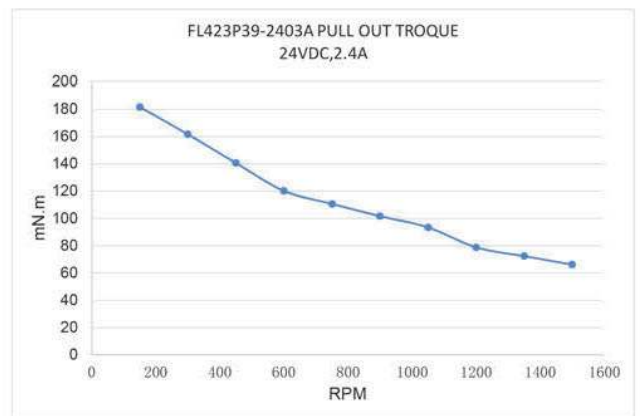
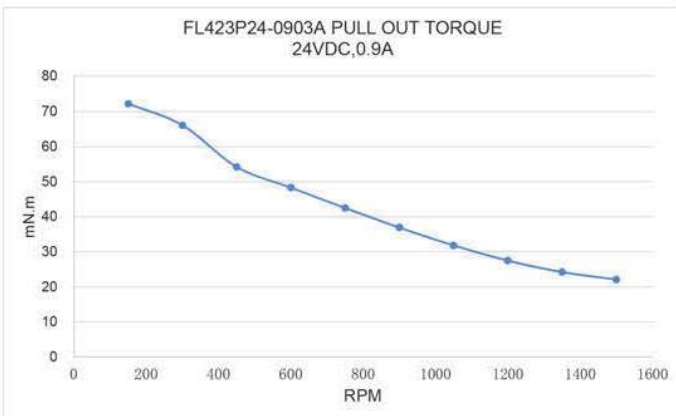
机械尺寸 (Dimension)



■ 接线图 (Wiring Diagram)



■ 矩频曲线 (Pull out torque curve)



该款电机可以根据客户需求定制。

The motor can be designed & manufactured with customized request.

1.2° 57mm

3相混合式步进电机 3 phase Hybrid Stepper Motor

特性概要 (General specification)

选件 Options

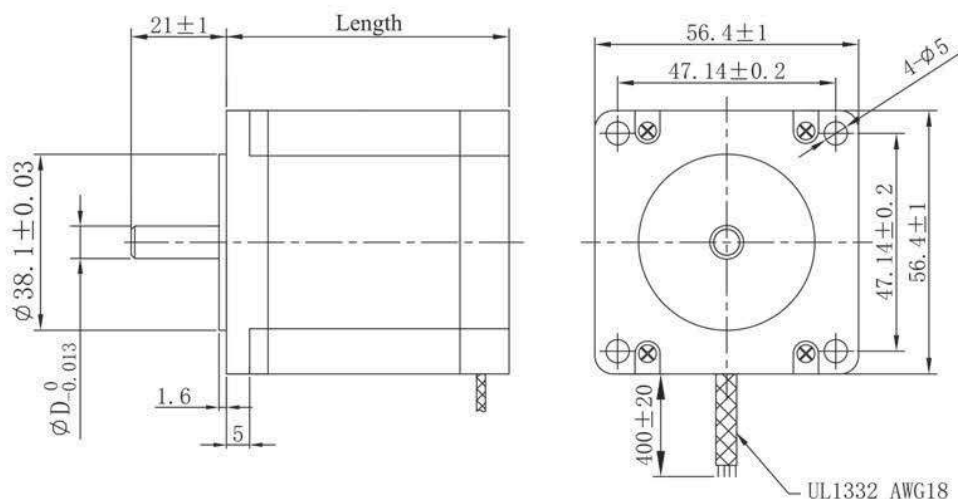


| 项目 (Item) | 说明 (Specifications) |
|--------------------------------|-------------------------------------|
| 步距角 (Step Angle) | 1.2° |
| 步距角精度 (Step Angle Accuracy) | ±5% (整步无负载, full step, no load) |
| 径向间隙 (Radial Play) | 0.02mm@450 g |
| 轴向间隙 (Axial Play) | 0.08mm@450 g |
| 最大径向负载 (Max. radial force) | 28N 距法兰 20mm (20mm from the flange) |
| 最大轴向负载 (Max. axial force) | 10N |
| 介电强度 (Dielectric Strength) | 900VAC / 1s |
| 绝缘电阻 (Insulation Resistance) | 100MQ ,500VDC |
| 环境温度 (Ambient Temperature) | -20° C~+50° C |
| 绝缘等级 (Insulation Class) | Class B |

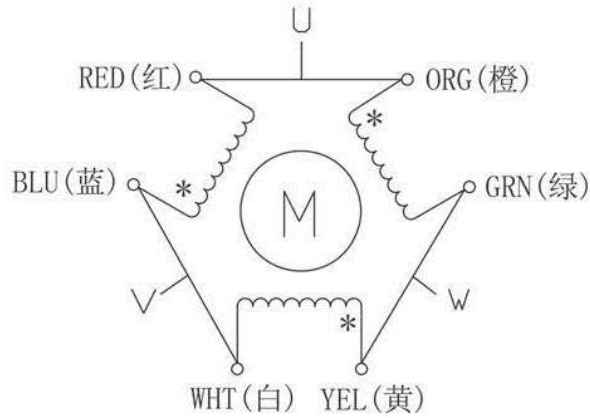
电性能 (Electrical specifications)

| 型号 (Model No.) | Current /Phase 每相 电流 | Resistance /Phase 每相 电阻 | Inductance /Phase 每相 电感 | Holding Torque 保持 转矩 | Detent Torque 定位 转矩 | # of Leads 引出 线数 | Rotor Inertia 转动惯量 | Weight 重量 | Length 机身 长度 |
|-----------------------|----------------------------|-------------------------------|-------------------------------|----------------------------|---------------------------|------------------------|-----------------------|--------------|--------------------|
| Single shaft (单出轴) | A | Ω | mH | N.m | N.m | # | g-cm ² | kg | mm |
| FL573P42-5206A | 5.2 | 1.3 | 1.4 | 0.45 | 0.021 | 6 | 110 | 0.45 | 42±1 |
| FL573P56-5606A | 5.6 | 0.7 | 1.7 | 0.90 | 0.040 | 6 | 300 | 0.75 | 56±1 |
| FL573P79-5806A | 5.8 | 1.05 | 2.4 | 1.50 | 0.068 | 6 | 480 | 1.10 | 79±1 |

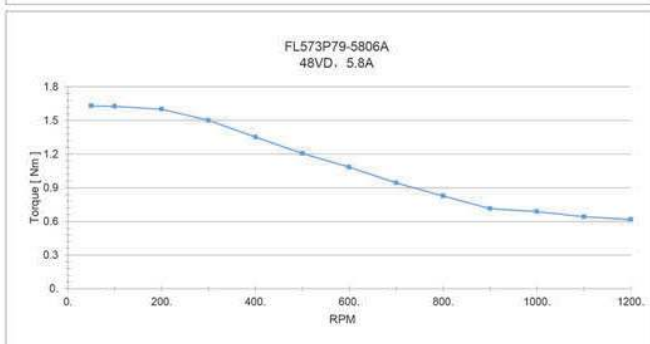
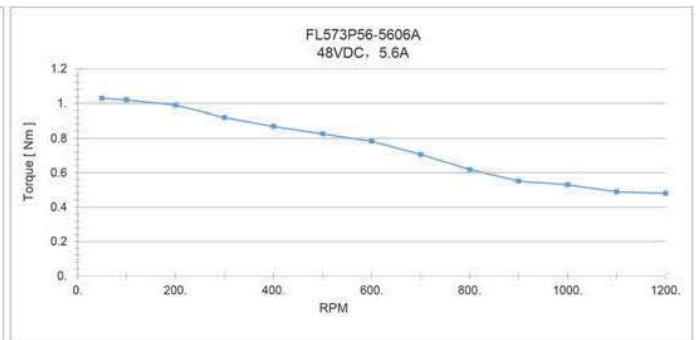
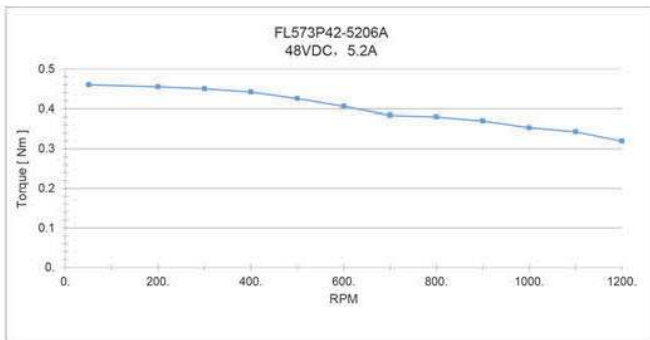
机械尺寸 (Dimension)



■ 接线图 (Wiring Diagram)



■ 矩频曲线 (Pull out torque curve)



该款电机可以根据客户需求定制。

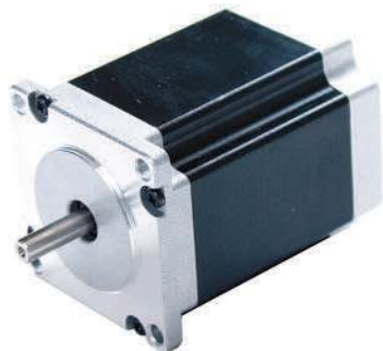
The motor can be designed & manufactured with customized request.

1.2° 60mm

3相混合式步进电机 3 phase Hybrid Stepper Motor

特性概要 (General specification)

选件 Options

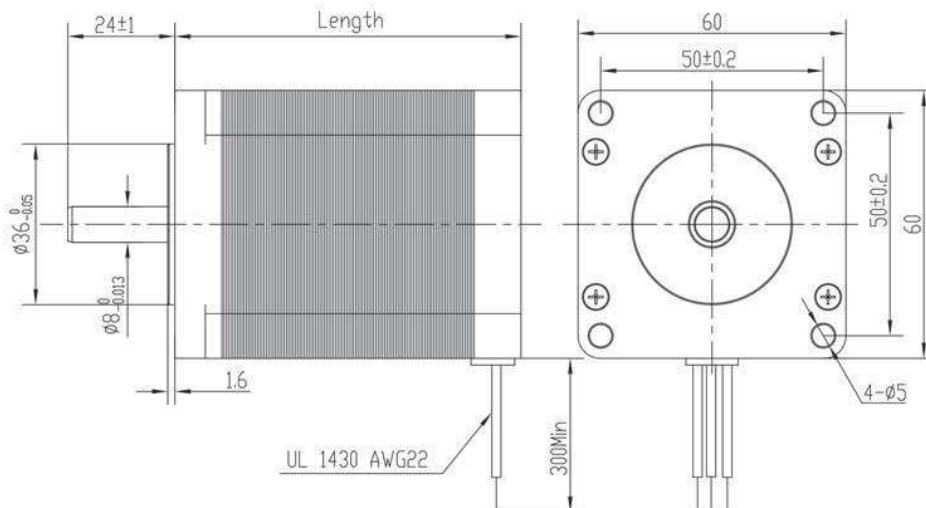


| 项目 (Item) | 说明 (Specifications) |
|--------------------------------|-------------------------------------|
| 步距角 (Step Angle) | 1.2° |
| 步距角精度 (Step Angle Accuracy) | ±5% (整步无负载, full step, no load) |
| 径向间隙 (Radial Play) | 0.02mm@450 g |
| 轴向间隙 (Axial Play) | 0.08mm@450 g |
| 最大径向负载 (Max. radial force) | 75N 距法兰 20mm (20mm from the flange) |
| 最大轴向负载 (Max. axial force) | 15N |
| 介电强度 (Dielectric Strength) | 600VAC / 1s |
| 绝缘电阻 (Insulation Resistance) | 100MΩ ,500VDC |
| 环境温度 (Ambient Temperature) | -20· C~+50· C |
| 绝缘等级 (Insulation Class) | Class B |

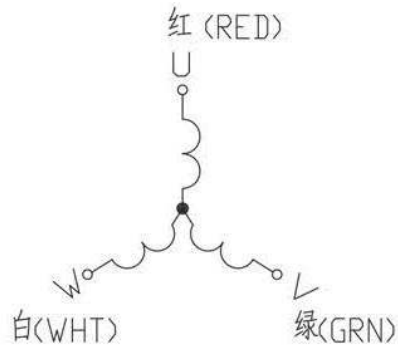
电性能 (Electrical specifications)

| 型号 (Model No.) | Current /Phase 每相 电流 | Resistance /Phase 每相 电阻 | Inductance /Phase 每相 电感 | Holding Torque 保持 转矩 | Detent Torque 定位 转矩 | # of Leads 引出 线数 | Rotor Inertia 转动 惯量 | Weight 重量 | Length 机身 长度 |
|-----------------------|----------------------------|-------------------------------|-------------------------------|----------------------------|---------------------------|------------------------|---------------------------|--------------|--------------------|
| Single shaft (单出轴) | A | Ω | mH | N.m | N.m | # | g-cm ² | kg | mm |
| FL603P1253-1503A | 1.5 | 4.1 | 9.5 | 0.8 | 0.07 | 3 | 260 | 0.8 | 53.5±1 |
| FL603P1277-1503A | 1.5 | 4.4 | 10 | 1.1 | 0.09 | 3 | 460 | 1.3 | 77.5±1 |

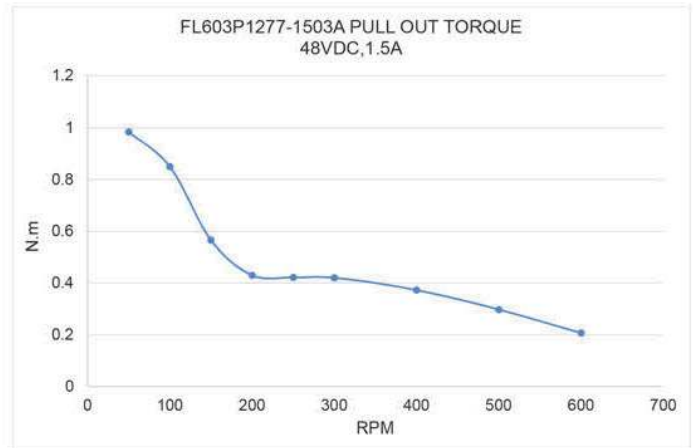
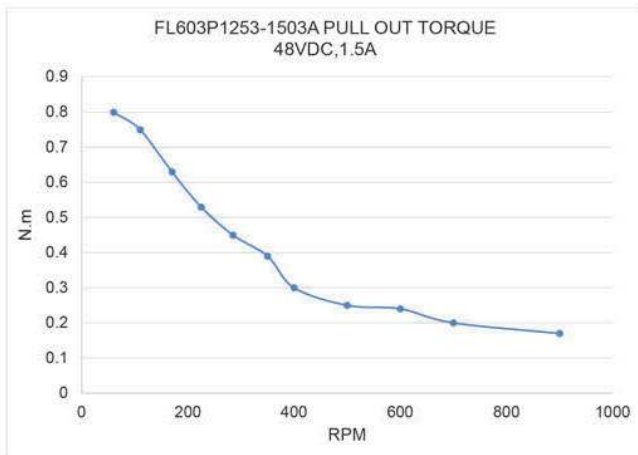
机械尺寸 (Dimension)



■ 接线图 (Wiring Diagram)



■ 矩频曲线 (Pull out torque curve)



该款电机可以根据客户需求定制。

The motor can be designed & manufactured with customized request.

1.2° 86mm

3相混合式步进电机 3-Phase Hybrid Stepper Motor

特性概要 (General specification)

选件 Options

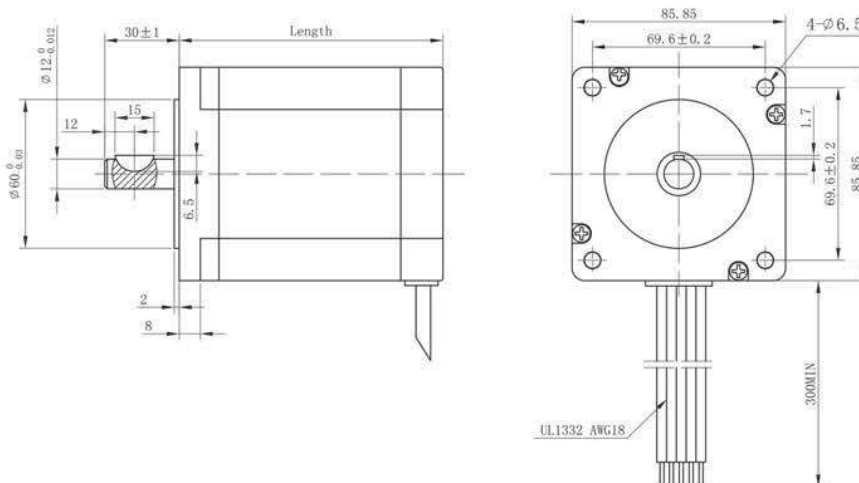


| 项目 (Item) | 说明 (Specifications) |
|--------------------------------|--------------------------------------|
| 步距角 (Step Angle) | 1.2° |
| 步距角精度 | ±5% (整步, 空载) |
| 径向间隙 (Radial Play) | 0.025mm@500 g |
| 轴向间隙 (Axial Play) | 0.075mm@1000 g |
| 最大径向负载 (Max. radial force) | 220N 距法兰 20mm (20mm from the flange) |
| 最大轴向负载 (Max. axial force) | 60N |
| 介电强度 (Dielectric Strength) | 1200VAC /1S |
| 绝缘电阻 (Insulation Resistance) | 100MΩ ,500VDC |
| 环境温度 (Ambient Temperature) | -20° C~+50° C |
| 绝缘等级 (Insulation Class) | Class B |

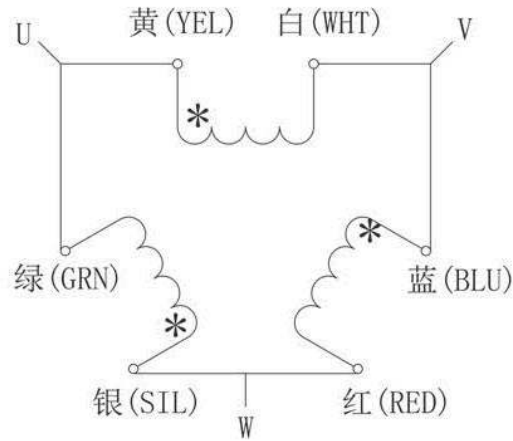
电性能 (Electrical specifications)

| 型号. (Model No.) | Current /Phase 每相 电流 | Resistance /Phase 每相 电阻 | Inductance /Phase 每相 电感 | Holding Torque 保持 转矩 | Detent Torque 定位 转矩 | # of Leads 引出线数 | Rotor Inertia 转动惯量 | Weight 重量 | Length 机身 长度 |
|-------------------------|----------------------------|-------------------------------|-------------------------------|----------------------------|---------------------------|--------------------|-----------------------|--------------|--------------------|
| Single shaft (单出轴) | A | Ω | mH | N.m | N.m | # | g-cm ² | kg | mm |
| FL863P67-01AW | 1.75 | 4.25 | 11 | 2.0 | 0.08 | 6 | 1120 | 1.65 | 67 |
| FL863P97-01AW | 2 | 5.8 | 23 | 4.52 | 0.15 | 6 | 2200 | 2.7 | 97 |
| FL863P97-02AW | 5.8 | 0.97 | 3.2 | 4.52 | 0.15 | 6 | | | |
| FL863P127-01AW | 2.25 | 9 | 41 | 6.78 | 0.26 | 6 | 3300 | 3.8 | 127 |
| FL863P127-02AW | 5.2 | 1.8 | 8 | 6.78 | 0.26 | 6 | | | |

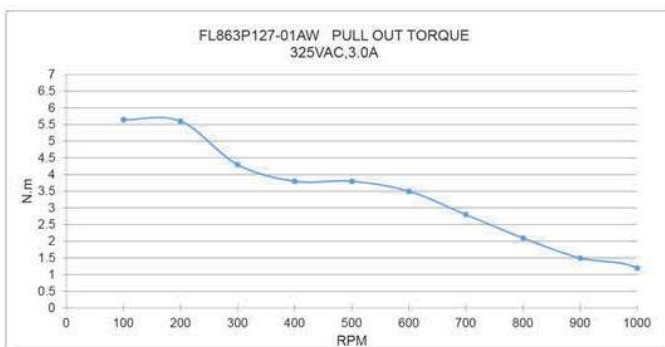
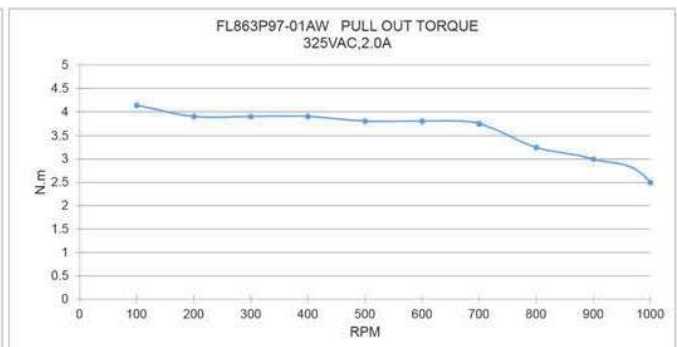
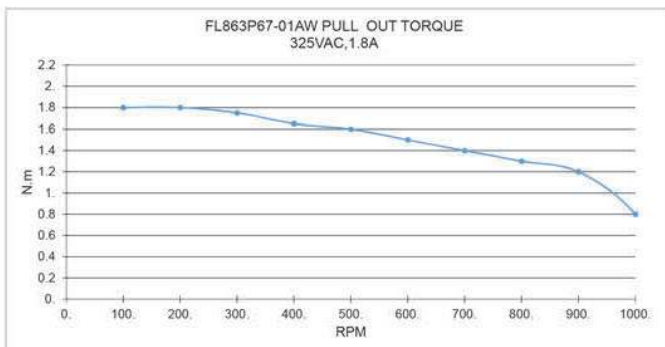
机械尺寸 (Dimension)



■ 接线图 (Wiring Diagram)



■ 矩频曲线 (Pull out torque curve)



该款电机可以根据客户需求定制。

The motor can be designed & manufactured with customized request.

1.2° 110mm

3相混合式步进电机 3-Phase Hybrid Stepper Motor

特性概要 (General specification)

选件 Options

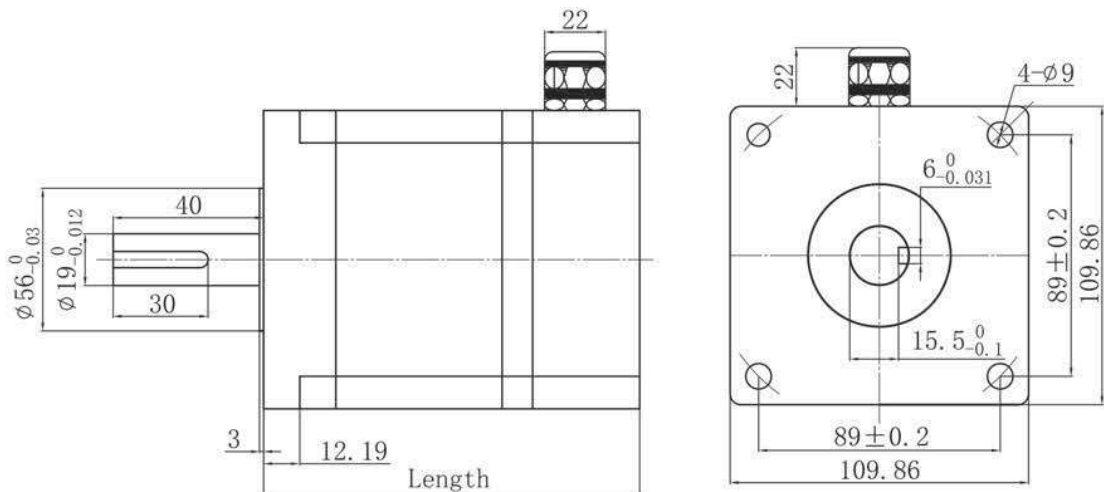


| 项目 (Item) | 说明 (Specifications) |
|--------------------------------|---|
| 步距角 (Step Angle) | 1.2° |
| 步距角精度 (Step Angle Accuracy) | ±5% (整步无负载, full step, no load) |
| 径向间隙 (Radial Play) | 0.02mm@450 g |
| 轴向间隙 (Axial Play) | 0.08mm@450 g |
| 最大径向负载 (Max. radial force) | 330N 距法兰 20mm (20mm from the flange) |
| 最大轴向负载 (Max. axial force) | 100N |
| 介电强度 (Dielectric Strength) | 1800VAC / 1s |
| 绝缘电阻 (Insulation Resistance) | 100MΩ ,500VDC |
| 环境温度 (Ambient Temperature) | -20°C~+50°C |
| 绝缘等级 (Insulation Class) | Class B |

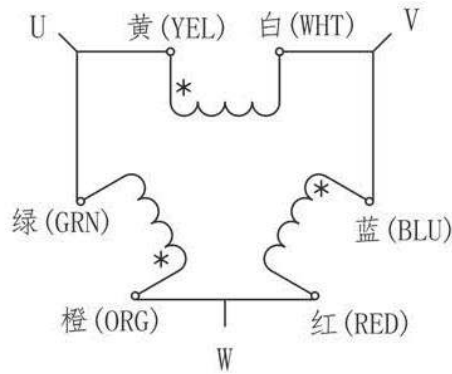
电性能 (Electrical specifications)

| 型号 (Model No.) | Current /Phase 每相 电流 | Resistance /Phase 每相 电阻 | Inductance /Phase 每相 电感 | Holding Torque 保持 转矩 | Detent Torque 定位 转矩 | # of Leads 引出 线数 | Rotor Inertia 转动 惯量 | Weight 重量 | Length 机身 长度 |
|----------------------|----------------------------|-------------------------------|-------------------------------|----------------------------|---------------------------|------------------------|---------------------------|--------------|--------------------|
| Single shaft (单出轴) | A | Ω | mH | N.m | N.m | # | g-cm ² | kg | mm |
| FL1103P170-01 | 4.1 | 1.96 | 18 | 13.92 | 1.01 | 6 | 10500 | 8 | 173±1 |

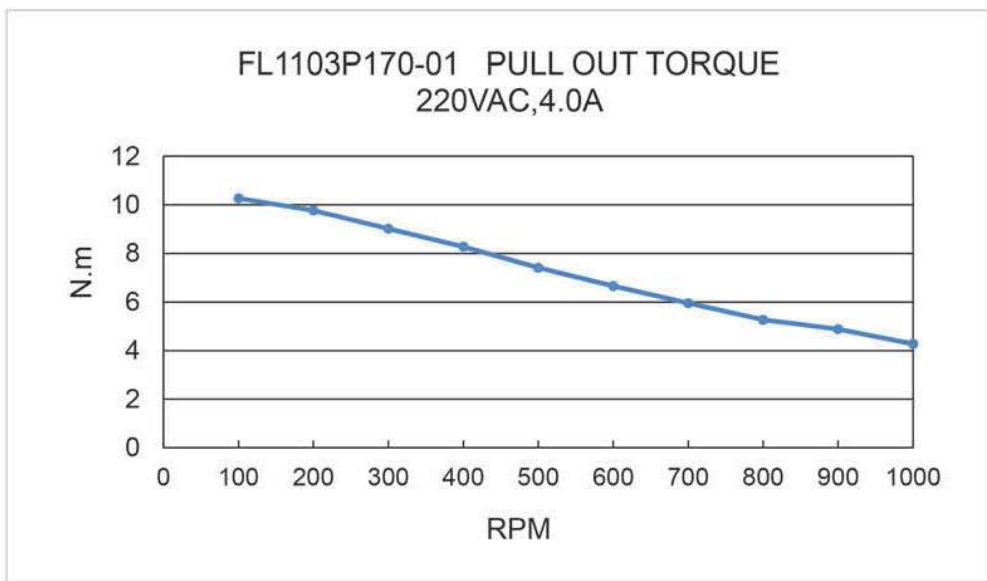
机械尺寸 (Dimension)



■ 接线图 (Wiring Diagram)



■ 矩频曲线 (Pull out torque curve)



该款电机可以根据客户需求定制。

The motor can be designed & manufactured with customized request.

1.8° 20mm

混合式步进电机 Hybrid Stepper Motor

特性概要 (General specification)

选件 Options

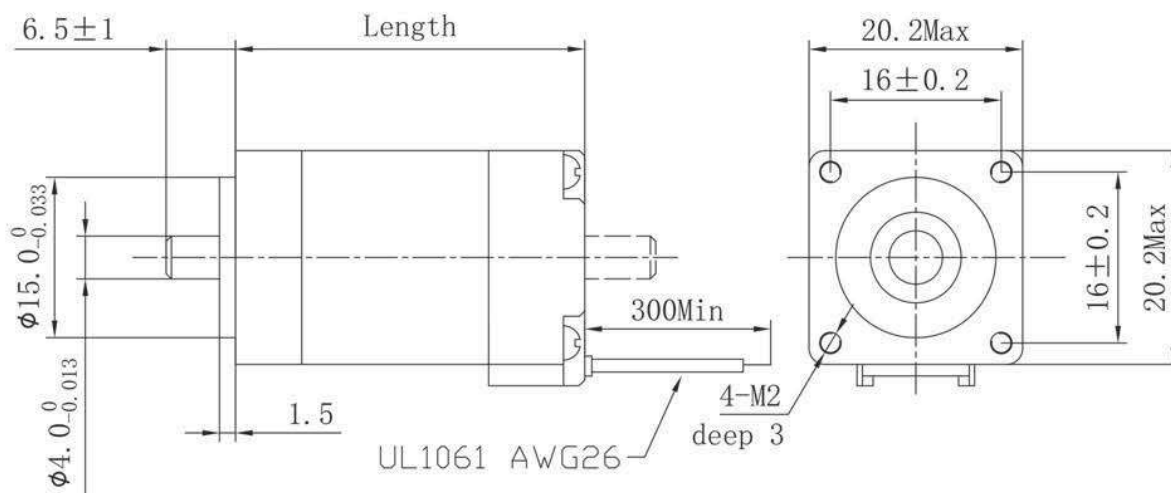


| 项目 (Item) | 说明 (Specifications) |
|------------------------------|---------------------------------|
| 步距角 (Step Angle) | 1.8° |
| 步距角精度 (Step Angle Accuracy) | ±5% (整步无负载, full step, no load) |
| 径向间隙 (Radial Play) | 0.02mm@450 g |
| 轴向间隙 (Axial Play) | 0.08mm@450 g |
| 最大径向负载 (Max. radial force) | 10N |
| 最大轴向负载 (Max. axial force) | 4N |
| 介电强度 (Dielectric Strength) | 600VAC / 1s |
| 绝缘电阻 (Insulation Resistance) | 100MΩ ,500VDC |
| 环境温度 (Ambient Temperature) | -20· C~+50· C |
| 绝缘等级 (Insulation Class) | Class B |

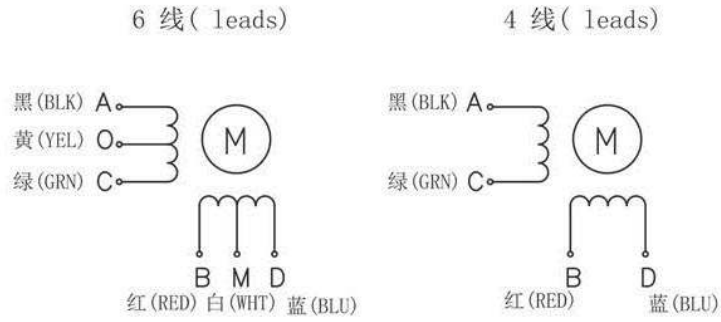
电性能 (Electrical specifications)

| 型号 (Model No.) | Current /Phase 每相 电流 | Resistance /Phase 每相 电阻 | Inductance /Phase 每相 电感 | Holding Torque 保持 转矩 | Detent Torque 定位 转矩 | # of Leads 引出 线数 | Rotor Inertia 转动 惯量 | Weight 重量 | Length 机身 长度 |
|-----------------------|----------------------------|-------------------------------|-------------------------------|----------------------------|---------------------------|------------------------|---------------------------|--------------|--------------------|
| Single shaft (单出轴) | A | Ω | mH | N.m | N.m | # | g·cm ² | kg | mm |
| FL20STH30-0604A | 0.6 | 6.5 | 1.7 | 0.018 | 0.002 | 4 | 2 | 0.06 | 30 |
| FL20STH33-0604A | 0.6 | 6.5 | 1.7 | 0.018 | 0.002 | 4 | 2 | 0.06 | 33 |
| FL20STH42-0804A | 0.8 | 5.4 | 1.5 | 0.03 | 0.002 | 4 | 3.6 | 0.08 | 42 |

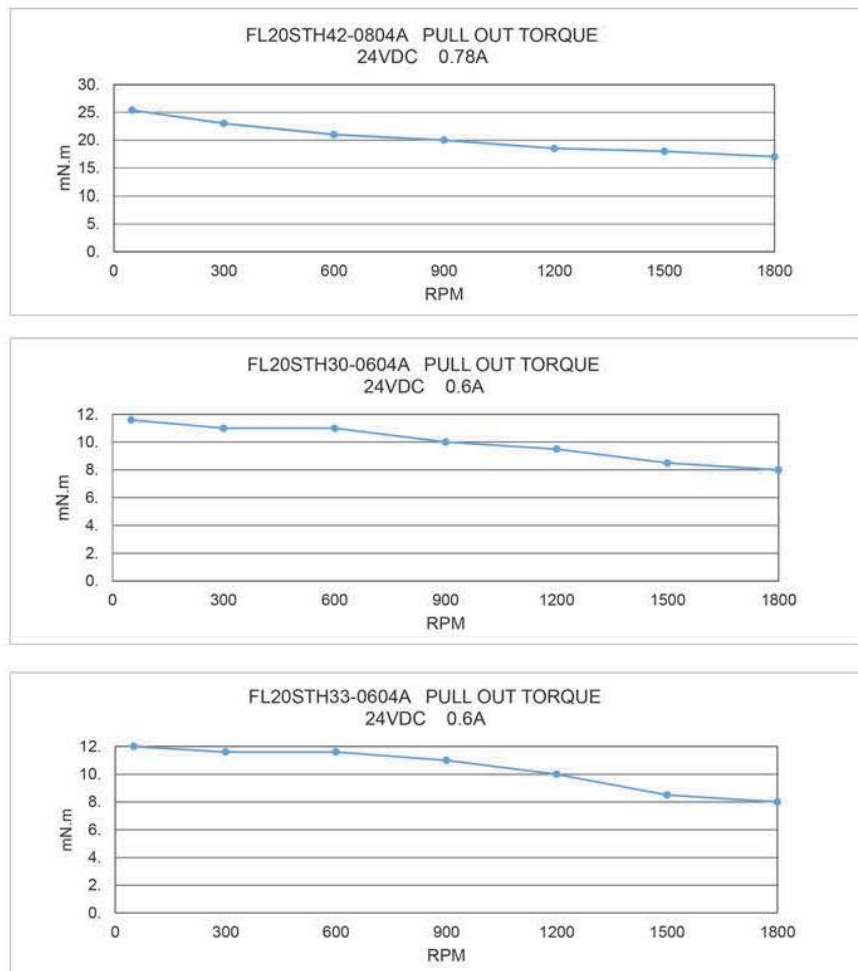
机械尺寸 (Dimension)



■ 接线图 (Wiring Diagram)



■ 矩频曲线 (Pull out torque curve)



该款电机可以根据客户需求定制。

The motor can be designed & manufactured with customized request.

特性概要 (General specification)



选件 Options

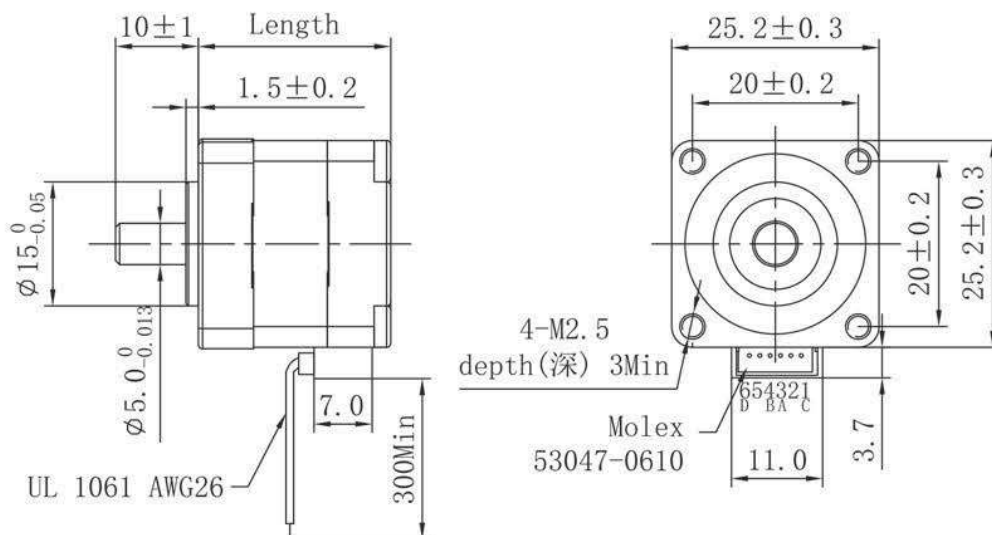


| 项目 (Item) | 说明 (Specifications) |
|--------------------------------|-------------------------------------|
| 步距角 (Step Angle) | 1.8° |
| 步距角精度 (Step Angle Accuracy) | ±5% (整步无负载, full step, no load) |
| 径向间隙 (Radial Play) | 0.02mm@450 g |
| 轴向间隙 (Axial Play) | 0.08mm@450 g |
| 最大径向负载 (Max. radial force) | 28N 距法兰 20mm (20mm from the flange) |
| 最大轴向负载 (Max. axial force) | 7N |
| 介电强度 (Dielectric Strength) | 600VAC / 1s |
| 绝缘电阻 (Insulation Resistance) | 100MΩ ,500VDC |
| 环境温度 (Ambient Temperature) | -20· C~+50· C |
| 绝缘等级 (Insulation Class) | Class B |

电性能 (Electrical specifications)

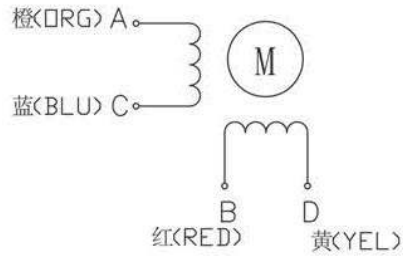
| 型号 (Model No.) | Current /Phase 每相 电流 | Resistance /Phase 每相 电阻 | Inductance /Phase 每相 电感 | Holding Torque 保持 转矩 | Detent Torque 定位 转矩 | # of Leads 引出 线数 | Rotor Inertia 转动 惯量 | Weight 重量 | Length 机身 长度 |
|-----------------------|----------------------------|-------------------------------|-------------------------------|----------------------------|---------------------------|------------------------|---------------------------|--------------|--------------------|
| Single shaft (单出轴) | A | Ω | mH | N.m | N.m | # | g-cm ² | kg | mm |
| FL25STH23-0704A | 0.7 | 4.0 | 2.4 | 0.033 | 0.003 | 4 | 2 | 0.055 | 24±1 |

机械尺寸 (Dimension)



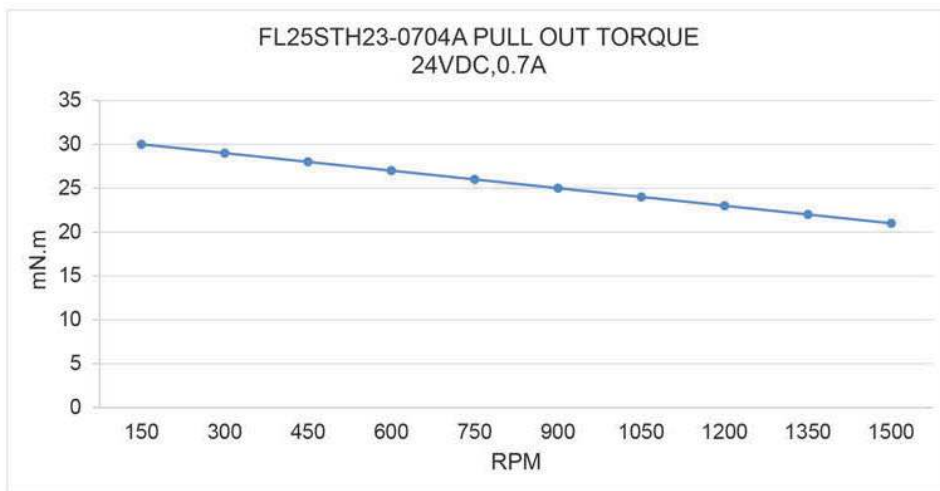
■ 接线图 (Wiring Diagram)

4 线(leads)



A3

■ 矩频曲线 (Pull out torque curve)



该款电机可以根据客户需求定制。

The motor can be designed & manufactured with customized request.

1.8° 28mm

混合式步进电机 Hybrid Stepper Motor

特性概要 (General specification)

选件 Options

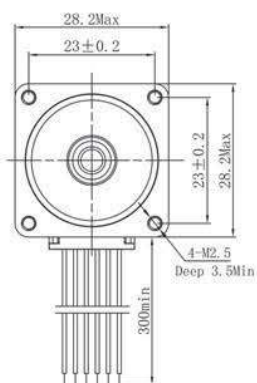
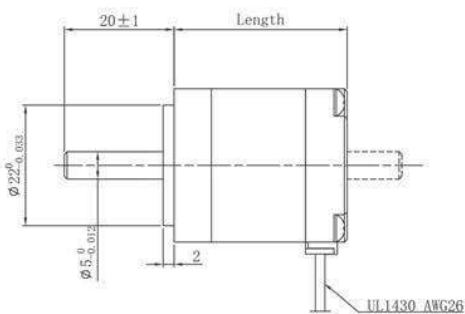


| 项目 (Item) | 说明 (Specifications) |
|------------------------------|-----------------------------------|
| 步距角 (Step Angle) | 1.8° |
| 步距角精度 (Step Angle Accuracy) | ±5% (整步无负载, full step, no load) |
| 径向间隙 (Radial Play) | 0.02mm@400 g |
| 轴向间隙 (Axial Play) | 0.08mm@400 g |
| 最大径向负载 (Max. radial force) | 28N 距法兰 5mm (5mm from the flange) |
| 最大轴向负载 (Max. axial force) | 7N |
| 介电强度 (Dielectric Strength) | 600VAC / 1S |
| 绝缘电阻 (Insulation Resistance) | 100MΩ ,500VDC |
| 环境温度 (Ambient Temperature) | -20° C~+50° C |
| 绝缘等级 (Insulation Class) | Class B |

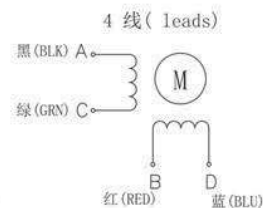
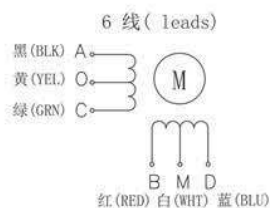
电性能 (Electrical specifications)

| 型号 (Model No.) | Current /Phase 每相 电流 | Resistance /Phase 每相 电阻 | Inductance /Phase 每相 电感 | Holding Torque 保持 转矩 | Detent Torque 定位 转矩 | # of Leads 引出线数 | Rotor Inertia 转动惯量 | Weight 重量 | Length 机身 长度 |
|--------------------|----------------------------|-------------------------------|-------------------------------|----------------------------|---------------------------|--------------------|-----------------------|--------------|--------------------|
| Single shaft (单出轴) | A | Ω | mH | N.m | N.m | # | g-cm ² | kg | mm |
| FL28STH32-0674A | 0.67 | 5.6 | 3.4 | 0.060 | 0.005 | 4 | 9 | 0.11 | 32max |
| FL28STH32-0956A | 0.95 | 2.8 | 1.0 | 0.043 | 0.005 | 6 | 9 | 0.11 | 32 max |
| FL28STH45-0674A | 0.67 | 6.8 | 4.9 | 0.095 | 0.006 | 4 | 12 | 0.14 | 45 max |
| FL28STH45-0956A | 0.95 | 3.4 | 1.2 | 0.075 | 0.006 | 6 | 12 | 0.14 | 45 max |
| FL28STH51-0674A | 0.67 | 9.2 | 7.2 | 0.120 | 0.008 | 4 | 18 | 0.20 | 51 max |
| FL28STH51-0956A | 0.95 | 4.6 | 1.8 | 0.090 | 0.008 | 6 | 18 | 0.20 | 51 max |

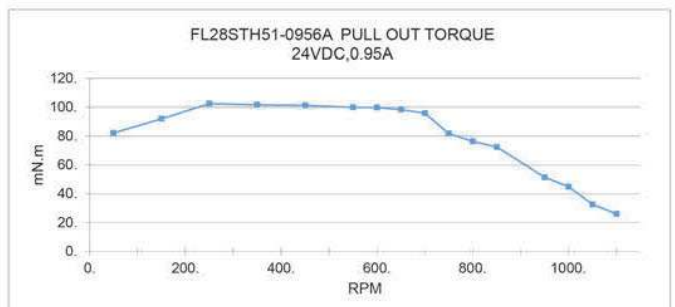
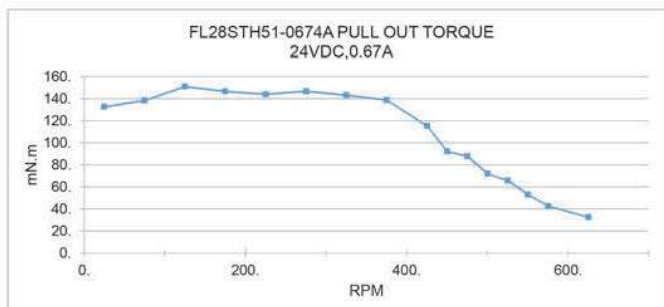
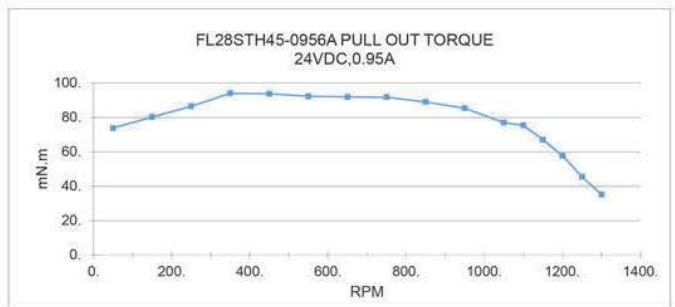
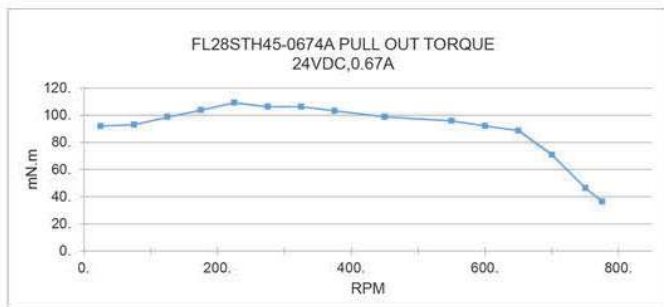
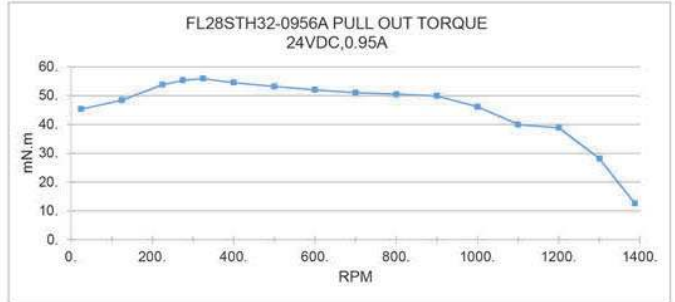
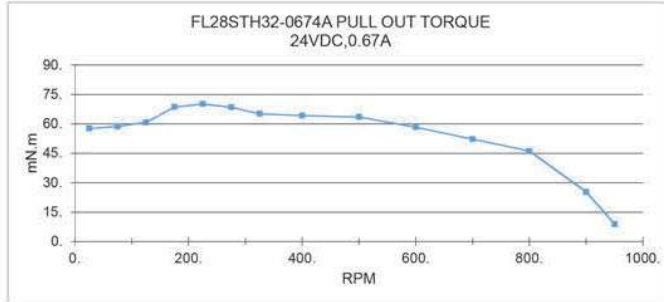
机械尺寸 (Dimension)



接线图 (Wiring Diagram)



■ 矩频曲线 (Pull out torque curve)



A3

该款电机可以根据客户需求定制。

The motor can be designed & manufactured with customized request.

1.8° 35mm

混合式步进电机 Hybrid Stepper Motor

特性概要 (General specification)

选件 Options

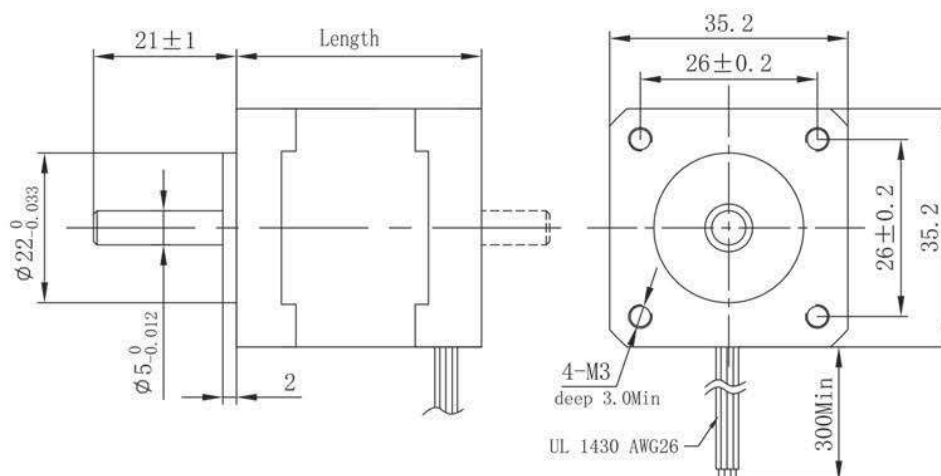


| 项目 (Item) | 说明 (Specifications) |
|--------------------------------|-------------------------------------|
| 步距角 (Step Angle) | 1.8° |
| 步距角精度 (Step Angle Accuracy) | ±5% (整步无负载, full step, no load) |
| 径向间隙 (Radial Play) | 0.02mm@450 g |
| 轴向间隙 (Axial Play) | 0.08mm@450 g |
| 最大径向负载 (Max. radial force) | 28N 距法兰 20mm (20mm from the flange) |
| 最大轴向负载 (Max. axial force) | 10N |
| 介电强度 (Dielectric Strength) | 600VAC / 1s |
| 绝缘电阻 (Insulation Resistance) | 100MΩ ,500VDC |
| 环境温度 (Ambient Temperature) | -20· C~+50· C |
| 绝缘等级 (Insulation Class) | Class B |

电性能 (Electrical specifications)

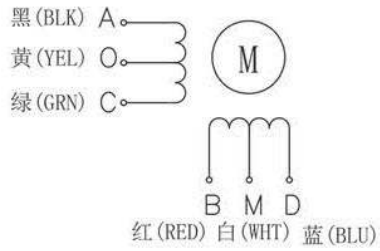
| 型号 (Model No.) | Current /Phase 每相 电流 | Resistance /Phase 每相 电阻 | Inductance /Phase 每相 电感 | Holding Torque 保持 转矩 | Detent Torque 定位 转矩 | # of Leads 引出 线数 | Rotor Inertia 转动 惯量 | Weight 重量 | Length 机身 长度 |
|-----------------------|----------------------------|-------------------------------|-------------------------------|----------------------------|---------------------------|------------------------|---------------------------|--------------|--------------------|
| Single shaft (单出轴) | A | Ω | mH | N.m | N.m | # | g-cm ² | kg | mm |
| FL35ST26-0284A | 0.28 | 26 | 27 | 0.07 | 0.006 | 4 | 10 | 0.13 | 26±1 |
| FL35ST28-0504A | 0.5 | 20 | 14 | 0.1 | 0.008 | 4 | 11 | 0.14 | 28±1 |
| FL35ST36-1004A | 1.0 | 2.7 | 4.3 | 0.14 | 0.01 | 4 | 14 | 0.18 | 36±1 |

机械尺寸 (Dimension)

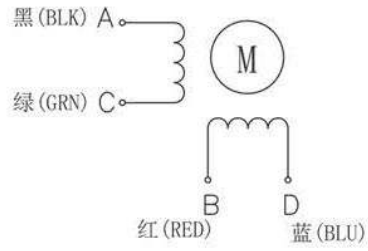


■ 接线图 (Wiring Diagram)

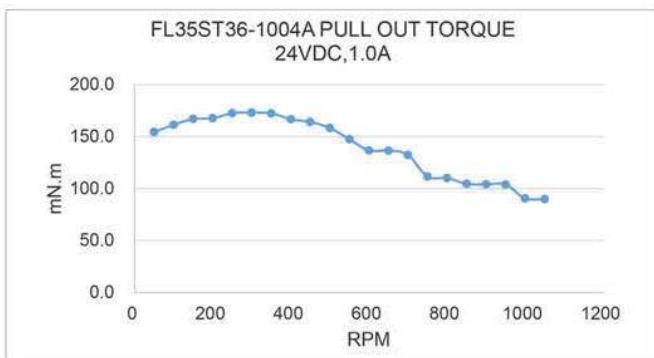
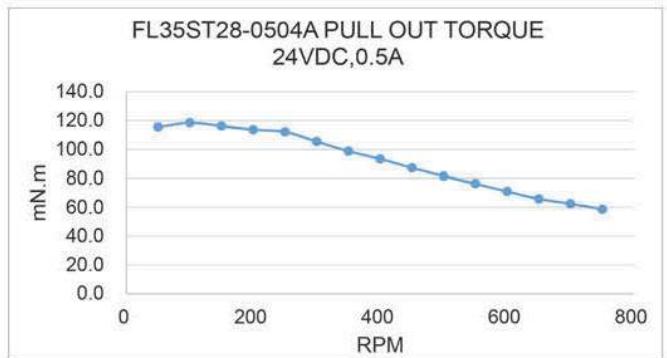
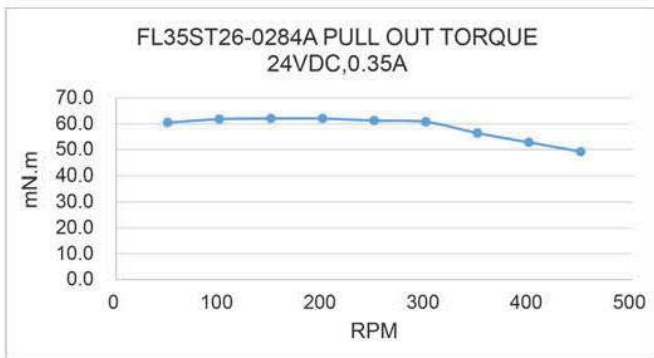
6 线 (leads)



4 线 (leads)



■ 矩频曲线 (Pull out torque curve)



该款电机可以根据客户需求定制。

The motor can be designed & manufactured with customized request.

特性概要 (General specification)

选件 Options



接插件

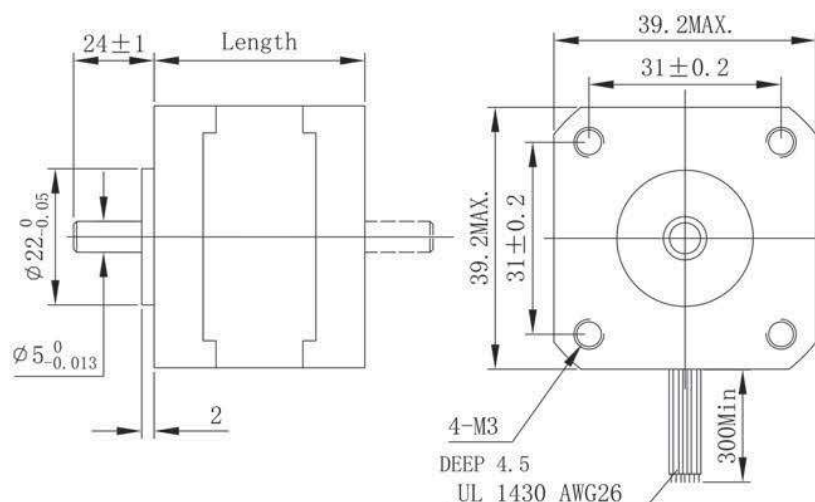


| 项目 (Item) | 说明 (Specifications) |
|--------------------------------|-------------------------------------|
| 步距角 (Step Angle) | 1.8° |
| 步距角精度 (Step Angle Accuracy) | ±5% (整步无负载, full step, no load) |
| 径向间隙 (Radial Play) | 0.02mm@450 g |
| 轴向间隙 (Axial Play) | 0.08mm@450 g |
| 最大径向负载 (Max. radial force) | 28N 距法兰 20mm (20mm from the flange) |
| 最大轴向负载 (Max. axial force) | 10N |
| 介电强度 (Dielectric Strength) | 600VAC / 1s |
| 绝缘电阻 (Insulation Resistance) | 100MΩ ,500VDC |
| 环境温度 (Ambient Temperature) | -20· C~+50· C |
| 绝缘等级 (Insulation Class) | Class B |

电性能 (Electrical specifications)

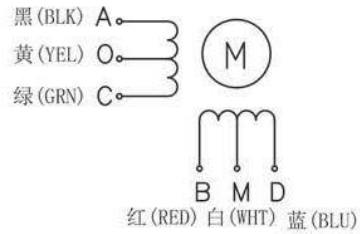
| 型号 (Model No.) | Current /Phase 每相 电流 | Resistance /Phase 每相 电阻 | Inductance /Phase 每相 电感 | Holding Torque 保持 转矩 | Detent Torque 定位 转矩 | # of Leads 引出 线数 | Rotor Inertia 转动 惯量 | Weight 重量 | Length 机身 长度 |
|----------------------|-------------------------------|----------------------------------|----------------------------------|-------------------------------|------------------------------|---------------------------|------------------------------|--------------|--------------------|
| | A | Ω | mH | N.m | N.m | # | g·cm ² | kg | mm |
| Single shaft (单出轴) | | | | | | | | | |
| FL39ST20-0404A | 0.4 | 6.6 | 6.0 | 0.065 | 0.005 | 4 | 11 | 0.12 | 20 |
| FL39ST20-0506A | 0.5 | 15 | 6.0 | 0.065 | | 6 | | | |
| FL39ST34-0404A | 0.4 | 30 | 43 | 0.21 | 0.012 | 4 | 20 | 0.18 | 34 |
| FL39ST34-0306A | 0.3 | 34 | 20 | 0.13 | | 6 | | | |
| FL39ST38-0504A | 0.5 | 22 | 40 | 0.29 | 0.018 | 4 | 24 | 0.2 | 38 |
| FL39ST38-0806A | 0.8 | 7.5 | 8 | 0.2 | | 6 | | | |
| FL39ST44-0304A | 0.3 | 40 | 60 | 0.28 | 0.025 | 4 | 40 | 0.25 | 44 |

机械尺寸 (Dimension)

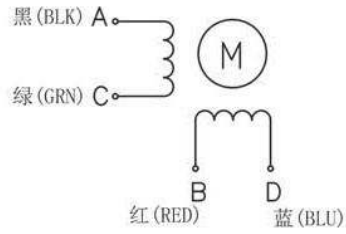


■ 接线图 (Wiring Diagram)

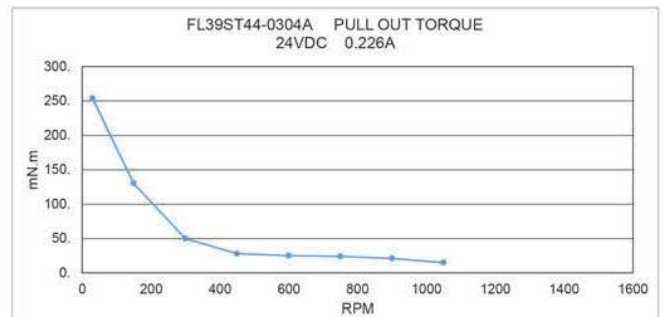
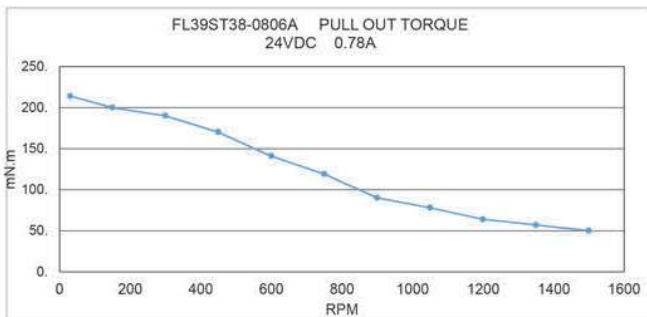
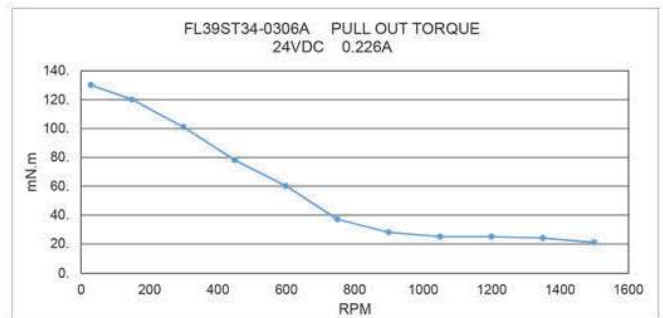
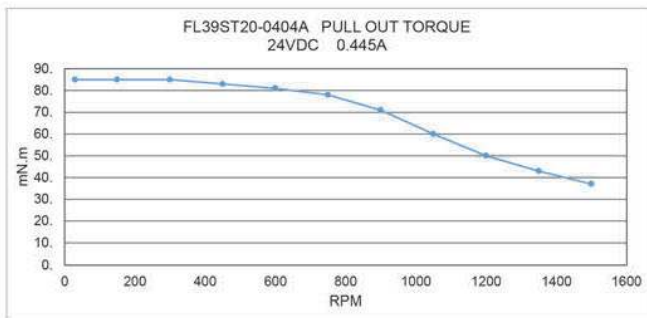
6 线 (leads)



4 线 (leads)



■ 矩频曲线 (Pull out torque curve)



该款电机可以根据客户需求定制。

The motor can be designed & manufactured with customized request.

1.8° 39mm

大力矩混合式步进电机 High Torque Hybrid Stepper Motor

特性概要 (General specification)



选件 Options

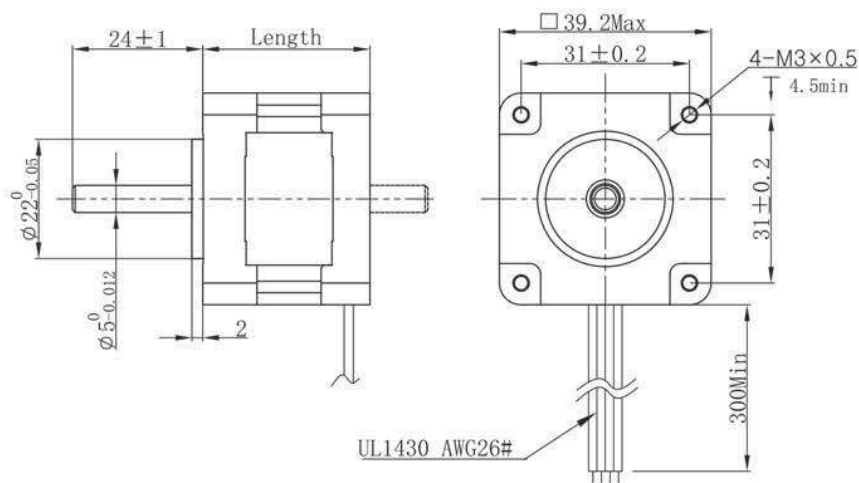


| 项目 (Item) | 说明 (Specifications) |
|--------------------------------|-------------------------------------|
| 步距角 (Step Angle) | 1.8° |
| 步距角精度 (Step Angle Accuracy) | ±5% (整步无负载, full step, no load) |
| 径向间隙 (Radial Play) | 0.02mm@450 g |
| 轴向间隙 (Axial Play) | 0.08mm@450 g |
| 最大径向负载 (Max. radial force) | 28N 距法兰 20mm (20mm from the flange) |
| 最大轴向负载 (Max. axial force) | 10N |
| 介电强度 (Dielectric Strength) | 600VAC / 1s |
| 绝缘电阻 (Insulation Resistance) | 100MΩ ,500VDC |
| 环境温度 (Ambient Temperature) | -20· C~+50· C |
| 绝缘等级 (Insulation Class) | Class B |

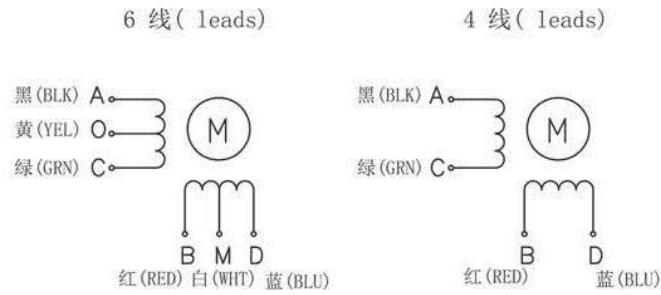
电性能 (Electrical specifications)

| 型号 (Model No.) | Current /Phase 每相 电流 | Resistance /Phase 每相 电阻 | Inductance /Phase 每相 电感 | Holding Torque 保持 转矩 | Detent Torque 定位 转矩 | # of Leads 引出 线数 | Rotor Inertia 转动 惯量 | Weight 重量 | Length 机身 长度 |
|------------------|----------------------------|-------------------------------|-------------------------------|----------------------------|---------------------------|------------------------|---------------------------|--------------|--------------------|
| | A | Ω | mH | N.m | N.m | # | g·cm ² | kg | mm |
| FL39STH20-0404A | 0.4 | 6.6 | 7.0 | 0.085 | 0.008 | 15 | 0.12 | 50 | 20 |
| FL39STH34-0306A | 0.3 | 40 | 30 | 0.18 | 0.01 | 30 | 0.18 | 120 | 31 |
| FL39STH38-0504A | 0.5 | 24 | 50 | 0.36 | 0.012 | 44 | 0.2 | 180 | 38 |

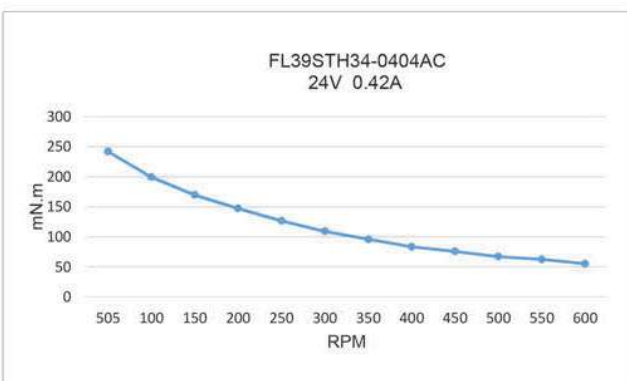
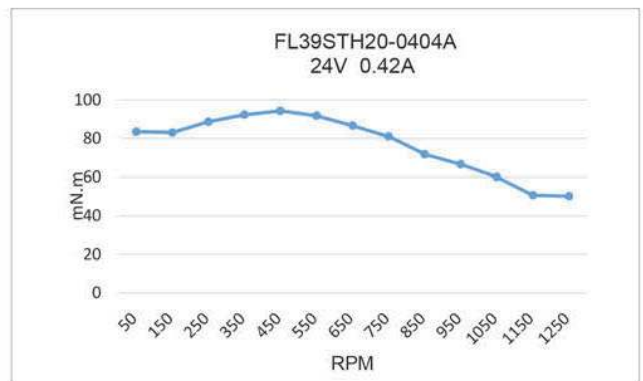
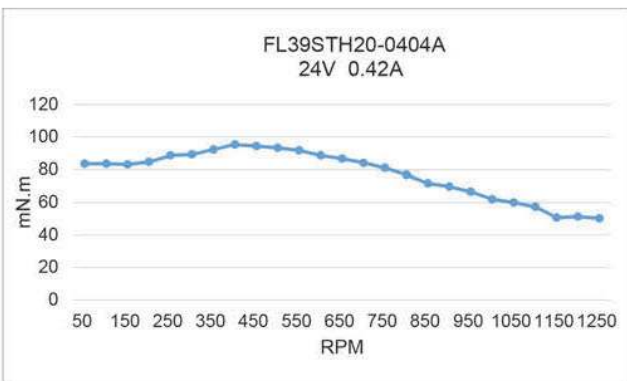
机械尺寸 (Dimension)



接线图 (Wiring Diagram)



矩频曲线 (Pull out torque curve)



该款电机可以根据客户需求定制。

The motor can be designed & manufactured with customized request.

1.8° 42mm

大力矩混合式步进电机 High Torque Hybrid Stepper Motor

特性概要 (General specification)

选件 Options

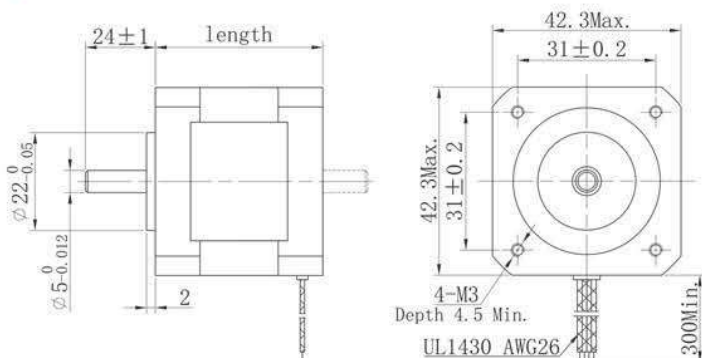


| 项目 (Item) | 说明 (Specifications) |
|--------------------------------|-------------------------------------|
| 步距角 (Step Angle) | 1.8° |
| 步距角精度 (Step Angle Accuracy) | ±5% (整步无负载, full step, no load) |
| 径向间隙 (Radial Play) | 0.02mm@450 g |
| 轴向间隙 (Axial Play) | 0.08mm@450 g |
| 最大径向负载 (Max. radial force) | 28N 距法兰 20mm (20mm from the flange) |
| 最大轴向负载 (Max. axial force) | 10N |
| 介电强度 (Dielectric Strength) | 600VAC / 1s |
| 绝缘电阻 (Insulation Resistance) | 100MΩ ,500VDC |
| 环境温度 (Ambient Temperature) | -20· C~+50· C |
| 绝缘等级 (Insulation Class) | Class B |

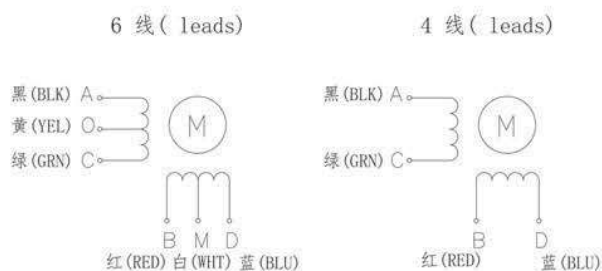
电性能 (Electrical specifications)

| 型号 (Model No.) | Current /Phase 每相 电流 | Resistance /Phase 每相 电阻 | Inductance /Phase 每相 电感 | Holding Torque 保持 转矩 | Detent Torque 定位 转矩 | # of Leads 引出 线数 | Rotor Inertia 转动 惯量 | Weight 重量 | Length 机身 长度 |
|-------------------------|----------------------------|-------------------------------|-------------------------------|----------------------------|---------------------------|------------------------|---------------------------|--------------|--------------------|
| Single shaft (单出轴) | A | Ω | mH | N.m | N.m | # | g·cm ² | kg | mm |
| FL42STH25-0404A | 0.4 | 24 | 30 | 0.17 | 0.0075 | 4 | 20 | 0.15 | 26±1 |
| FL42STH33-0956A | 0.95 | 4.2 | 2.5 | 0.16 | 0.012 | 6 | 35 | 0.22 | 33.5±1 |
| FL42STH33-1334A | 1.33 | 2.1 | 2.5 | 0.22 | | 4 | | | |
| FL42STH38-1206A | 1.2 | 3.3 | 3.2 | 0.26 | 0.015 | 6 | 54 | 0.28 | 39.5±1 |
| FL42STH38-1684A | 1.68 | 1.65 | 3.2 | 0.36 | | 4 | | | |
| FL42STH47-1206A | 1.2 | 3.3 | 2.8 | 0.317 | 0.02 | 6 | 68 | 0.35 | 47.5±1 |
| FL42STH47-1684A | 1.68 | 1.65 | 2.8 | 0.44 | | 4 | | | |
| FL42STH60-1206A | 1.2 | 6 | 7 | 0.56 | 0.028 | 6 | 102 | 0.5 | 60±1 |

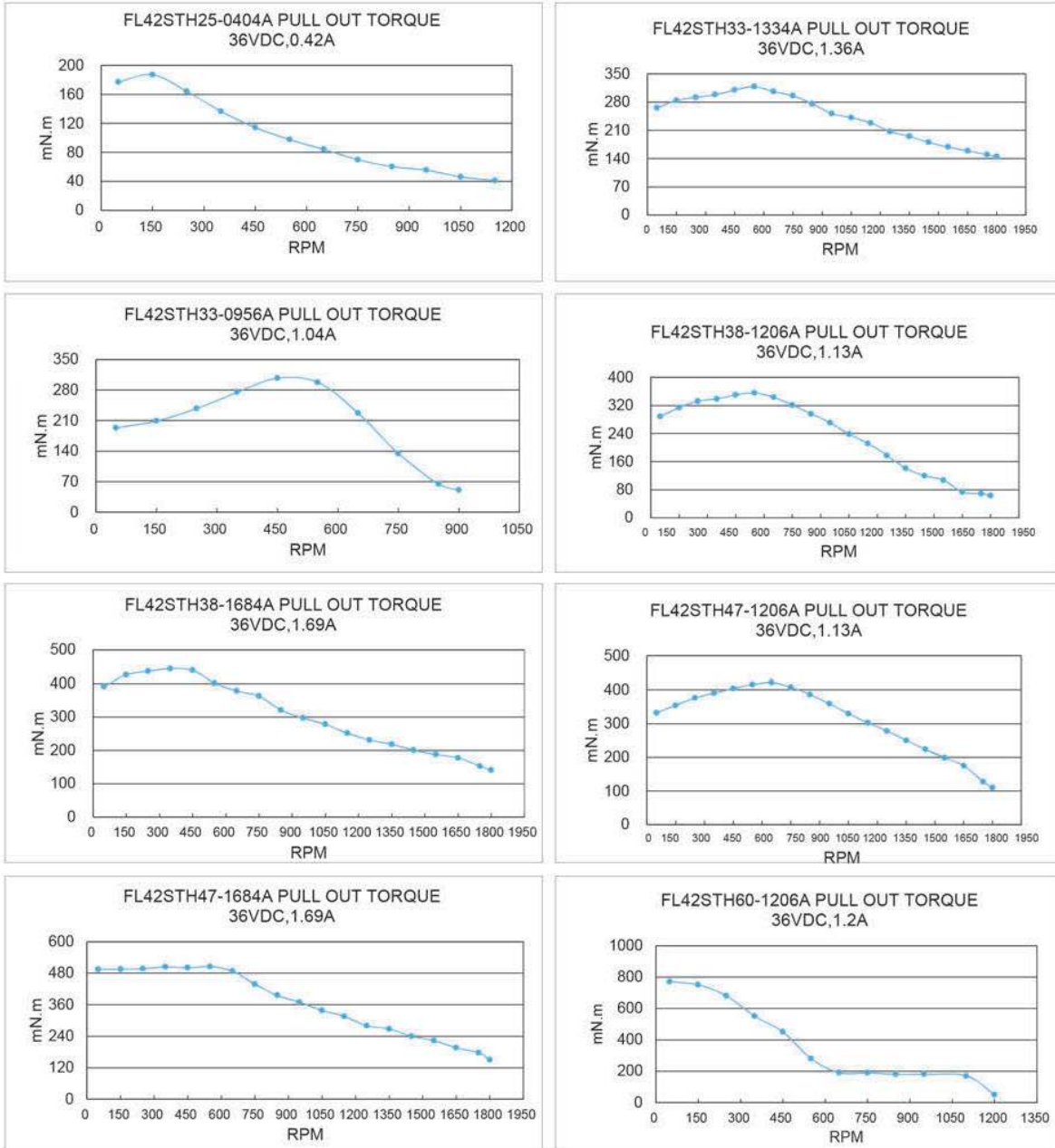
机械尺寸 (Dimension)



接线图 (Wiring Diagram)



■ 矩频曲线 (Pull out torque curve)



该款电机可以根据客户需求定制。

The motor can be designed & manufactured with customized request.

1.8° 57mm

混合式步进电机 Hybrid Stepper Motor

特性概要 (General specification)

选件 Options

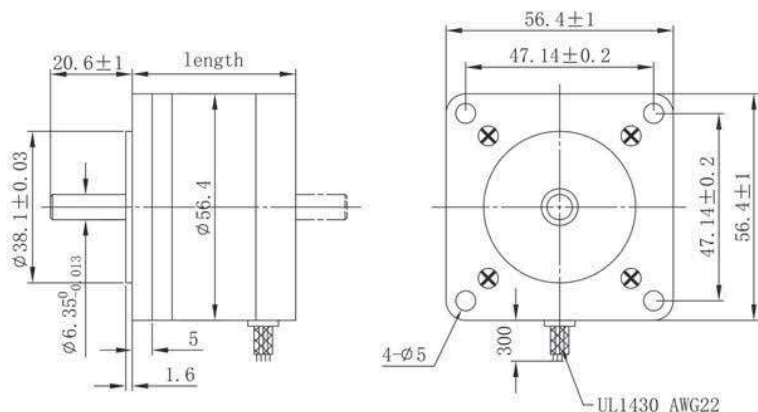


| 项目 (Item) | 说明 (Specifications) |
|--------------------------------|-------------------------------------|
| 步距角 (Step Angle) | 1.8° |
| 步距角精度 (Step Angle Accuracy) | ±5% (整步无负载, full step, no load) |
| 径向间隙 (Radial Play) | 0.02mm@450 g |
| 轴向间隙 (Axial Play) | 0.08mm@450 g |
| 最大径向负载 (Max. radial force) | 75N 距法兰 20mm (20mm from the flange) |
| 最大轴向负载 (Max. axial force) | 15N |
| 介电强度 (Dielectric Strength) | 600VAC / 1s |
| 绝缘电阻 (Insulation Resistance) | 100MΩ ,500VDC |
| 环境温度 (Ambient Temperature) | -20· C~+50· C |
| 绝缘等级 (Insulation Class) | Class B |

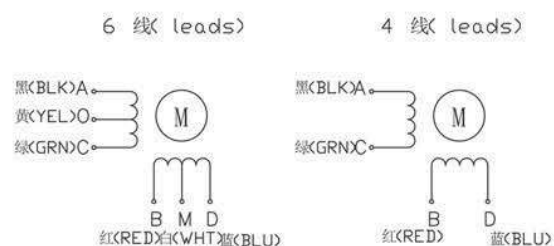
电性能 (Electrical specifications)

| 型号 (Model No.) | Current /Phase 每相 电流 | Resistance /Phase 每相 电阻 | Inductance /Phase 每相 电感 | Holding Torque 保持 转矩 | Detent Torque 定位 转矩 | # of Leads 引出 线数 | Rotor Inertia 转动 惯量 | Weight 重量 | Length 机身 长度 |
|-------------------------|----------------------------|-------------------------------|-------------------------------|----------------------------|---------------------------|------------------------|---------------------------|--------------|--------------------|
| Single shaft (单出轴) | A | Ω | mH | N.m | N.m | # | g·cm ² | kg | mm |
| FL57ST41-1106A | 1.1 | 3.6 | 4.0 | 0.28 | 0.018 | 6 | 57 | 0.54 | 41±1 |
| FL57ST51-2804A | 2.8 | 0.85 | 2.1 | 0.69 | 0.035 | 4 | 110 | 0.6 | 51±1 |
| FL57ST56-2554A | 2.55 | 1.1 | 3.6 | 0.84 | 0.042 | 4 | 135 | 0.65 | 56±1 |
| FL57ST76-1506A | 1.5 | 3.6 | 6.0 | 0.9 | 0.072 | 6 | 200 | 0.95 | 76±1 |

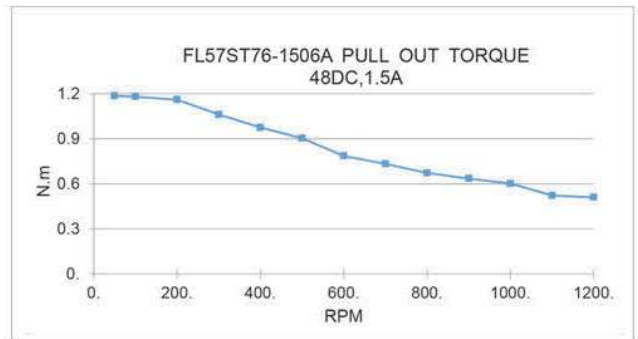
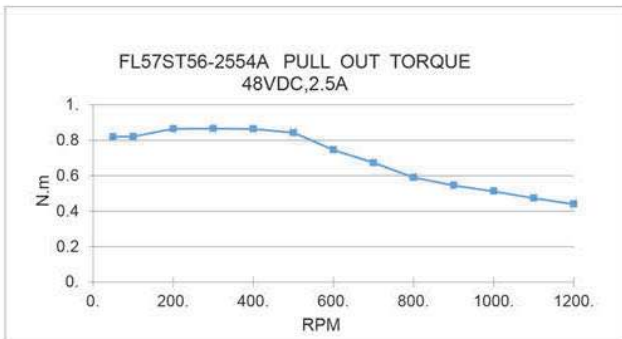
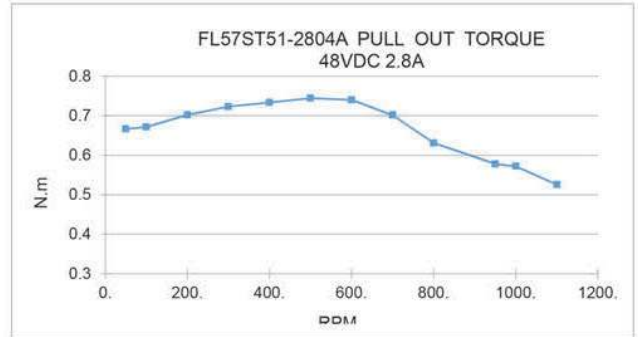
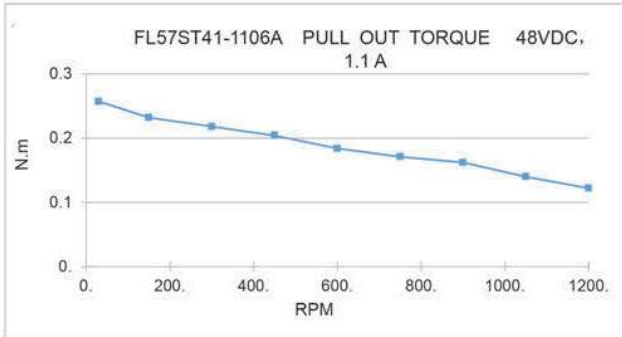
机械尺寸 (Dimension)



接线图 (Wiring Diagram)



■ 矩频曲线 (Pull out torque curve)



A3

该款电机可以根据客户需求定制。

The motor can be designed & manufactured with customized request.

1.8° 57mm

混合式步进电机 Hybrid Stepper Motor

特性概要 (General specification)

选件 Options



接插件 齿轮箱 编码器 刹车

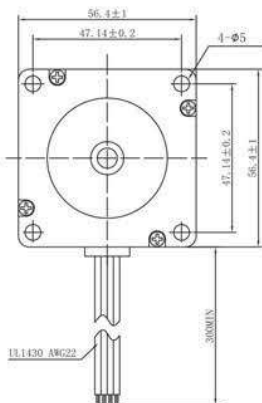
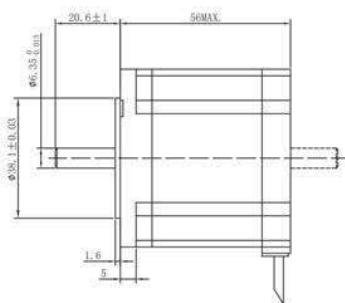


| 项目 (Item) | 说明 (Specifications) |
|--------------------------------|-------------------------------------|
| 步距角 (Step Angle) | 1.8° |
| 步距角精度 (Step Angle Accuracy) | ±5% (整步, 空载) |
| 径向间隙 (Radial Play) | 0.02mm@450 g |
| 轴向间隙 (Axial Play) | 0.08mm@450 g |
| 最大径向负载 (Max. radial force) | 75N 距法兰 20mm (20mm from the flange) |
| 最大轴向负载 (Max. axial force) | 15N |
| 介电强度 (Dielectric Strength) | 600VAC / 1S |
| 绝缘电阻 (Insulation Resistance) | 100MΩ ,500VDC |
| 环境温度 (Ambient Temperature) | -20° C~+50° C |
| 绝缘等级 (Insulation Class) | Class B |

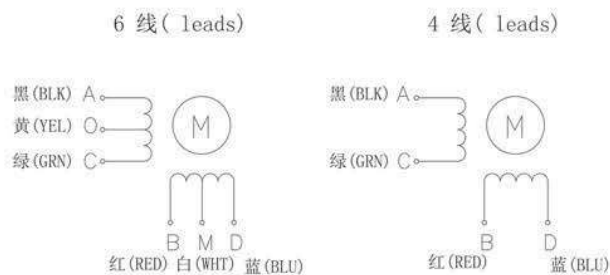
电性能 (Electrical specifications)

| 型号 (Model No.) | Current /Phase 每相 电流 | Resistance /Phase 每相 电阻 | Inductance /Phase 每相 电感 | Holding Torque 保持 转矩 | Detent Torque 定位 转矩 | # of Leads 引出 线数 | Rotor Inertia 转动 惯量 | Weight 重量 | Length 机身 长度 |
|----------------------|----------------------------|-------------------------------|-------------------------------|----------------------------|---------------------------|------------------------|---------------------------|--------------|--------------------|
| Single shaft (单出轴) | A | Ω | mH | N.m | N.m | # | g-cm ² | kg | mm |
| FL57STH41-2006A | 2.0 | 1.4 | 1.4 | 0.39 | 0.02 | 6 | 120 | 0.45 | 40±1 |
| FL57STH41-2804A | 2.8 | 0.7 | 1.4 | 0.55 | 0.02 | 4 | 120 | 0.45 | 40±1 |
| FL57STH51-2006A | 2.0 | 1.65 | 2.2 | 0.72 | 0.035 | 6 | 275 | 0.65 | 50±1 |
| FL57STH51-2804A | 2.8 | 0.83 | 2.2 | 1.0 | 0.035 | 4 | 275 | 0.65 | 50±1 |
| FL57STH56-2006A | 2.0 | 1.8 | 2.5 | 0.9 | 0.04 | 6 | 300 | 0.7 | 54±1 |
| FL57STH56-2804A | 2.8 | 0.9 | 2.5 | 1.26 | 0.04 | 4 | 300 | 0.7 | 54±1 |
| FL57STH76-2006A | 2.0 | 2.25 | 3.6 | 1.35 | 0.068 | 6 | 480 | 1.0 | 75±1 |
| FL57STH76-2804A | 2.8 | 1.13 | 3.6 | 1.89 | 0.068 | 4 | 480 | 1.0 | 75±1 |
| FL57STH115-2804A | 2.8 | 2.1 | 10 | 3.0 | 0.1 | 4 | 650 | 1.8 | 115±1 |

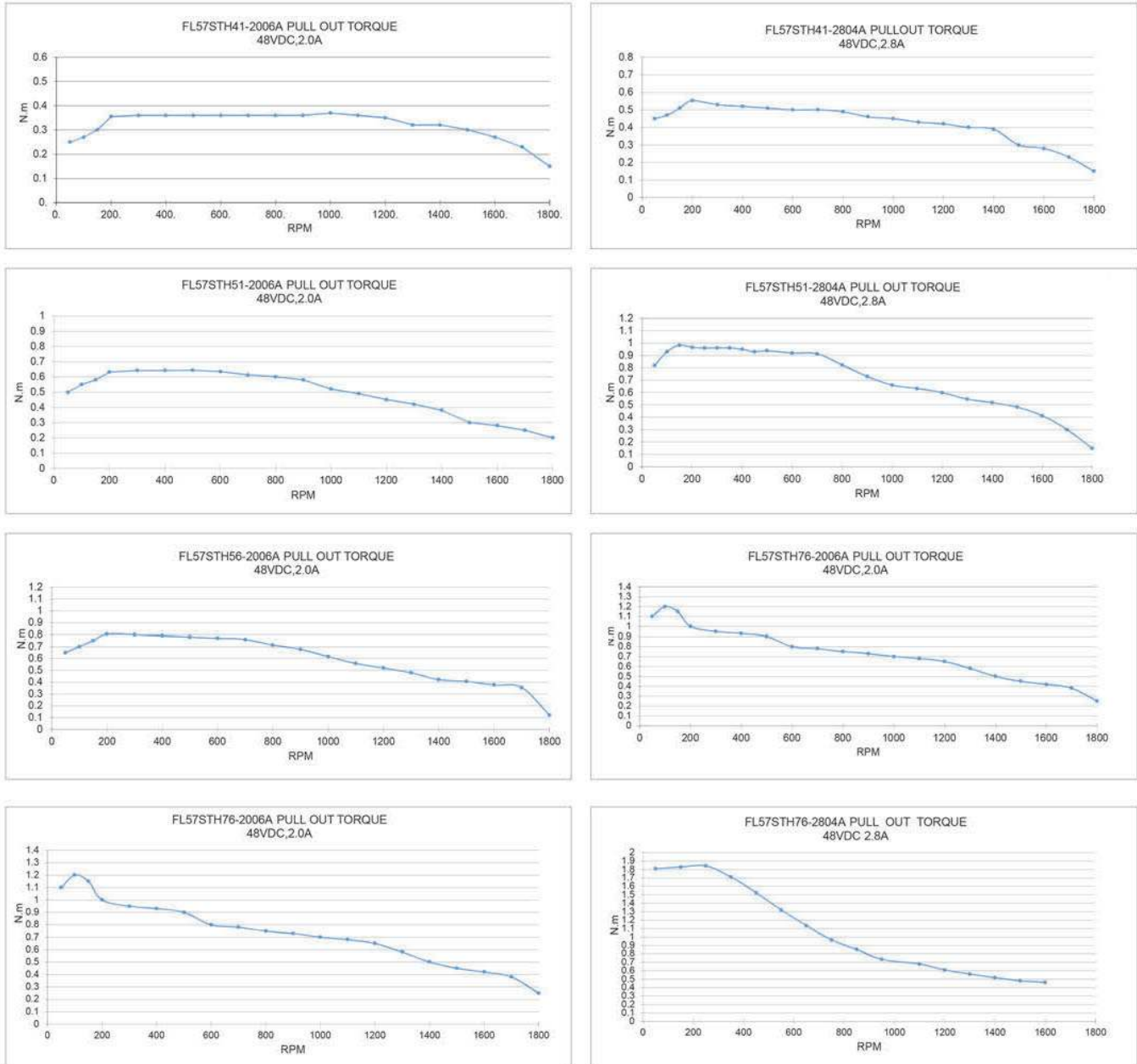
机械尺寸 (Dimension)



接线图 (Wiring Diagram)



■ 矩频曲线 (Pull out torque curve)



A3

该款电机可以根据客户需求定制。

The motor can be designed & manufactured with customized request.

特性概要 (General specification)

选件 Options

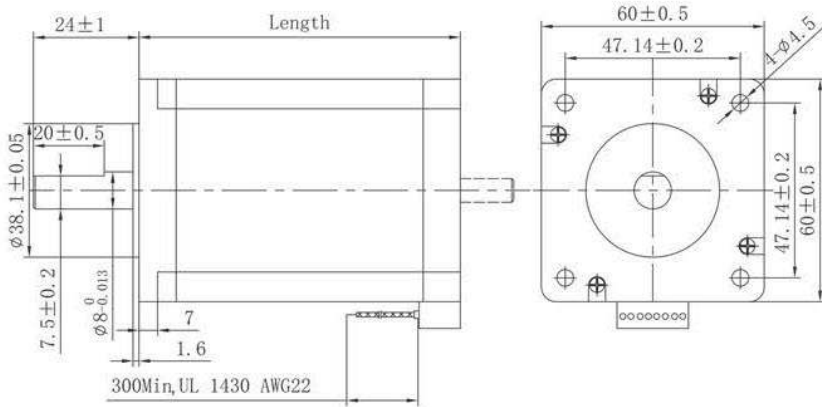


| 项目 (Item) | 说明 (Specifications) |
|--------------------------------|-------------------------------------|
| 步距角 (Step Angle) | 1.8° |
| 步距角精度 (Step Angle Accuracy) | ±5% (整步无负载, full step, no load) |
| 径向间隙 (Radial Play) | 0.02mm@450 g |
| 轴向间隙 (Axial Play) | 0.08mm@450 g |
| 最大径向负载 (Max. radial force) | 75N 距法兰 20mm (20mm from the flange) |
| 最大轴向负载 (Max. axial force) | 15N |
| 介电强度 (Dielectric Strength) | 600VAC / 1s |
| 绝缘电阻 (Insulation Resistance) | 100MΩ ,500VDC |
| 环境温度 (Ambient Temperature) | -20°C~+50°C |
| 绝缘等级 (Insulation Class) | Class B |

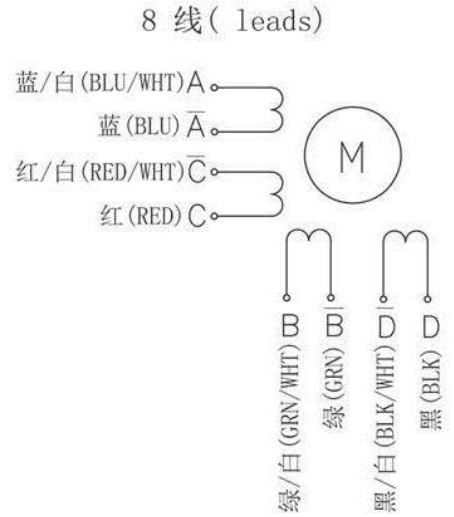
电性能 (Electrical specifications)

| 型号 (Model No.) | | Current /Phase 每相 电流 | Resistance /Phase 每相 电阻 | Inductance /Phase 每相 电感 | Holding Torque 保持 转矩 | Detent Torque 定位 转矩 | # of Leads 引出 线数 | Rotor Inertia 转动 惯量 | Weight 重量 | Length 机身 长度 |
|------------------|---------------|----------------------------|-------------------------------|-------------------------------|----------------------------|---------------------------|------------------------|---------------------------|--------------|--------------------|
| 单轴(Single shaft) | | A | Ω | mH | N.m | N.m | # | g-cm ² | kg | mm |
| FL60STH45-2008AF | 单极性(unipolar) | 2 | 1.5 | 2 | 0.78 | 0.05 | 8 | 275 | 0.6 | 47±1 |
| | 并联(parallel) | 2.8 | 0.75 | 2 | 1.1 | | | | | |
| | 串联(series) | 1.4 | 3.0 | 8 | 1.1 | | | | | |
| FL60STH56-2008AF | 单极性(unipolar) | 2 | 1.8 | 3.6 | 1.17 | 0.07 | 8 | 400 | 0.77 | 56±1 |
| | 并联(parallel) | 2.8 | 0.9 | 3.6 | 1.65 | | | | | |
| | 串联(series) | 1.4 | 3.6 | 14.4 | 1.65 | | | | | |
| FL60STH65-2008AF | 单极性(unipolar) | 2 | 2.4 | 4.6 | 1.5 | 0.09 | 8 | 570 | 1.2 | 67±1 |
| | 并联(parallel) | 2.8 | 1.2 | 4.6 | 2.1 | | | | | |
| | 串联(series) | 1.4 | 4.8 | 18.4 | 2.1 | | | | | |
| FL60STH86-2008AF | 单极性(unipolar) | 2 | 3 | 6.8 | 2.1 | 0.12 | 8 | 840 | 1.4 | 88±1 |
| | 并联(parallel) | 2.8 | 1.5 | 6.8 | 3.0 | | | | | |
| | 串联(series) | 1.4 | 6 | 27.2 | 3.0 | | | | | |

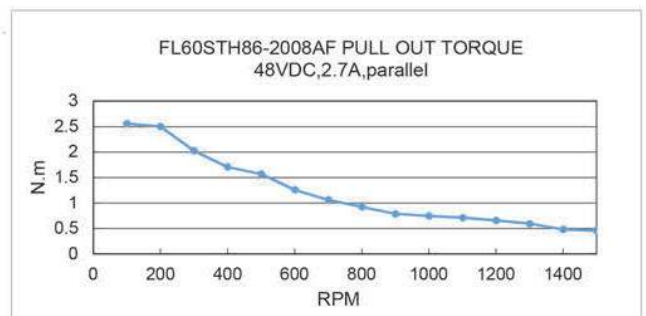
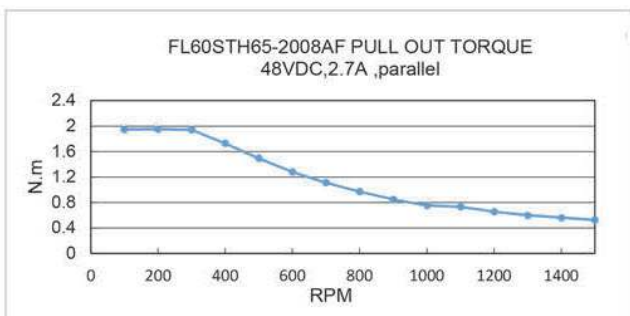
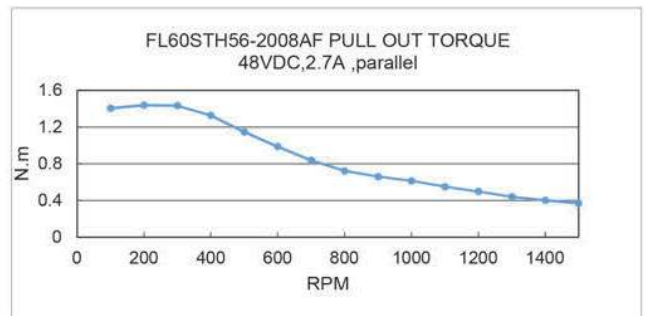
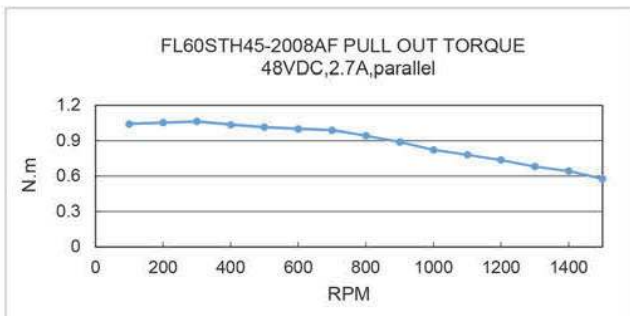
机械尺寸 (Dimension)



接线图 (Wiring Diagram)



矩频曲线 (Pull out torque curve)



该款电机可以根据客户需求定制。

The motor can be designed & manufactured with customized request.

1.8° 86mm

圆形混合式步进电机 Round Hybrid Stepper Motor

特性概要 (General specification)

选件 Options

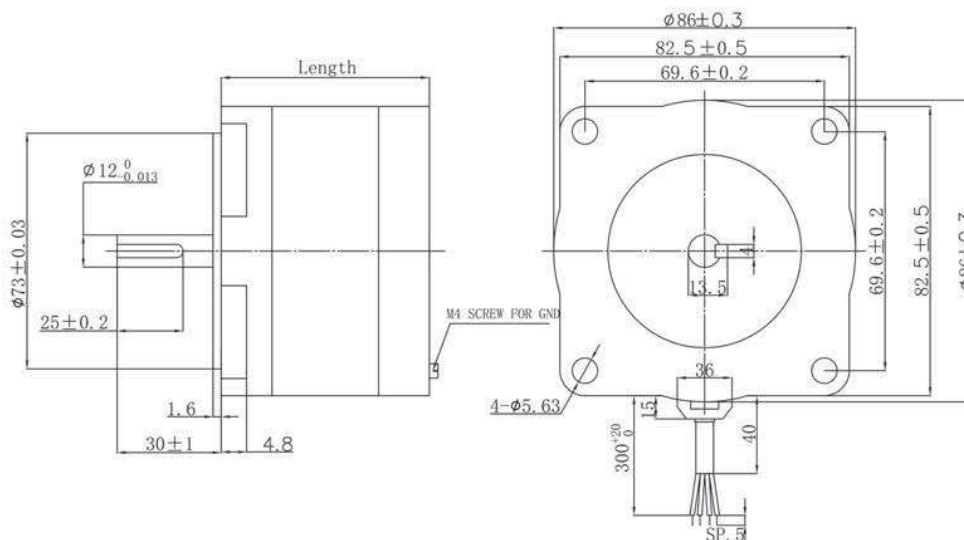


| 项目 (Item) | 说明 (Specifications) |
|--------------------------------|--|
| 步距角 (Step Angle) | 1.8° |
| 步距角精度 (Step Angle Accuracy) | ±5% (整步无负载, full step, no load) |
| 径向间隙 (Radial Play) | 0.02mm@450 g |
| 轴向间隙 (Axial Play) | 0.08mm@450 g |
| 最大径向负载 (Max. radial force) | 220N 距法兰 20mm 220N @ 20mm from the flange |
| 最大轴向负载 (Max. axial force) | 60N |
| 介电强度 (Dielectric Strength) | 820VAC / 1s |
| 绝缘电阻 (Insulation Resistance) | 100MΩ ,500VDC |
| 环境温度 (Ambient Temperature) | -20· C~+50· C |
| 绝缘等级 (Insulation Class) | Class B |

电性能 (Electrical specifications)

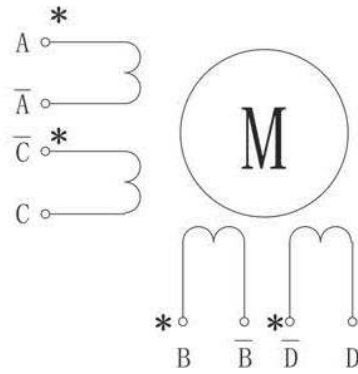
| 型号 (Model No.) | Current /Phase 每相 电流 | Resistance /Phase 每相 电阻 | Inductance /Phase 每相 电感 | Holding Torque 保持 转矩 | Detent Torque 定位 转矩 | # of Leads 引出 线数 | Rotor Inertia 转动 惯量 | Weight 重量 | Length 机身 长度 |
|-----------------------|----------------------------|-------------------------------|-------------------------------|----------------------------|---------------------------|------------------------|---------------------------|--------------|--------------------|
| Single shaft (单出轴) | A | Ω | mH | N.m | N.m | # | g-cm ² | kg | mm |
| FL86ST67-2808AH | 2.8 | 1.3 | 5.1 | 2.8 | 0.12 | 8 | 660 | 1.6 | 67±1 |
| FL86ST94-2808AH | 2.8 | 1.7 | 7.7 | 4.8 | 0.18 | 8 | 1200 | 2.4 | 94±1 |
| FL86ST125-3508AH | 3.5 | 1.42 | 7.9 | 7.6 | 0.23 | 8 | 1800 | 3.6 | 125±1 |

机械尺寸 (Dimension)



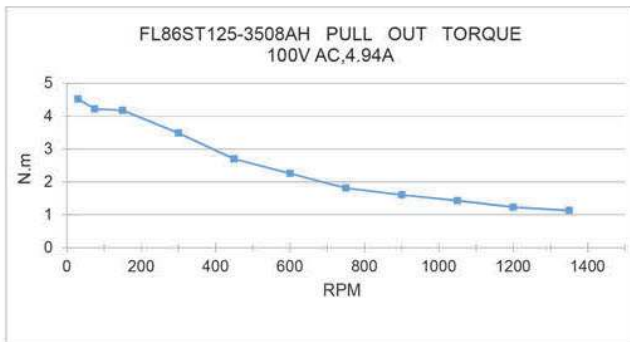
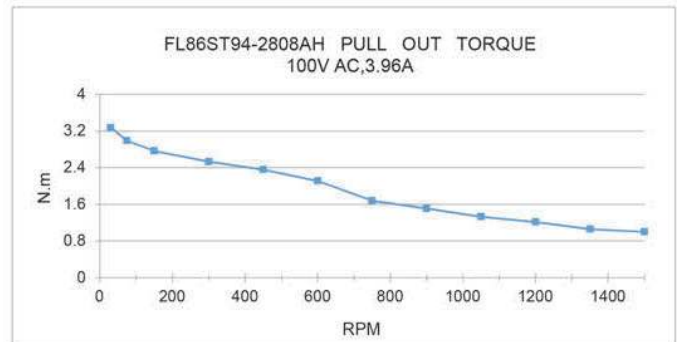
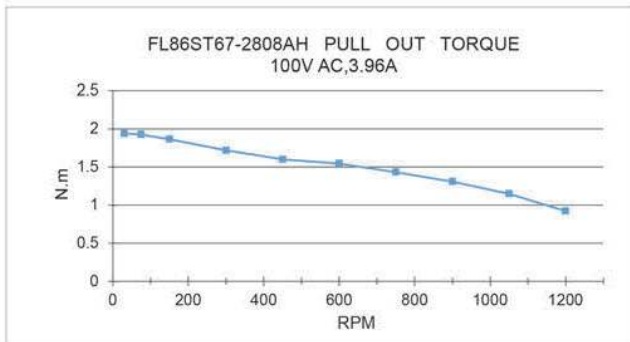
■ 接线图 (Wiring Diagram)

- A: 橙 (ORG)
- \bar{A} : 橙白 (ORG/WHT)
- \bar{C} : 黑白 (BLK/WHT)
- C: 黑 (BLK)
- B: 红 (RED)
- \bar{B} : 红白 (RED/WHT)
- \bar{D} : 黄白 (YEL/WHT)
- D: 黄 (YEL)



* start of the coil

■ 矩频曲线 (Pull out torque curve)



该款电机可以根据客户需求定制。

The motor can be designed & manufactured with customized request.

1.8° 86mm

大力矩混合式步进电机 High Torque Hybrid Stepper Motor

特性概要 (General specification)

选件 Options

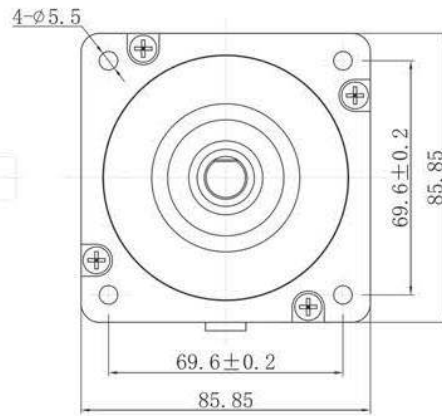
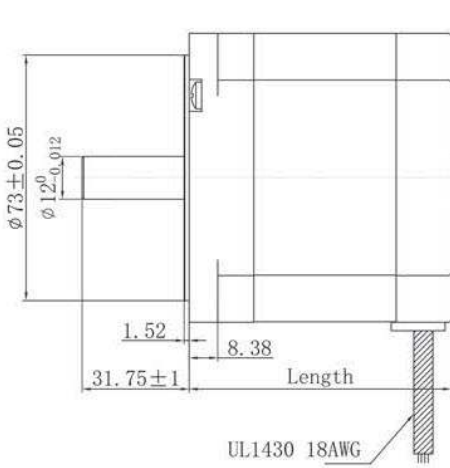


| 项目 (Item) | 说明 (Specifications) |
|--------------------------------|--|
| 步距角 (Step Angle) | 1.8° |
| 步距角精度 (Step Angle Accuracy) | ±5% (整步无负载, full step, no load) |
| 径向间隙 (Radial Play) | 0.02mm@450 g |
| 轴向间隙 (Axial Play) | 0.08mm@450 g |
| 最大径向负载 (Max. radial force) | 220N 距法兰 20mm 220N @ 20mm from the flange |
| 最大轴向负载 (Max. axial force) | 60N |
| 介电强度 (Dielectric Strength) | 1200VAC / 1S |
| 绝缘电阻 (Insulation Resistance) | 100MΩ ,500VDC |
| 环境温度 (Ambient Temperature) | -20· C~+50· C |
| 绝缘等级 (Insulation Class) | Class B |

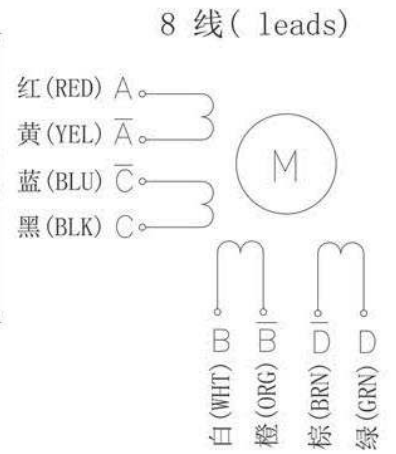
电性能 (Electrical specifications)

| 型号 (Model No.) | | Current /Phase 每相 电流 | Resistance /Phase 每相 电阻 | Inductance /Phase 每相 电感 | Holding Torque 保持 转矩 | Detent Torque 定位 转矩 | # of Leads 引出 线数 | Rotor Inertia 转动 惯量 | Weight 重量 | Length 机身 长度 |
|----------------------|-----------------|----------------------------|-------------------------------|-------------------------------|----------------------------|---------------------------|------------------------|---------------------------|--------------|--------------------|
| Single shaft (单出轴) | | A | Ω | mH | N.m | N.m | # | g·cm ² | kg | mm |
| FL86STH65-2808A | 单极性 unipolar | 2.8 | 1.3 | 3.9 | 2.2 | 0.08 | 8 | 1000 | 1.7 | 65 |
| | 串联 series | 2 | 2.6 | 15.6 | 3.5 | | | | | |
| | 并联 parallel | 4 | 0.65 | 3.9 | 3.5 | | | | | |
| FL86STH80-4208A | 单极性 unipolar | 4.2 | 0.65 | 3 | 3.2 | 0.12 | 8 | 1400 | 2.3 | 80 |
| | 串联 series | 3 | 1.3 | 12 | 4.5 | | | | | |
| | 并联 parallel | 6 | 0.325 | 3 | 4.5 | | | | | |
| FL86STH118-4208A | 单极性 unipolar | 4.2 | 0.99 | 6 | 6 | 0.24 | 8 | 2700 | 3.8 | 118 |
| | 串联 series | 3 | 1.98 | 24 | 8.5 | | | | | |
| | 并联 parallel | 6 | 0.495 | 6 | 8.5 | | | | | |
| FL86STH156-4208A | 单极性 unipolar | 4.2 | 1.25 | 8 | 8.4 | 0.36 | 8 | 4000 | 5.3 | 156 |
| | 串联 series | 3 | 2.5 | 32 | 12 | | | | | |
| | 并联 parallel | 6 | 0.63 | 8 | 12 | | | | | |

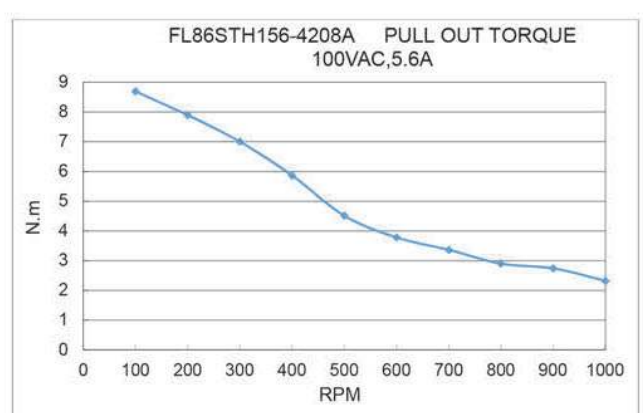
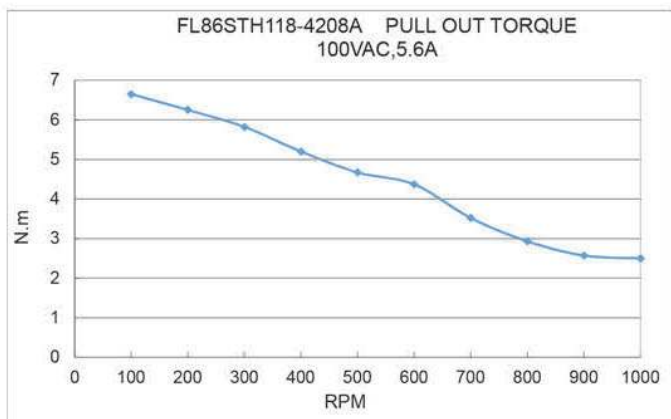
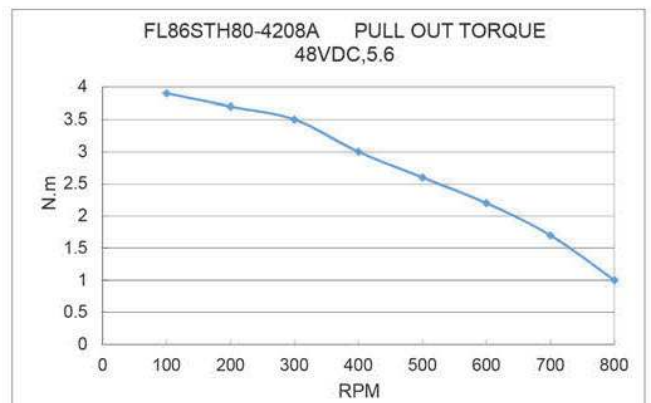
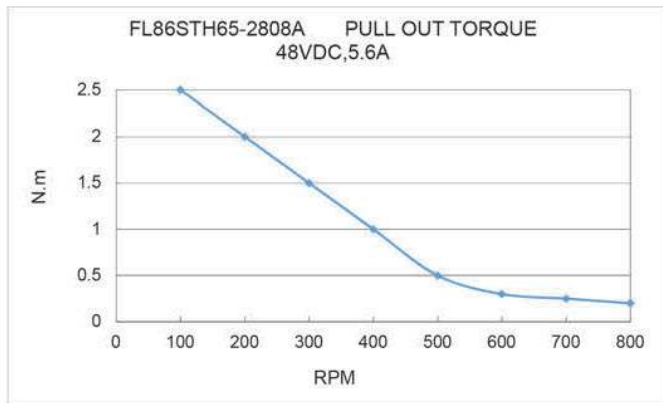
机械尺寸 (Dimension)



接线图 (Wiring Diagram)



矩频曲线 (Pull out torque curve)



该款电机可以根据客户需求定制。

The motor can be designed & manufactured with customized request.

1.8° 110mm

大力矩混合式步进电机 High Torque Hybrid Stepper Motor

特性概要 (General specification)

选件 Options

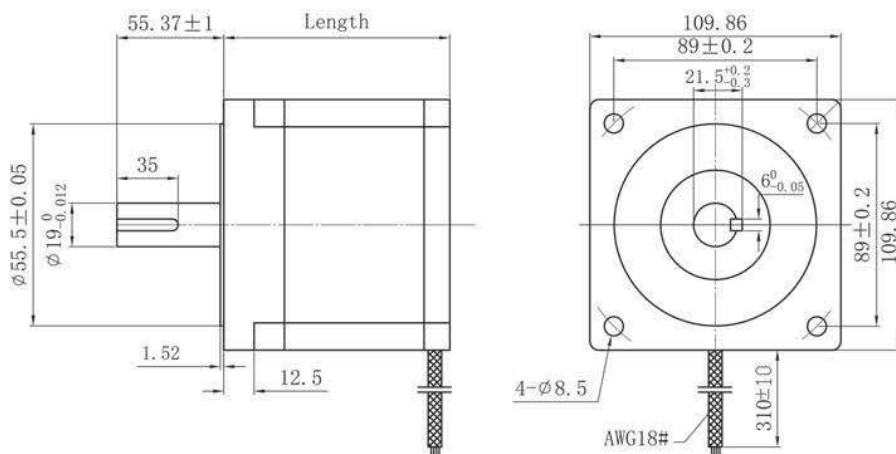


| 项目 (Item) | 说明 (Specifications) |
|--------------------------------|--|
| 步距角 (Step Angle) | 1.8° |
| 步距角精度 (Step Angle Accuracy) | ±5% (整步无负载, full step, no load) |
| 径向间隙 (Radial Play) | 0.02mm@450 g |
| 轴向间隙 (Axial Play) | 0.08mm@450 g |
| 最大径向负载 (Max. radial force) | 330N 距法兰 20mm 330N @ 20mm from the flange |
| 最大轴向负载 (Max. axial force) | 100N |
| 介电强度 (Dielectric Strength) | 1200VAC / 1s |
| 绝缘电阻 (Insulation Resistance) | 100MΩ ,500VDC |
| 环境温度 (Ambient Temperature) | -20°C~+50°C |
| 绝缘等级 (Insulation Class) | Class B |

电性能 (Electrical specifications)

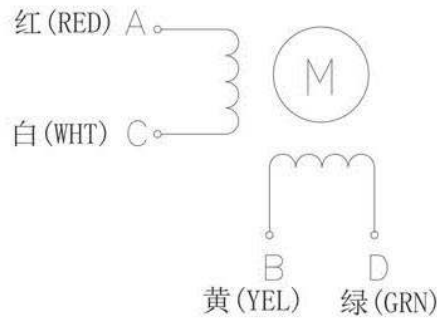
| 型号 (Model No.) | Current /Phase 每相 电流 | Resistance /Phase 每相 电阻 | Inductance /Phase 每相 电感 | Holding Torque 保持 转矩 | Detent Torque 定位 转矩 | # of Leads 引出线数 | Rotor Inertia 转动惯量 | Weight 重量 | Length 机身 长度 |
|-------------------|----------------------------|-------------------------------|-------------------------------|----------------------------|---------------------------|--------------------|-----------------------|--------------|--------------------|
| 单轴(Single shaft) | A | Ω | mH | N.m | N.m | # | kg | kg-cm | mm |
| FL110STH99-5504A | 5.5 | 0.7 | 9.8 | 11.2 | 0.55 | 4 | 5 | 3 | 99±1 |
| FL110STH150-6504A | 6.5 | 0.72 | 11.5 | 21 | 1.09 | 4 | 8.4 | 5.9 | 150±1 |
| FL110STH201-8004A | 8 | 0.67 | 12 | 28 | 1.62 | 4 | 11.7 | 7.5 | 201±1 |

机械尺寸 (Dimension)



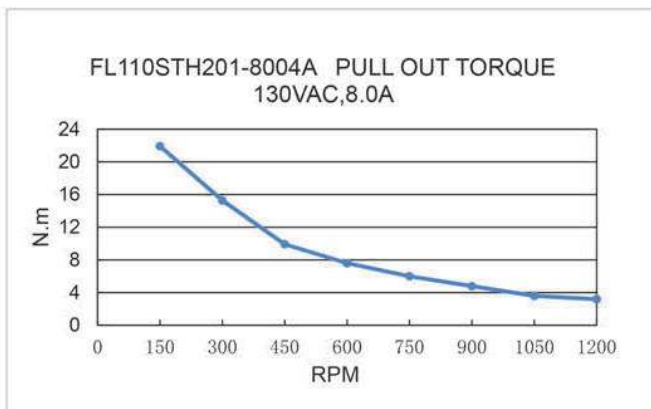
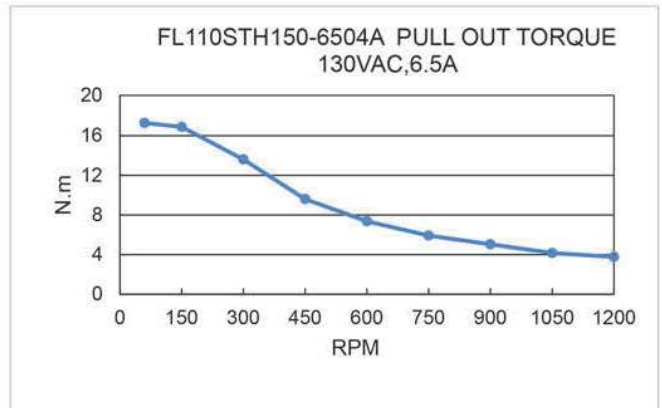
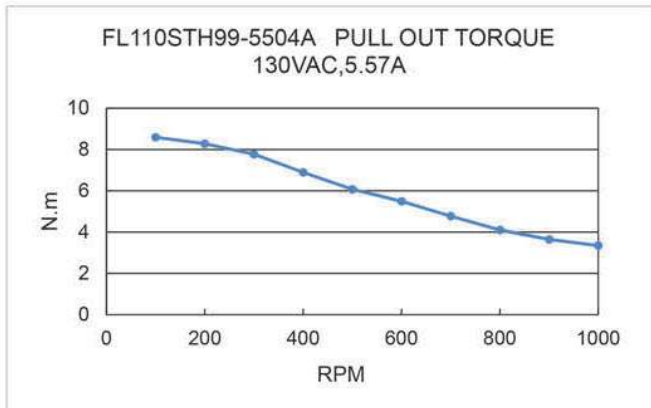
■ 接线图 (Wiring Diagram)

4 线 (leads)



A3

■ 矩频曲线 (Pull out torque curve)



该款电机可以根据客户需求定制。

The motor can be designed & manufactured with customized request.

1.8° 20mm

内置接插件型混合式步进电机 Integrated Connector HB Stepper Motor

特性概要 (General specification)



选件 Options

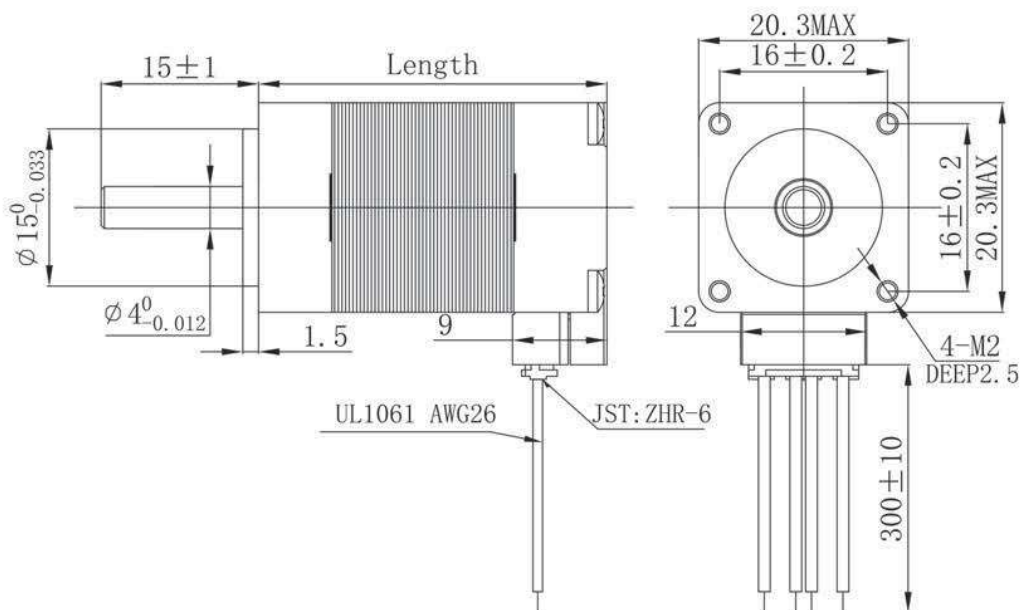


| 项目 (Item) | 说明 (Specifications) |
|------------------------------|---------------------------------|
| 步距角 (Step Angle) | 1.8° |
| 步距角精度 (Step Angle Accuracy) | ±5% (整步无负载, full step, no load) |
| 径向间隙 (Radial Play) | 0.02mm@450 g |
| 轴向间隙 (Axial Play) | 0.08mm@450 g |
| 最大径向负载 (Max. radial force) | 10N |
| 最大轴向负载 (Max. axial force) | 4N |
| 介电强度 (Dielectric Strength) | 600VAC / 1s |
| 绝缘电阻 (Insulation Resistance) | 100MΩ ,500VDC |
| 环境温度 (Ambient Temperature) | -20° C~+50° C |
| 绝缘等级 (Insulation Class) | Class B |

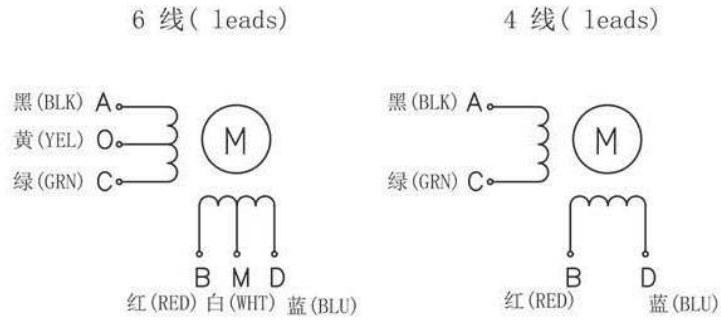
电性能 (Electrical specifications)

| 型号 (Model No.) | Current /Phase 每相 电流 | Resistance /Phase 每相 电阻 | Inductance /Phase 每相 电感 | Holding Torque 保持 转矩 | Detent Torque 定位 转矩 | # of Leads 引出 线数 | Rotor Inertia 转动 惯量 | Weight 重量 | Length 机身 长度 |
|-----------------------|----------------------------|-------------------------------|-------------------------------|----------------------------|---------------------------|------------------------|---------------------------|--------------|--------------------|
| Single shaft (单出轴) | A | Ω | mH | N.m | N.m | # | g-cm ² | kg | mm |
| FL20STC33-0604A | 0.6 | 6.4 | 2.6 | 0.022 | 0.002 | 4 | 2 | 0.06 | 33 |

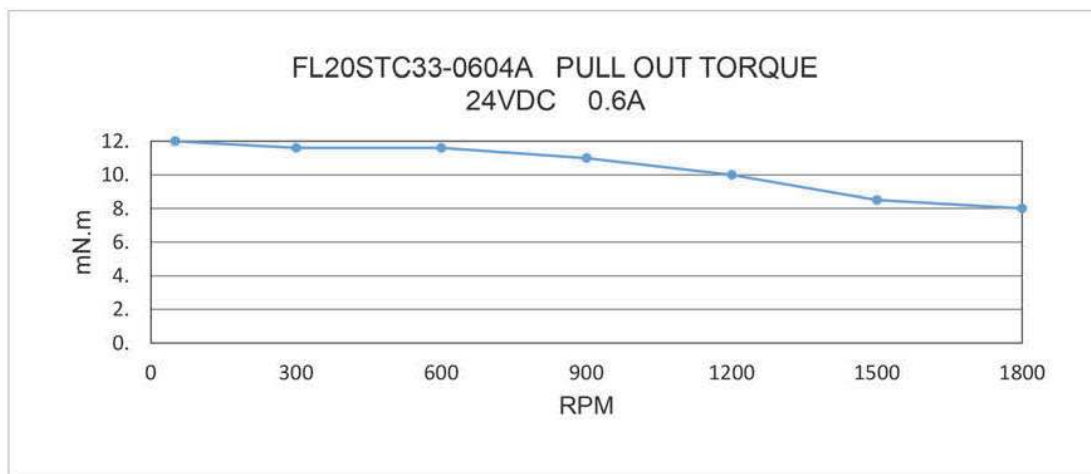
机械尺寸 (Dimension)



■ 接线图 (Wiring Diagram)



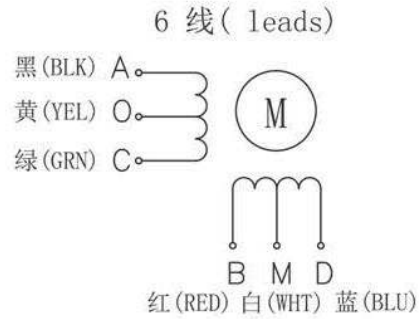
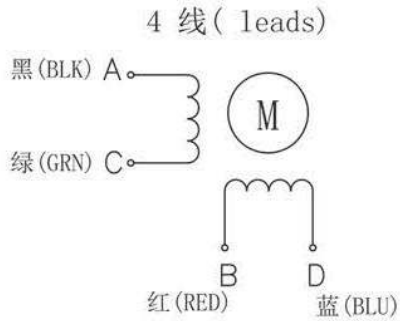
■ 矩频曲线 (Pull out torque curve)



该款电机可以根据客户需求定制。

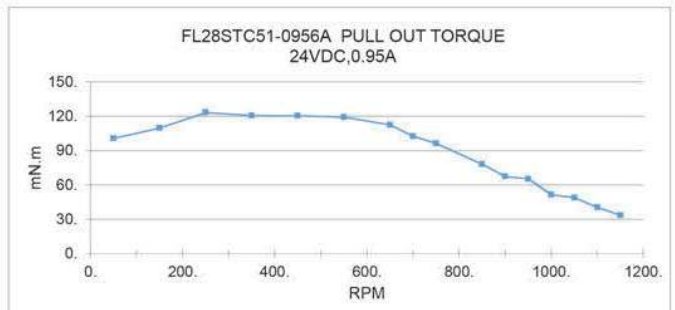
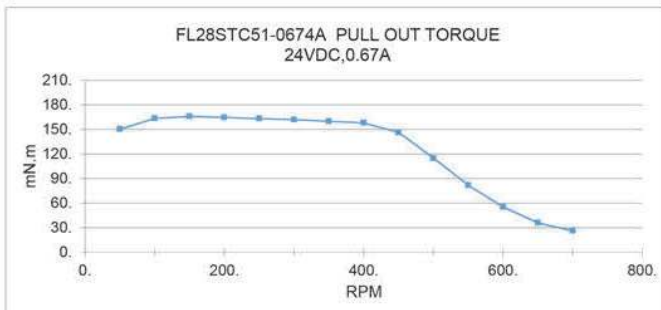
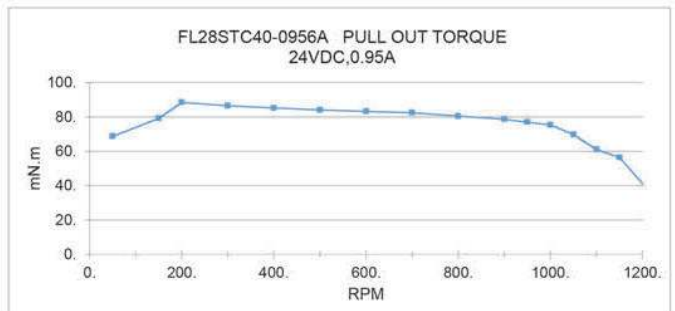
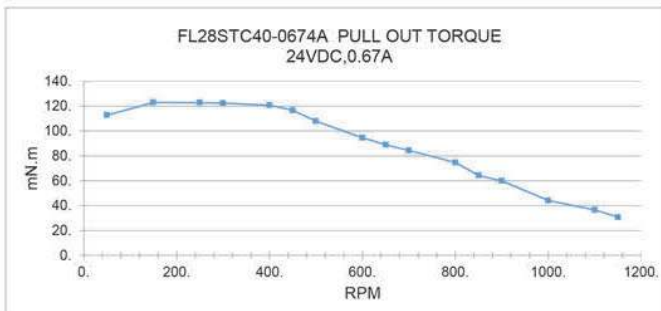
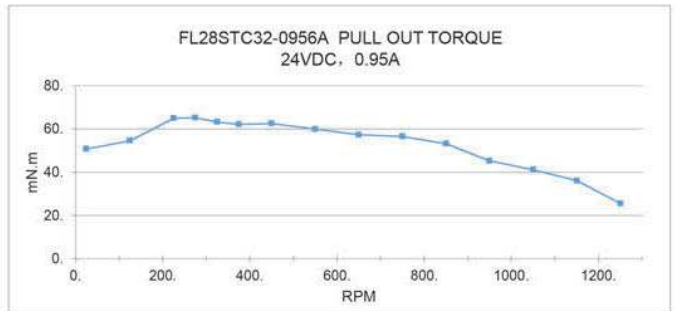
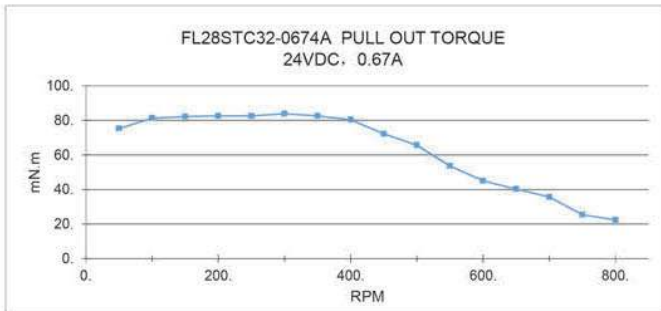
The motor can be designed & manufactured with customized request.

■ 接线图 (Wiring Diagram)



■ 矩频曲线 (Pull out torque curve)

B



该款电机可以根据客户需求定制。

The motor can be designed & manufactured with customized request.

1.8° 35mm

内置接插件型混合式步进电机 Integrated Connector HB Stepper Motor

特性概要 (General specification)

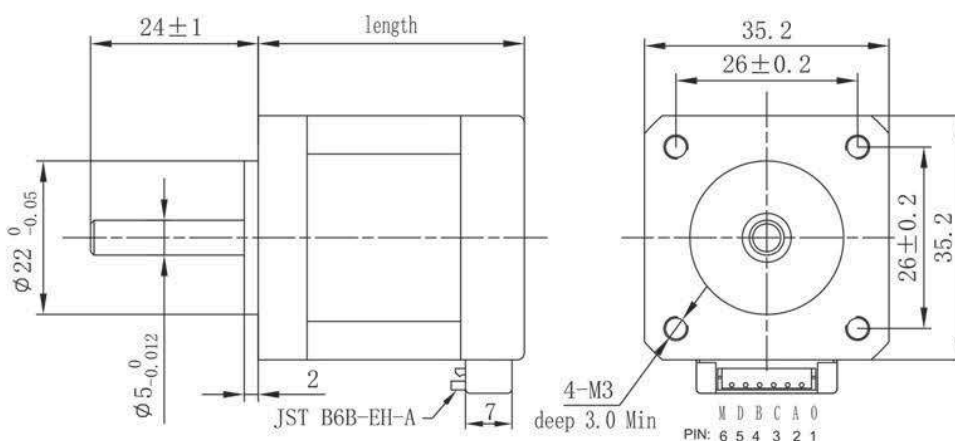


| 项目 (Item) | 说明 (Specifications) |
|--------------------------------|-------------------------------------|
| 步距角 (Step Angle) | 1.8° |
| 步距角精度 (Step Angle Accuracy) | ±5% (整步无负载, full step, no load) |
| 径向间隙 (Radial Play) | 0.02mm@450 g |
| 轴向间隙 (Axial Play) | 0.08mm@450 g |
| 最大径向负载 (Max. radial force) | 28N 距法兰 20mm (20mm from the flange) |
| 最大轴向负载 (Max. axial force) | 10N |
| 介电强度 (Dielectric Strength) | 600VAC / 1s |
| 绝缘电阻 (Insulation Resistance) | 100MΩ ,500VDC |
| 环境温度 (Ambient Temperature) | -20· C~+50· C |
| 绝缘等级 (Insulation Class) | Class B |

电性能 (Electrical specifications)

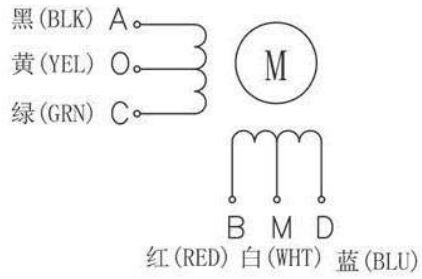
| 型号 (Model No.) | Current /Phase 每相 电流 | Resistance /Phase 每相 电阻 | Inductance /Phase 每相 电感 | Holding Torque 保持 转矩 | Detent Torque 定位 转矩 | # of Leads 引出 线数 | Rotor Inertia 转动 惯量 | Weight 重量 | Length 机身 长度 |
|-----------------------|----------------------------|-------------------------------|-------------------------------|----------------------------|---------------------------|------------------------|---------------------------|--------------|--------------------|
| Single shaft (单出轴) | A | Ω | mH | N.m | N.m | # | g-cm ² | kg | mm |
| FL35STC38-1204AC | 1.2 | 3.2 | 4.0 | 0.23 | 0.018 | 4 | 20 | 0.21 | 38±1 |
| FL35STC44-1204AC | 1.2 | 3.2 | 5.2 | 0.28 | 0.02 | 4 | 28 | 0.23 | 44±1 |

机械尺寸 (Dimension)

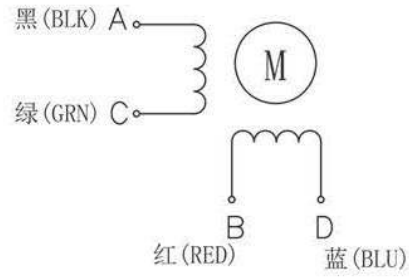


■ 接线图 (Wiring Diagram)

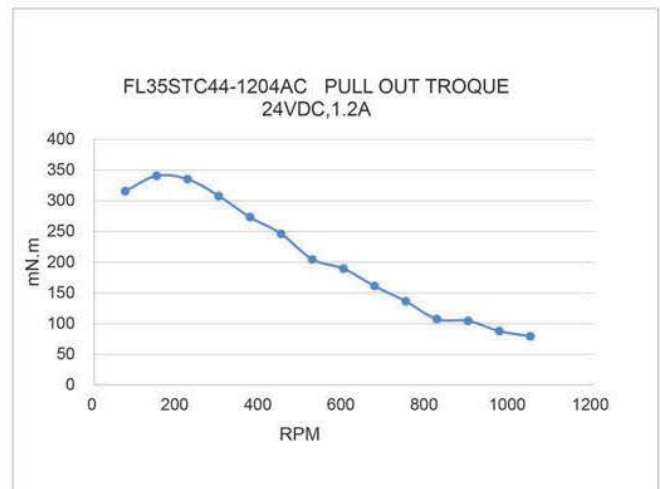
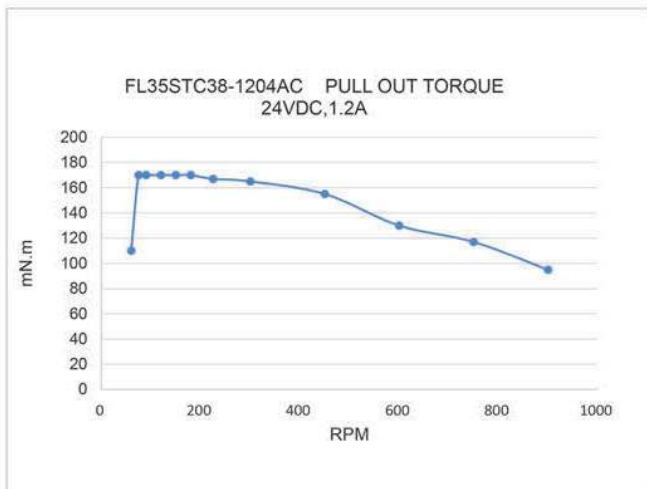
6 线 (leads)



4 线 (leads)



■ 矩频曲线 (Pull out torque curve)



该款电机可以根据客户需求定制。

The motor can be designed & manufactured with customized request.

1.8° 42mm

内置接插件型混合式步进电机 Integrated Connector HB Stepper Motor

特性概要 (General specification)

选件 Options

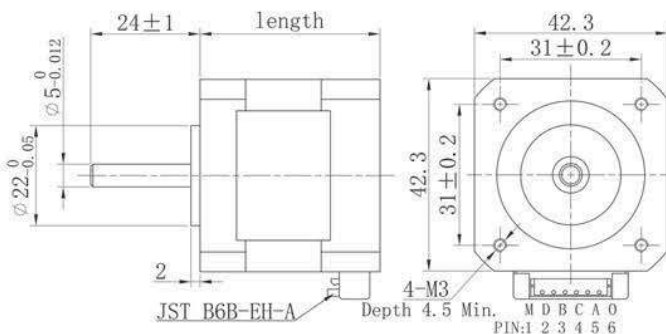


| 项目 (Item) | 说明 (Specifications) |
|------------------------------|-------------------------------------|
| 步距角 (Step Angle) | 1.8° |
| 步距角精度 (Step Angle Accuracy) | ±5% (整步无负载, full step, no load) |
| 径向间隙 (Radial Play) | 0.02mm@450 g |
| 轴向间隙 (Axial Play) | 0.08mm@450 g |
| 最大径向负载 (Max. radial force) | 28N 距法兰 20mm (20mm from the flange) |
| 最大轴向负载 (Max. axial force) | 10N |
| 介电强度 (Dielectric Strength) | 600VAC / 1s |
| 绝缘电阻 (Insulation Resistance) | 100MΩ ,500VDC |
| 环境温度 (Ambient Temperature) | -20· C~+50· C |
| 绝缘等级 (Insulation Class) | Class B |

电性能 (Electrical specifications)

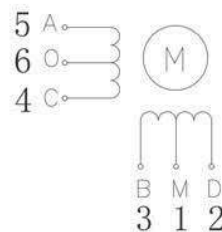
| 型号 (Model No.) | Current /Phase 每相 电流 | Resistance /Phase 每相 电阻 | Inductance /Phase 每相 电感 | Holding Torque 保持 转矩 | Detent Torque 定位 转矩 | # of Leads 引出 线数 | Rotor Inertia 转动 惯量 | Weight 重量 | Length 机身 长度 |
|-----------------------|----------------------------|-------------------------------|-------------------------------|----------------------------|---------------------------|------------------------|---------------------------|--------------|--------------------|
| | A | Ω | mH | N.m | N.m | # | g·cm ² | kg | mm |
| Single shaft (单出轴) | | | | | | | | | |
| FL42STC33-0956A | 0.95 | 4.2 | 2.5 | 0.16 | 0.012 | 6 | 35 | 0.22 | 33.5±1 |
| FL42STC33-1334A | 1.33 | 2.1 | 2.5 | 0.22 | | 4 | | | |
| FL42STC38-1206A | 1.2 | 3.3 | 3.2 | 0.26 | 0.015 | 6 | 54 | 0.28 | 39.5±1 |
| FL42STC38-1684A | 1.68 | 1.65 | 3.2 | 0.36 | | 4 | | | |
| FL42STC47-1206A | 1.2 | 3.3 | 2.8 | 0.317 | 0.02 | 6 | 68 | 0.35 | 47.5±1 |
| FL42STC47-1684A | 1.68 | 1.65 | 2.8 | 0.44 | | 4 | | | |
| FL42STC60-1206A | 1.2 | 6 | 7 | 0.56 | 0.028 | 6 | 102 | 0.5 | 60±1 |

机械尺寸 (Dimension)

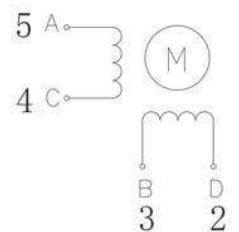


接线图 (Wiring Diagram)

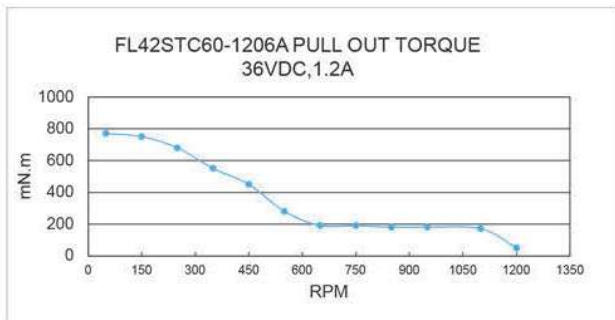
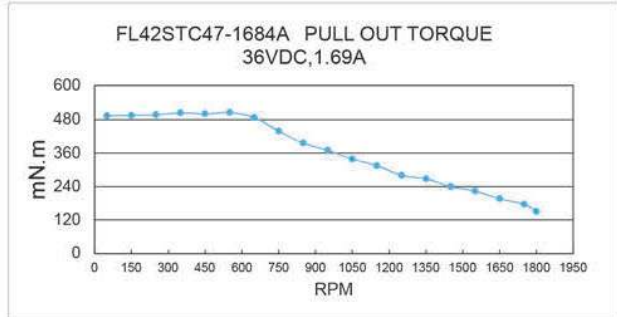
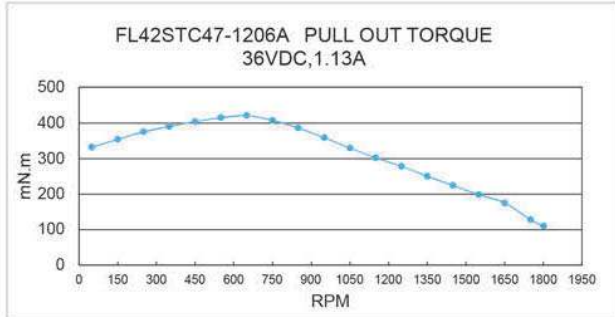
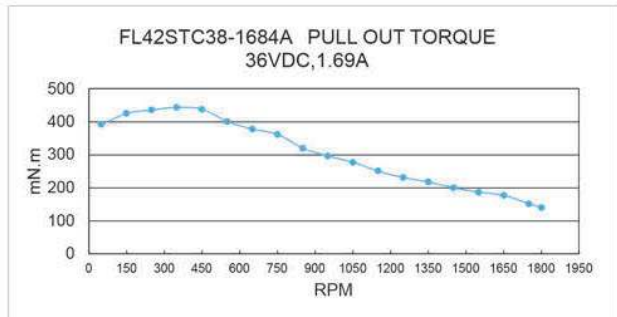
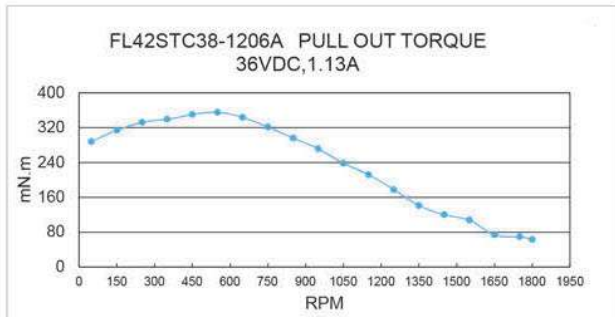
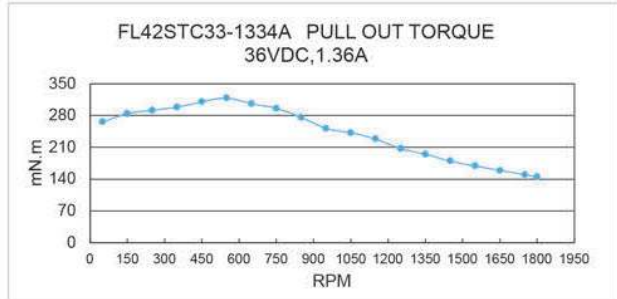
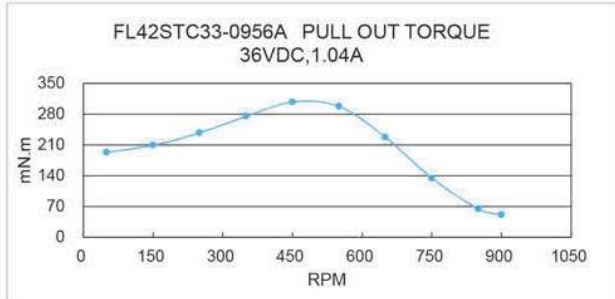
6 线 (leads)



4 线 (leads)



■ 矩频曲线 (Pull out torque curve)



该款电机可以根据客户需求定制。

The motor can be designed & manufactured with customized request.

1.8° 57mm

内置接插件型混合式步进电机 Integrated Connector HB Stepper Motor

特性概要 (General specification)

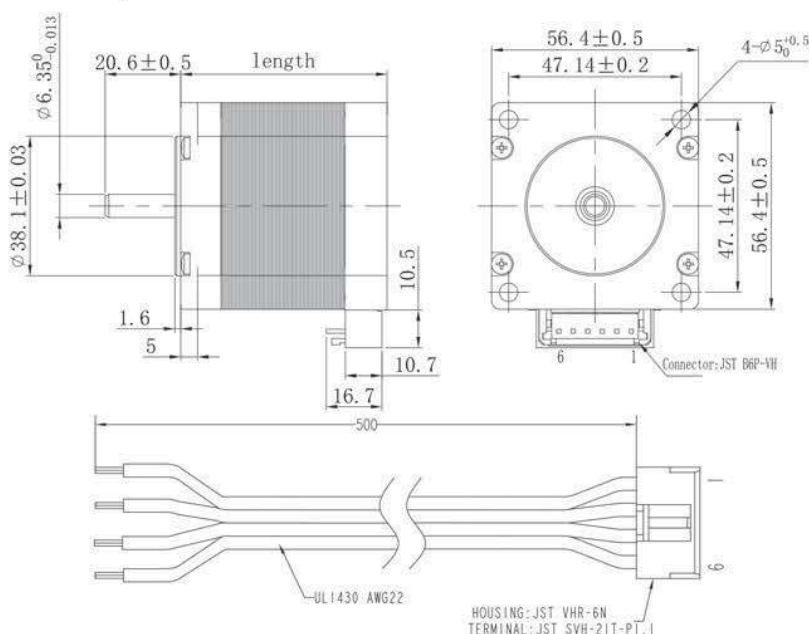


| 项目 (Item) | 说明 (Specifications) |
|--------------------------------|-------------------------------------|
| 步距角 (Step Angle) | 1.8° |
| 步距角精度 (Step Angle Accuracy) | ±5% (整步无负载, full step, no load) |
| 径向间隙 (Radial Play) | 0.02mm@450 g |
| 轴向间隙 (Axial Play) | 0.08mm@450 g |
| 最大径向负载 (Max. radial force) | 75N 距法兰 20mm (20mm from the flange) |
| 最大轴向负载 (Max. axial force) | 15N |
| 介电强度 (Dielectric Strength) | 600VAC / 1s |
| 绝缘电阻 (Insulation Resistance) | 100MΩ ,500VDC |
| 环境温度 (Ambient Temperature) | -20· C~+50· C |
| 绝缘等级 (Insulation Class) | Class B |

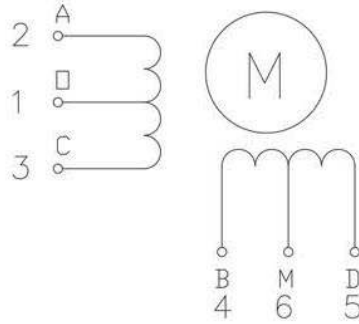
电性能 (Electrical specifications)

| 型号 (Model No.) | Current /Phase 每相 电流 | Resistance /Phase 每相 电阻 | Inductance /Phase 每相 电感 | Holding Torque 保持 转矩 | Detent Torque 定位 转矩 | # of Leads 引出 线数 | Rotor Inertia 转动 惯量 | Weight 重量 | Length 机身 长度 |
|-----------------------|----------------------------|-------------------------------|-------------------------------|----------------------------|---------------------------|------------------------|---------------------------|--------------|--------------------|
| Single shaft (单出轴) | A | Ω | mH | N.m | N.m | # | g·cm ² | kg | mm |
| FL57STC41-2804AC | 2.8 | 0.78 | 1.8 | 0.6 | 0.025 | 4 | 120 | 0.45 | 40.5±1 |
| FL57STC56-2804AC | 2.8 | 1.0 | 3.2 | 1.4 | 0.045 | 4 | 300 | 0.7 | 56±1 |
| FL57STC76-2804AC | 2.8 | 1.3 | 5.3 | 2.3 | 0.07 | 4 | 480 | 1.1 | 76.5±1 |

机械尺寸 (Dimension)

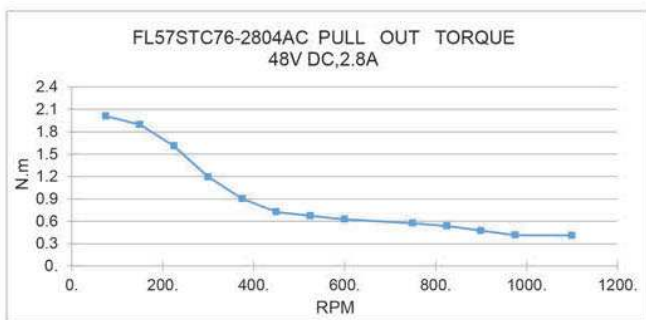
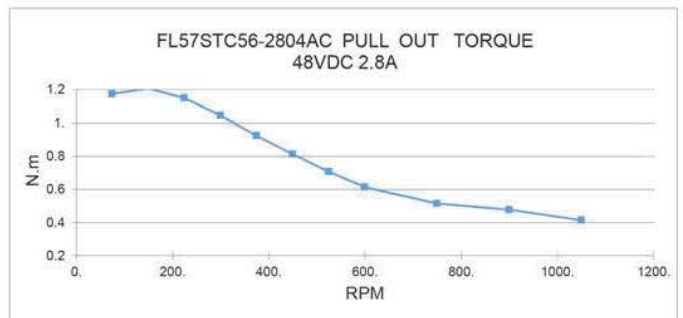
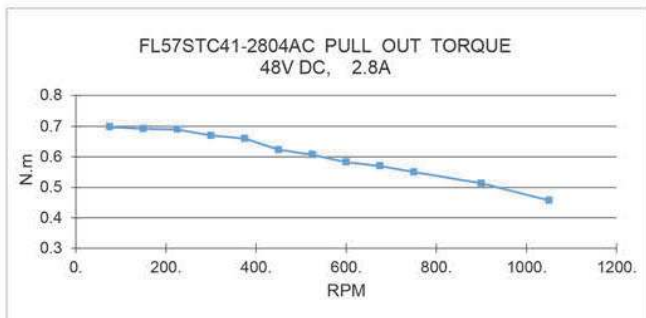


■ 接线图 (Wiring Diagram)



B

■ 矩频曲线 (Pull out torque curve)



该款电机可以根据客户需求定制。

The motor can be designed & manufactured with customized request.

1.8° 60mm

内置接插件型混合式步进电机 Integrated Connector HB Stepper Motor

特性概要 (General specification)

选件 Options

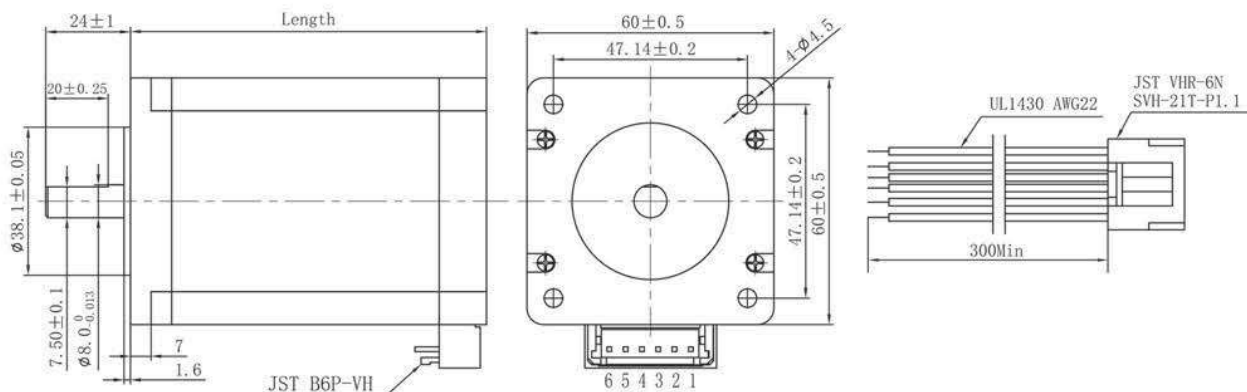


| 项目 (Item) | 说明 (Specifications) |
|--------------------------------|-------------------------------------|
| 步距角 (Step Angle) | 1.8° |
| 步距角精度 (Step Angle Accuracy) | ±5% (整步无负载, full step, no load) |
| 径向间隙 (Radial Play) | 0.02mm@450 g |
| 轴向间隙 (Axial Play) | 0.08mm@450 g |
| 最大径向负载 (Max. radial force) | 75N 距法兰 20mm (20mm from the flange) |
| 最大轴向负载 (Max. axial force) | 15N |
| 介电强度 (Dielectric Strength) | 600VAC / 1s |
| 绝缘电阻 (Insulation Resistance) | 100MΩ ,500VDC |
| 环境温度 (Ambient Temperature) | -20°C~+50°C |
| 绝缘等级 (Insulation Class) | Class B |

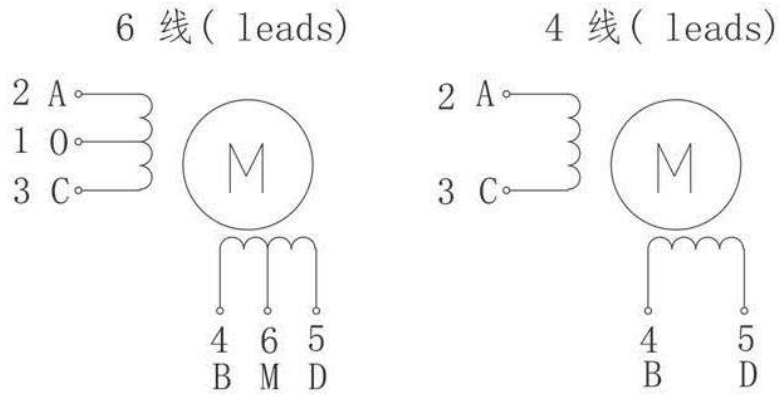
电性能 (Electrical specifications)

| 型号 (Model No.) | Current /Phase 每相 电流 | Resistance /Phase 每相 电阻 | Inductance /Phase 每相 电感 | Holding Torque 保持 转矩 | Detent Torque 定位 转矩 | # of Leads 引出 线数 | Rotor Inertia 转动惯量 | Weight 重量 | Length 机身 长度 |
|-------------------|----------------------------|-------------------------------|-------------------------------|----------------------------|---------------------------|------------------------|-----------------------|--------------|--------------------|
| 单轴(Single shaft) | A | Ω | mH | N.m | N.m | # | g-cm ² | kg | mm |
| FL60STH45-2804AFC | 2.8 | 0.75 | 2 | 1.1 | 0.05 | 4 | 275 | 0.6 | 47±1 |
| FL60STH56-2804AFC | 2.8 | 0.9 | 3.6 | 1.65 | 0.07 | 4 | 400 | 0.77 | 56±1 |
| FL60STH65-2804AFC | 2.8 | 1.2 | 4.6 | 2.1 | 0.09 | 4 | 570 | 1.2 | 67±1 |
| FL60STH86-2804AFC | 2.8 | 1.5 | 6.8 | 3.0 | 0.12 | 4 | 840 | 1.4 | 88±1 |

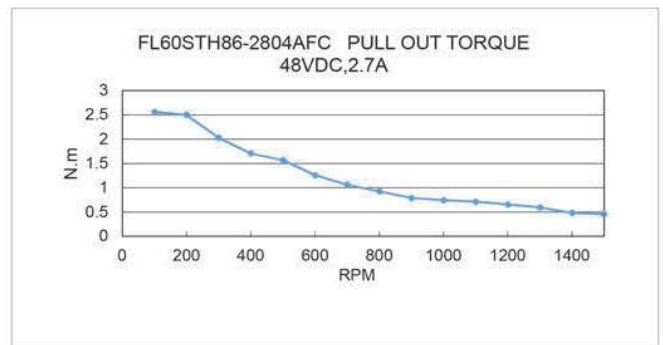
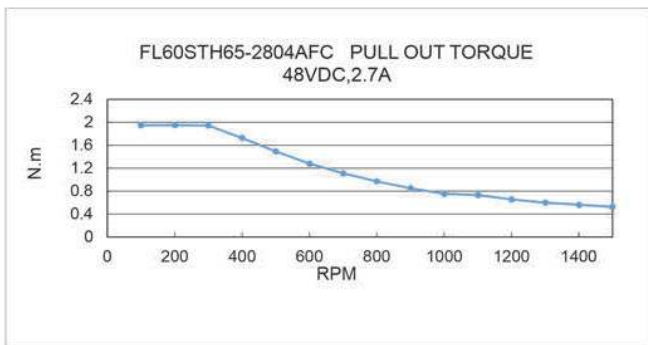
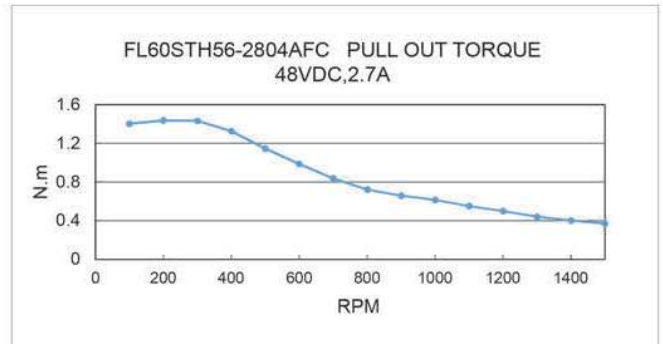
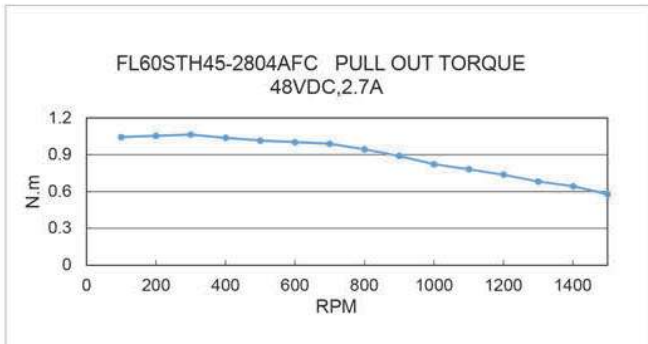
机械尺寸 (Dimension)



■ 接线图 (Wiring Diagram)



■ 矩频曲线 (Pull out torque curve)



该款电机可以根据客户需求定制。

The motor can be designed & manufactured with customized request.

1.8° 57mm

增强力矩型混合式步进电机 Enhanced Torque Hybrid Stepper Motor

特性概要 (General specification)

选件 Options

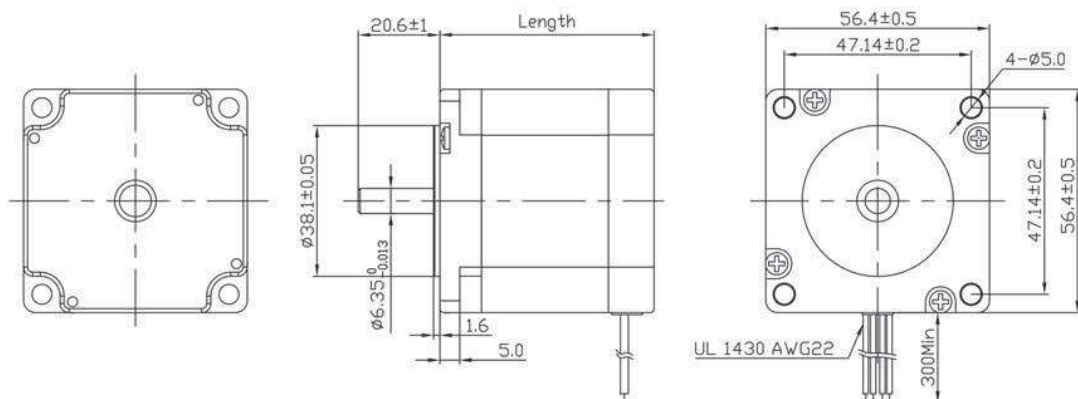


| 项目 (Item) | 说明 (Specifications) |
|--------------------------------|-------------------------------------|
| 步距角 (Step Angle) | 1.8° |
| 步距角精度 (Step Angle Accuracy) | ±5% (整步无负载, full step, no load) |
| 径向间隙 (Radial Play) | 0.02mm@450 g |
| 轴向间隙 (Axial Play) | 0.08mm@450 g |
| 最大径向负载 (Max. radial force) | 75N 距法兰 20mm (20mm from the flange) |
| 最大轴向负载 (Max. axial force) | 15N |
| 介电强度 (Dielectric Strength) | 600VAC / 1s |
| 绝缘电阻 (Insulation Resistance) | 100MΩ ,500VDC |
| 环境温度 (Ambient Temperature) | -20· C~+50· C |
| 绝缘等级 (Insulation Class) | Class B |

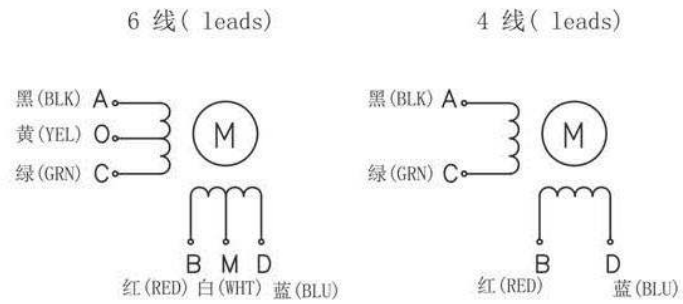
电性能 (Electrical specifications)

| 型号 (Model No.) | Current /Phase 每相 电流 | Resistance /Phase 每相 电阻 | Inductance /Phase 每相 电感 | Holding Torque 保持 转矩 | Detent Torque 定位 转矩 | # of Leads 引出 线数 | Rotor Inertia 转动 惯量 | Weight 重量 | Length 机身 长度 |
|-----------------------|----------------------------|-------------------------------|-------------------------------|----------------------------|---------------------------|------------------------|---------------------------|--------------|--------------------|
| Single shaft (单出轴) | A | Ω | mH | N.m | N.m | # | g-cm ² | kg | mm |
| FL57STEN56-2804A | 2.8 | 0.9 | 2.5 | 1.5 | 0.06 | 4 | 300 | 0.7 | 56Max |
| FL57STEN78-2004A | 2.0 | 2.1 | 6.9 | 2.8 | 0.12 | 4 | 500 | 1.1 | 78±1 |

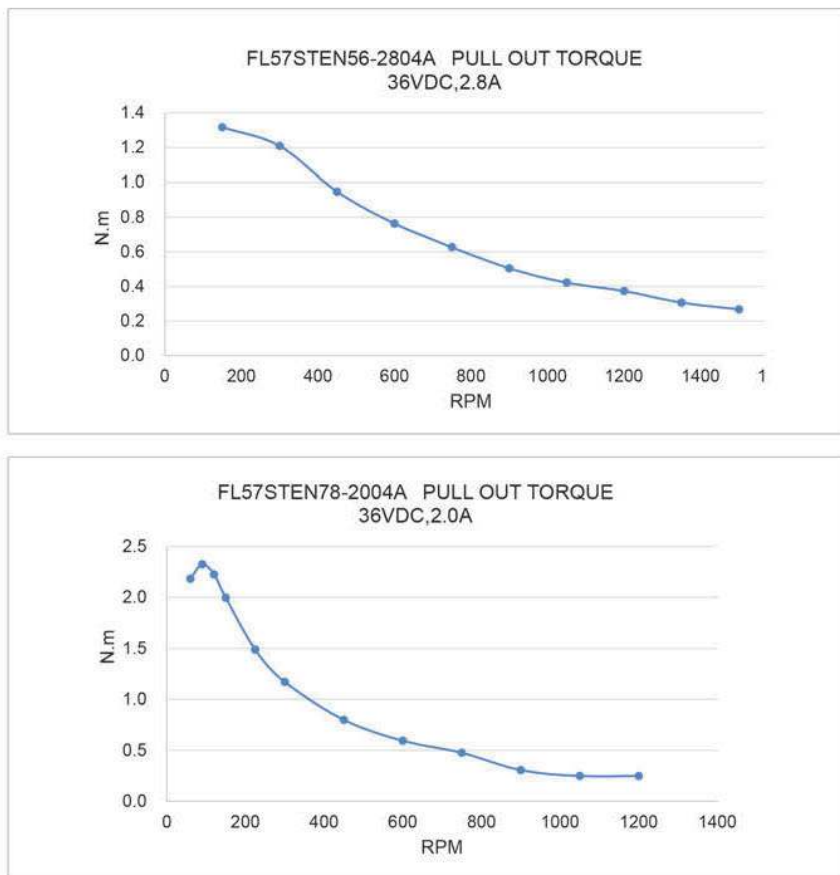
机械尺寸 (Dimension)



■ 接线图 (Wiring Diagram)



■ 矩频曲线 (Pull out torque curve)



该款电机可以根据客户需求定制。

The motor can be designed & manufactured with customized request.

1.8° 60mm

增强力矩型混合式步进电机 Enhanced Torque Hybrid Stepper Motor

特性概要 (General specification)

选件 Options

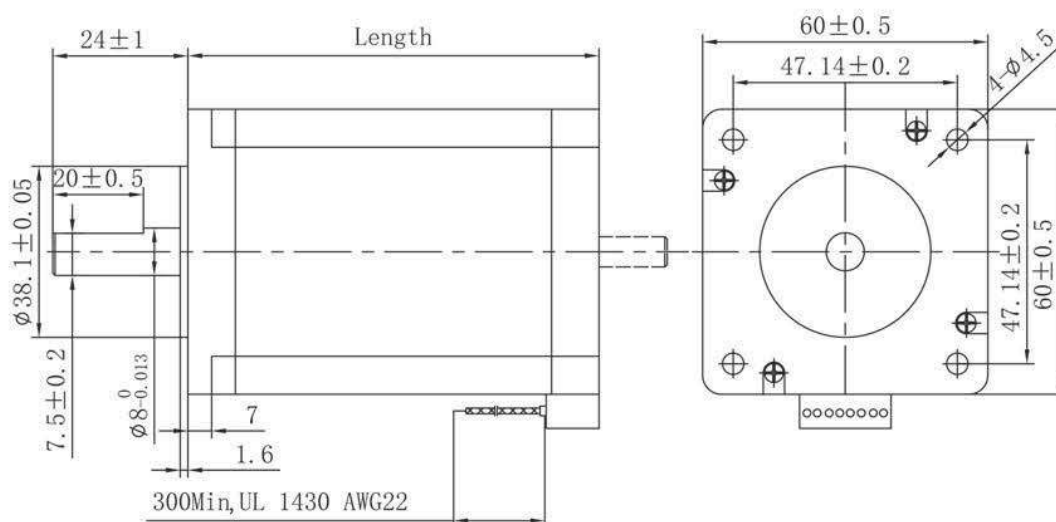


| 项目 (Item) | 说明 (Specifications) |
|------------------------------|-------------------------------------|
| 步距角 (Step Angle) | 1.8° |
| 步距角精度 (Step Angle Accuracy) | ±5% (整步无负载, full step, no load) |
| 径向间隙 (Radial Play) | 0.02mm@450 g |
| 轴向间隙 (Axial Play) | 0.08mm@450 g |
| 最大径向负载 (Max. radial force) | 75N 距法兰 20mm (20mm from the flange) |
| 最大轴向负载 (Max. axial force) | 15N |
| 介电强度 (Dielectric Strength) | 600VAC / 1s |
| 绝缘电阻 (Insulation Resistance) | 100MΩ ,500VDC |
| 环境温度 (Ambient Temperature) | -20°C~+50°C |
| 绝缘等级 (Insulation Class) | Class B |

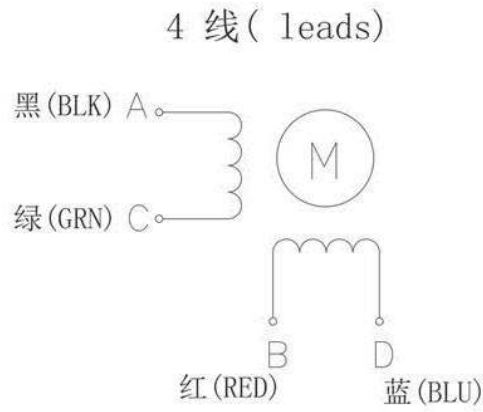
电性能 (Electrical specifications)

| 型号 (Model No.) | Current /Phase 每相 电流 | Resistance /Phase 每相 电阻 | Inductance /Phase 每相 电感 | Holding Torque 保持 转矩 | Detent Torque 定位 转矩 | # of Leads 引出 线数 | Rotor Inertia 转动 惯量 | Weight 重量 | Length 机身 长度 |
|--------------------|----------------------------|-------------------------------|-------------------------------|----------------------------|---------------------------|------------------------|---------------------------|--------------|--------------------|
| Single shaft (单出轴) | A | Ω | mH | N.m | N.m | # | g-cm ² | kg | mm |
| FL60STEN86-2804AF | 2.8 | 1.47 | 4.5 | 3.6 | 0.24 | 4 | 920 | 1.5 | 88±1 |

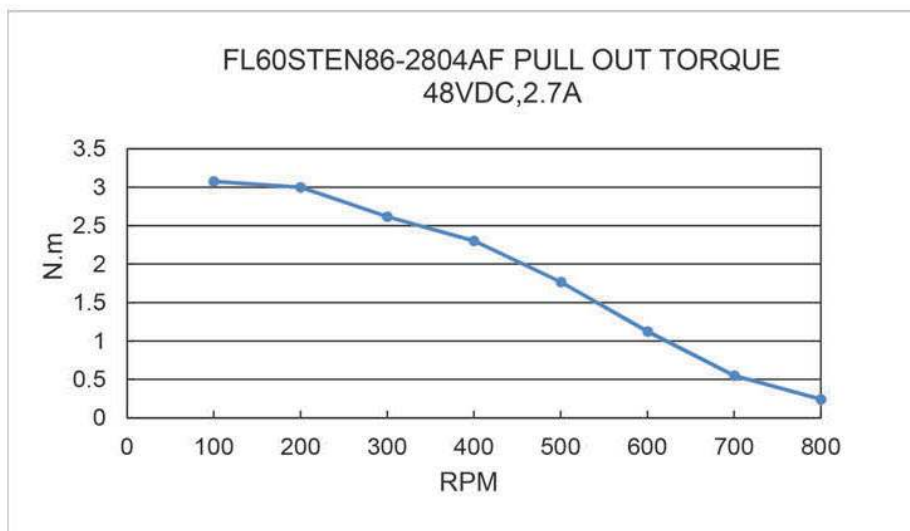
机械尺寸 (Dimension)



■ 接线图 (Wiring Diagram)



■ 矩频曲线 (Pull out torque curve)



该款电机可以根据客户需求定制。

The motor can be designed & manufactured with customized request.

1.8° 42mm

IP65 混合式步进电机 IP65 Hybrid Stepper Motor

特性概要 (General specification)



选件 Options

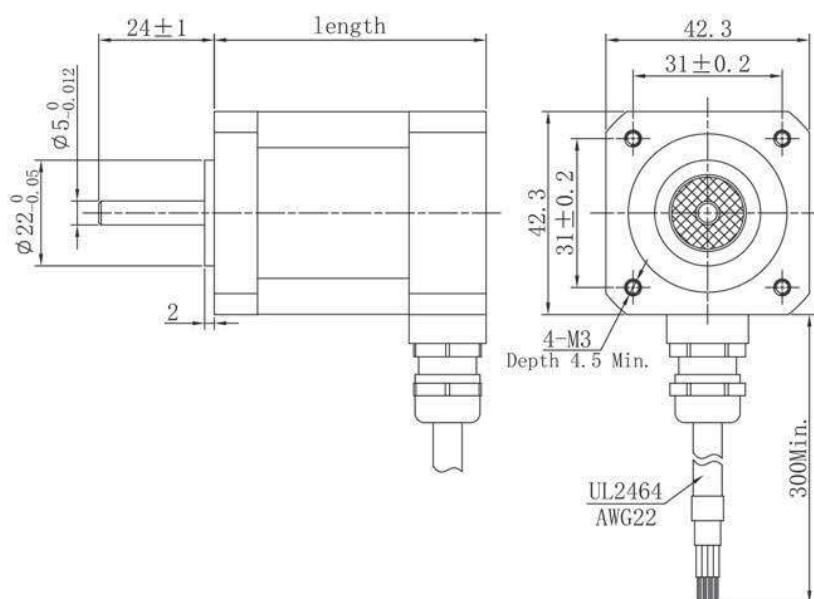


| 项目 (Item) | 说明 (Specifications) |
|--------------------------------|-------------------------------------|
| 步距角 (Step Angle) | 1.8° |
| 步距角精度 (Step Angle Accuracy) | ±5% (整步无负载, full step, no load) |
| 径向间隙 (Radial Play) | 0.02mm@450 g |
| 轴向间隙 (Axial Play) | 0.08mm@450 g |
| 最大径向负载 (Max. radial force) | 28N 距法兰 20mm (20mm from the flange) |
| 最大轴向负载 (Max. axial force) | 10N |
| 介电强度 (Dielectric Strength) | 600VAC / 1s |
| 绝缘电阻 (Insulation Resistance) | 100MΩ ,500VDC |
| 环境温度 (Ambient Temperature) | -20· C~+50· C |
| 绝缘等级 (Insulation Class) | Class B |
| 防护等级 (IP CODE) | IP65 |

电性能 (Electrical specifications)

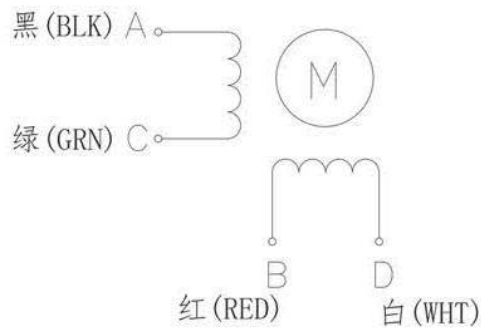
| 型号 (Model No.) | Current /Phase 每相 电流 | Resistance /Phase 每相 电阻 | Inductance /Phase 每相 电感 | Holding Torque 保持 转矩 | Detent Torque 定位 转矩 | # of Leads 引出 线数 | Rotor Inertia 转动惯量 | Weight 重量 | Length 机身 长度 |
|-----------------------|----------------------------|-------------------------------|-------------------------------|----------------------------|---------------------------|------------------------|-----------------------|--------------|--------------------|
| Single shaft (单出轴) | A | Ω | mH | N.m | N.m | # | g·cm ² | kg | mm |
| FL42STH47-1684A-IP65 | 1.68 | 1.65 | 2.8 | 0.44 | 0.04 | 4 | 68 | 400 | 56.5±1 |

机械尺寸 (Dimension)

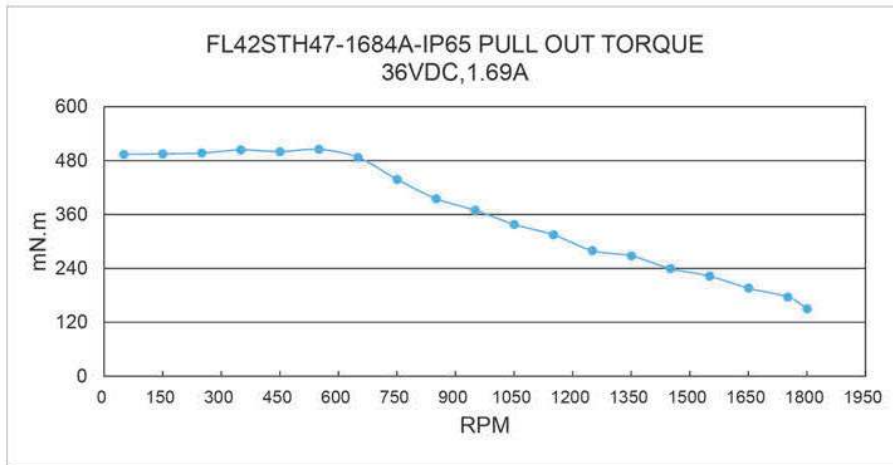


■ 接线图 (Wiring Diagram)

4 线 (leads)



■ 矩频曲线 (Pull out torque curve)



该款电机可以根据客户需求定制。

The motor can be designed & manufactured with customized request.

1.8° 57mm

IP65 混合式步进电机 IP65 Hybrid Stepper Motor

特性概要 (General specification)

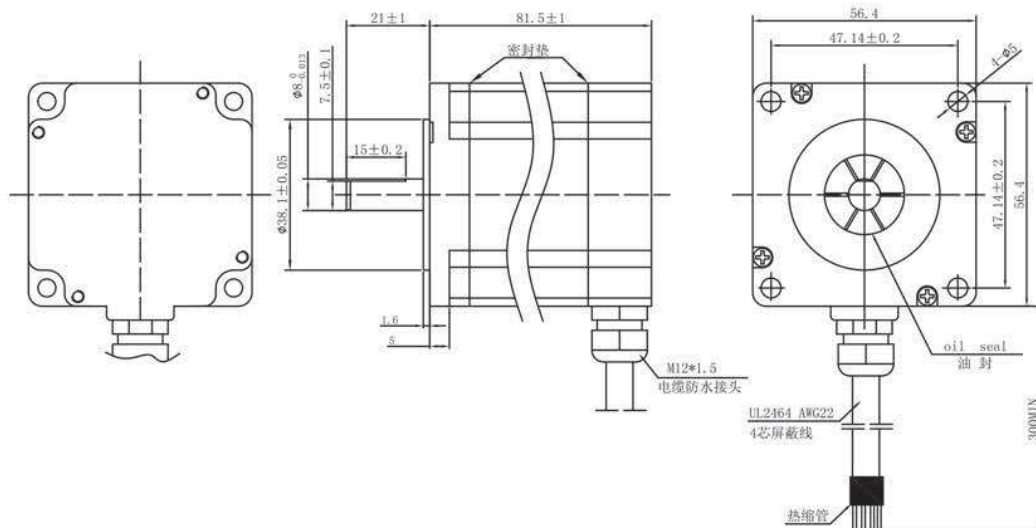


| 项目 (Item) | 说明 (Specifications) |
|---------------------------------|--|
| 步距角 (Step Angle) | 1.8° |
| 步距角精度 (Step Angle Accuracy) | ±5% (整步, 空载) |
| 径向间隙 (Radial Play) | 0.02mm@450 g |
| 轴向间隙 (Axial Play) | 0.08mm@450 g |
| 最大径向负载 (Max. radial force) | 75N 距法兰 20mm (20mm from the flange) |
| 最大轴向负载 (Max. axial force) | 15N |
| 介电强度 (Dielectric Strength) | 600VAC / 1S |
| 绝缘电阻 (Insulation Resistance) | 100MΩ ,500VDC |
| 环境温度 (Ambient Temperature) | -20· C~+50· C |
| 绝缘等级 (Insulation Class) | Class B |
| 防护等级 (IP CODE) | IP65 |

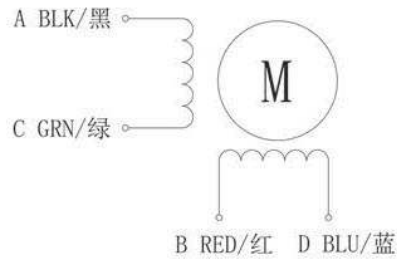
电性能 (Electrical specifications)

| 型号 (Model No.) | Current /Phase 每相 电流 | Resistance /Phase 每相 电阻 | Inductance /Phase 每相 电感 | Holding Torque 保持 转矩 | Detent Torque 定位 转矩 | # of Leads 引出 线数 | Rotor Inertia 转动 惯量 | Weight 重量 | Length 机身 长度 |
|----------------------|----------------------------|-------------------------------|-------------------------------|----------------------------|---------------------------|------------------------|---------------------------|--------------|--------------------|
| Single shaft (单出轴) | A | Ω | mH | N.m | N.m | # | g·cm ² | kg | mm |
| FL57STH41-2804A-IP65 | 2.8 | 0.7 | 1.4 | 0.55 | 0.02 | 4 | 120 | 0.6 | 46.5±1 |
| FL57STH56-2804A-IP65 | 2.8 | 0.9 | 2.5 | 1.26 | 0.04 | 4 | 300 | 0.9 | 60.5±1 |
| FL57STH76-2804A-IP65 | 2.8 | 1.13 | 3.6 | 1.89 | 0.068 | 4 | 480 | 1.2 | 81.5±1 |

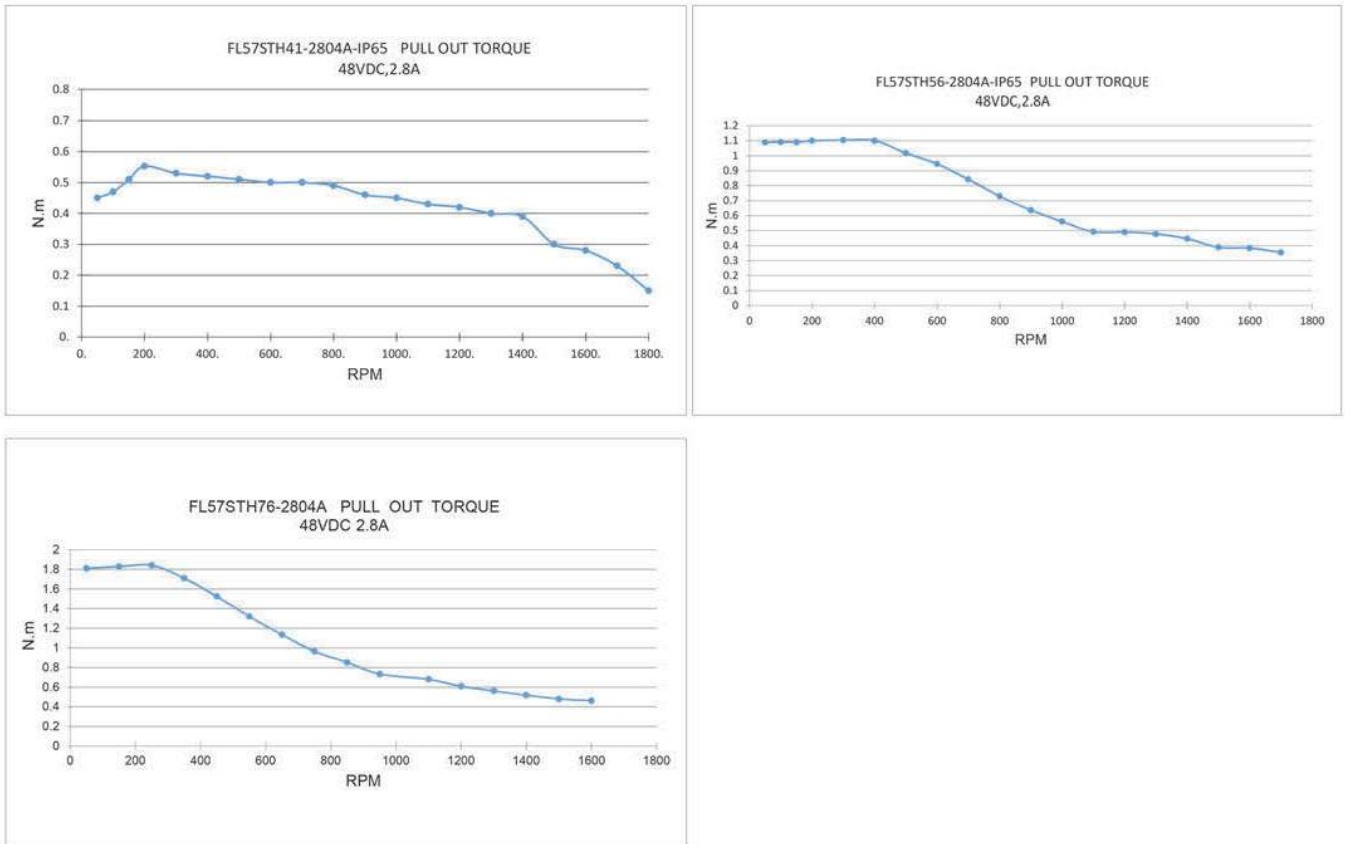
机械尺寸 (Dimension)



■ 接线图 (Wiring Diagram)



■ 矩频曲线 (Pull out torque curve)



该款电机可以根据客户需求定制。

The motor can be designed & manufactured with customized request.

1.8° 60mm

IP65 混合式步进电机 IP65 Hybrid Stepper Motor

特性概要 (General specification)

选件 Options

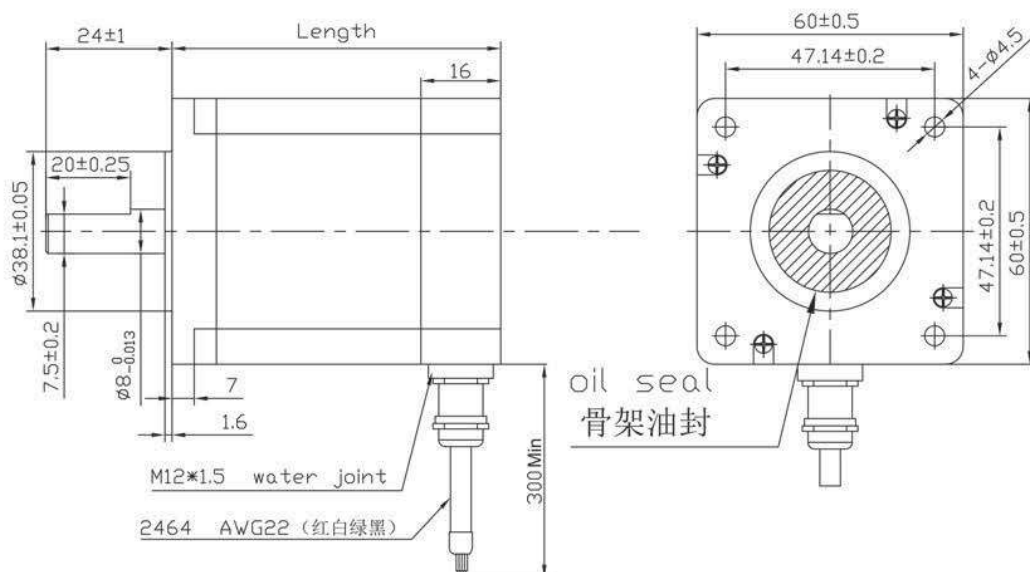


| 项目 (Item) | 说明 (Specifications) |
|------------------------------|-------------------------------------|
| 步距角 (Step Angle) | 1.8° |
| 步距角精度 (Step Angle Accuracy) | ±5% (整步, 空载) |
| 径向间隙 (Radial Play) | 0.02mm@450 g |
| 轴向间隙 (Axial Play) | 0.08mm@450 g |
| 最大径向负载 (Max. radial force) | 75N 距法兰 20mm (20mm from the flange) |
| 最大轴向负载 (Max. axial force) | 15N |
| 介电强度 (Dielectric Strength) | 600VAC / 1S |
| 绝缘电阻 (Insulation Resistance) | 100MΩ ,500VDC |
| 环境温度 (Ambient Temperature) | -20°C~+50°C |
| 绝缘等级 (Insulation Class) | Class B |
| 防护等级 (IP CODE) | IP65 |

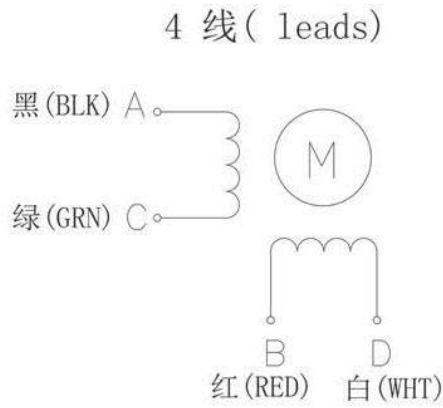
电性能 (Electrical specifications)

| 型号 (Model No.) | Current /Phase 每相 电流 | Resistance /Phase 每相 电阻 | Inductance /Phase 每相 电感 | Holding Torque 保持 转矩 | Detent Torque 定位 转矩 | # of Leads 引出 线数 | Rotor Inertia 转动 惯量 | Weight 重量 | Length 机身 长度 |
|-----------------------|----------------------------|-------------------------------|-------------------------------|----------------------------|---------------------------|------------------------|---------------------------|--------------|--------------------|
| Single shaft (单出轴) | A | Ω | mH | N.m | N.m | # | g-cm ² | kg | mm |
| FL60STH86-2804AF-IP65 | 2.8 | 1.5 | 6.8 | 3.0 | 0.14 | 4 | 840 | 1.4 | 95±1 |

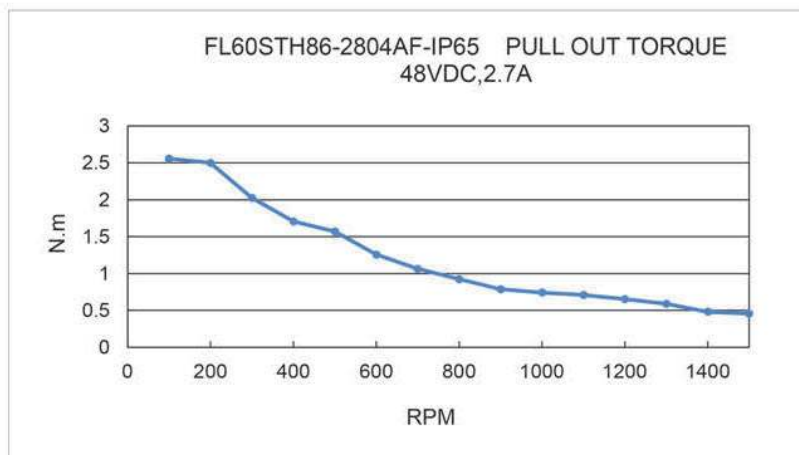
机械尺寸 (Dimension)



■ 接线图 (Wiring Diagram)



■ 矩频曲线 (Pull out torque curve)



该款电机可以根据客户需求定制。

The motor can be designed & manufactured with customized request.

1.8° 86mm

IP65 混合式步进电机 IP65 Hybrid Stepper Motor

特性概要 (General specification)



选件 Options

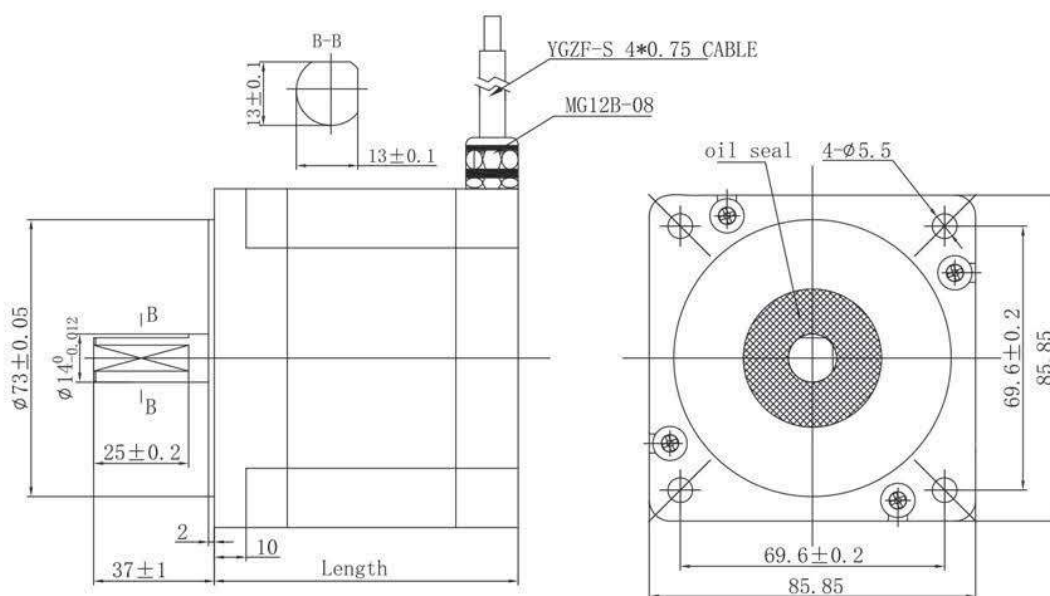


| 项目 (Item) | 说明 (Specifications) |
|------------------------------|--|
| 步距角 (Step Angle) | 1.8° |
| 步距角精度 (Step Angle Accuracy) | ±5% (整步无负载, full step, no load) |
| 径向间隙 (Radial Play) | 0.02mm@450 g |
| 轴向间隙 (Axial Play) | 0.08mm@450 g |
| 最大径向负载 (Max. radial force) | 130N 距法兰 20mm 130N @ 20mm from the flange |
| 最大轴向负载 (Max. axial force) | 36N |
| 介电强度 (Dielectric Strength) | 900VAC / 1S |
| 绝缘电阻 (Insulation Resistance) | 100MΩ ,500VDC |
| 环境温度 (Ambient Temperature) | -20° C~+50° C |
| 绝缘等级 (Insulation Class) | Class B |
| 防护等级 (IP CODE) | IP65 |

电性能 (Electrical specifications)

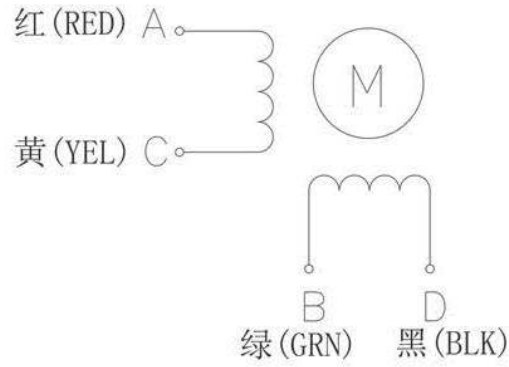
| 型号 (Model No.) | Current /Phase 每相 电流 | Resistance /Phase 每相 电阻 | Inductance /Phase 每相 电感 | Holding Torque 保持 转矩 | Detent Torque 定位 转矩 | # of Leads 引出 线数 | Rotor Inertia 转动 惯量 | Weight 重量 | Length 机身 长度 |
|-----------------------|----------------------------|-------------------------------|-------------------------------|----------------------------|---------------------------|------------------------|---------------------------|--------------|--------------------|
| Single shaft (单出轴) | A | Ω | mH | N.m | N.m | # | g-cm ² | kg | mm |
| FL86STH126-7004A-IP65 | 7 | 0.48 | 4.4 | 9 | 0.4 | 4 | 3000 | 3.95 | 127 |

机械尺寸 (Dimension)

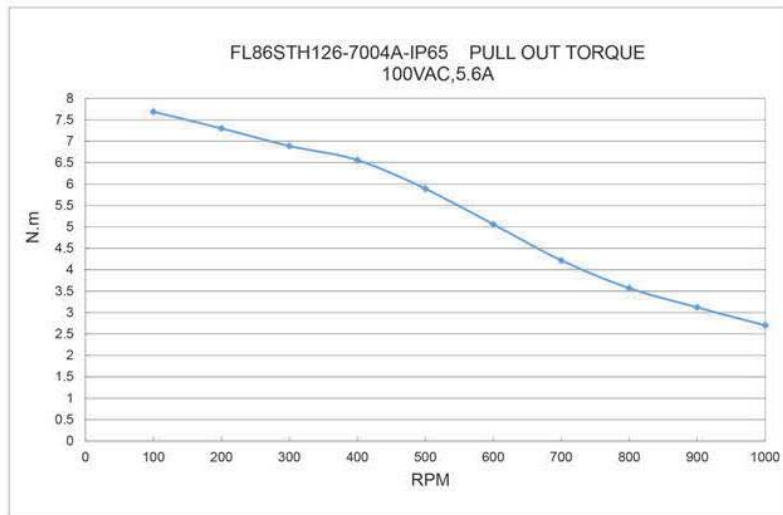


■ 接线图 (Wiring Diagram)

4 线 (leads)



■ 矩频曲线 (Pull out torque curve)



该款电机可以根据客户需求定制。

The motor can be designed & manufactured with customized request.

FL42STH-42JB

正齿轮箱混合式步进电机 Geared Stepper Motor



选件 Options



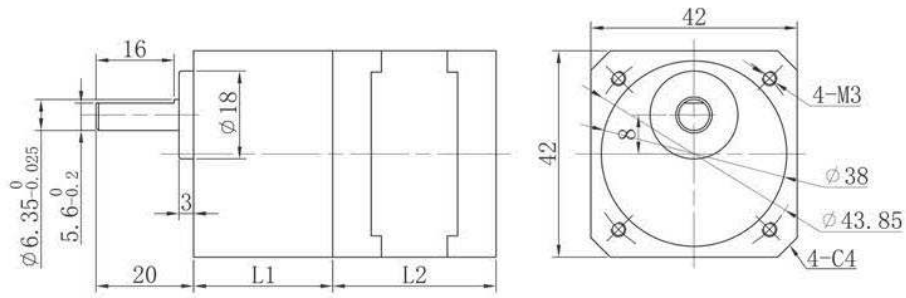
特性概要 (General specification)

| Ratio 减速比 | 3.6 | 7.2 | 9 | 10 | 18 | 36 |
|----------------------------|---------|-----|---|----|---------|--------|
| Weight 重量 | 0.1kg | | | | 0.125kg | 0.15kg |
| Number of gear trains 减速级数 | 2 | | | | 3 | 4 |
| Nominal torque 额定转矩 | 2.5N.m | | | | | |
| Ultimate torque 极限转矩 | 3.0N.m | | | | | |
| Efficiency 效率 | 81% | | | | 72% | 65% |
| Backlash 回差 | 0.6 deg | | | | 0.4deg | |

齿轮箱电机性能 (Gear Motor Specifications)

| Ratio 减速比 | | 3.6 | 7.2 | 9 | 10 | 18 | 36 |
|----------------|---|------|------|-----|------|------|-----|
| FL42STH33-42JB | Torque(N.m) (at 300rpm) 转矩(N.m) (在 300rpm) | 0.5 | 1.1 | 1.3 | 1.45 | 2.3 | - |
| | speed(rpm)转速(rpm) | 83 | 41.5 | 33 | 30 | 16.5 | - |
| FL42STH38-42JB | Torque(N.m) (at 300rpm) 转矩(N.m) (在 300rpm) | 0.73 | 1.45 | 1.8 | 2.0 | --- | --- |
| | speed(rpm)转速(rpm) | 83 | 41 | 33 | 30 | --- | --- |

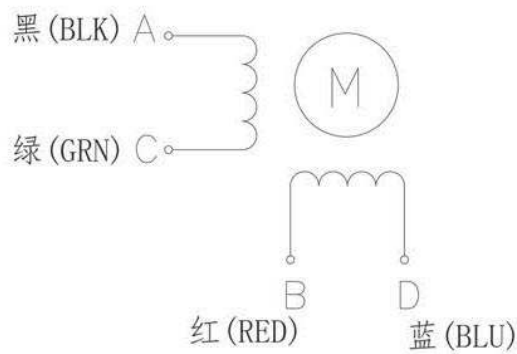
机械尺寸 (Dimension)



| RATIO 减速比 | L2(mm) | | L1(mm) |
|--------------|----------------|----------------|--------|
| | FL42STH33-42JB | FL42STH38-42JB | |
| 3.6---36 | 33.5 | 39.5 | 28.5 |

接线图 (Wiring Diagram)

4 线 (leads)



该款电机可以根据客户需求定制。

The motor can be designed & manufactured with customized request.

FL57STH-60JB

正齿轮箱混合式步进电机 Geared Stepper Motor



选件 Options



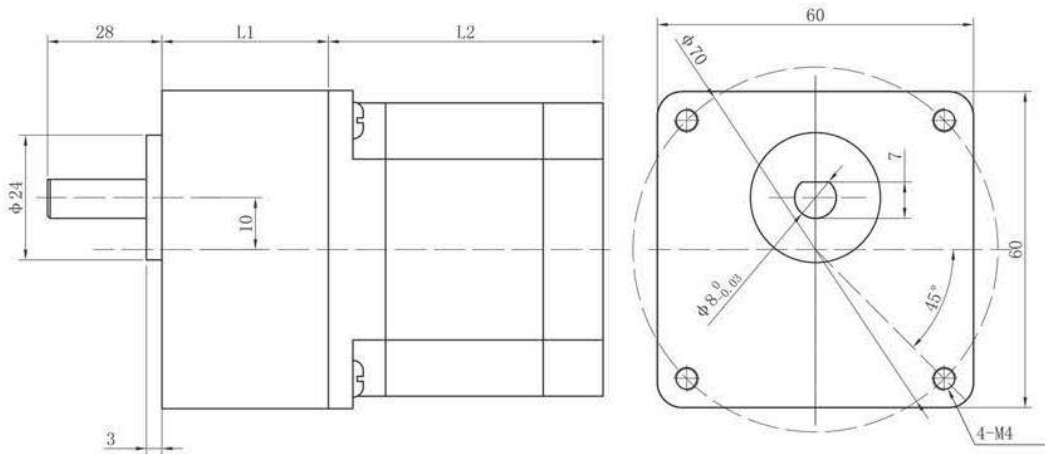
特性概要 (General specification)

| Ratio 减速比 | 3 | 7.5 | 12.5 | 15 | 25 | 30 | 50 | 75 | 90 | 100 | 120 | 150 |
|----------------------------|--------|-----|------|--------|----|----|--------|----|----|-----|-----|-----|
| Weight (重量) | 0.24kg | | | 0.3kg | | | | | | | | |
| Number of gear trains 减速级数 | 2 | | | 3 | | | 4 | | | | | |
| Nominal torque 额定转矩 | 10N.m | | | | | | | | | | | |
| Ultimate torque 极限转矩 | 15N.m | | | | | | | | | | | |
| Efficiency 效率 | 81% | | | 73% | | | 66% | | | | | |
| Backlash 回差 | 4 deg | | | 3.5deg | | | 2.5deg | | | | | |

齿轮箱电机性能 (Gear Motor Specifications)

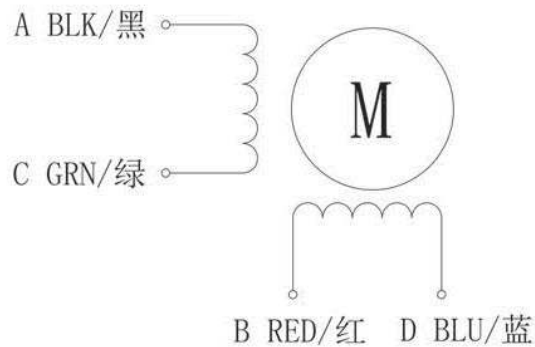
| Ratio 减速比 | | 3 | 7.5 | 12.5 | 15 | 25 | 30 | 50 | 75 | 90 | 100 | 120 | 150 |
|----------------|---|------|------|------|------|------|------|-----|-----|-----|-----|-----|-----|
| FL57STH41-60JB | Torque(N.m) (at 300rpm) 转矩(N.m) (在 300rpm) | 1.02 | 2.55 | 4.25 | 5.1 | 7.66 | 9.19 | --- | --- | --- | --- | --- | --- |
| | speed(rpm)转速(rpm) | 100 | 40 | 24 | 20 | 12 | 10 | --- | --- | --- | --- | --- | --- |
| FL57STH51-60JB | Torque(N.m) (at 300rpm) 转矩(N.m) (在 300rpm) | 1.78 | 4.25 | 7.08 | 8.5 | --- | --- | --- | --- | --- | --- | --- | --- |
| | speed(rpm)转速(rpm) | 100 | 40 | 24 | 20 | --- | --- | --- | --- | --- | --- | --- | --- |
| FL57STH56-60JB | Torque(N.m) (at 300rpm) 转矩(N.m) (在 300rpm) | 1.84 | 4.61 | 7.69 | 9.23 | --- | --- | --- | --- | --- | --- | --- | --- |
| | speed(rpm)转速(rpm) | 100 | 40 | 24 | 20 | --- | --- | --- | --- | --- | --- | --- | --- |
| FL57STH76-60JB | Torque(N.m) (at 300rpm) 转矩(N.m) (在 300rpm) | 2.91 | 7.29 | --- | --- | --- | --- | --- | --- | --- | --- | --- | --- |
| | speed(rpm)转速(rpm) | 100 | 40 | --- | --- | --- | --- | --- | --- | --- | --- | --- | --- |

机械尺寸 (Dimension)



| RATIO 减速比 | L2(mm) | | | | L1(mm) |
|--------------|----------------|----------------|----------------|----------------|--------|
| | FL57STH41-60JB | FL57STH51-60JB | FL57STH56-60JB | FL57STH76-60JB | |
| 3---15 | 40 | 50 | 55 | 75 | 32 |
| 25---150 | | | | | 40 |

接线图 (Wiring Diagram)



该款电机可以根据客户需求定制。

The motor can be designed & manufactured with customized request.

FL86STH-90JB

正齿轮箱混合式步进电机 Geared Stepper Motor



选件 Options



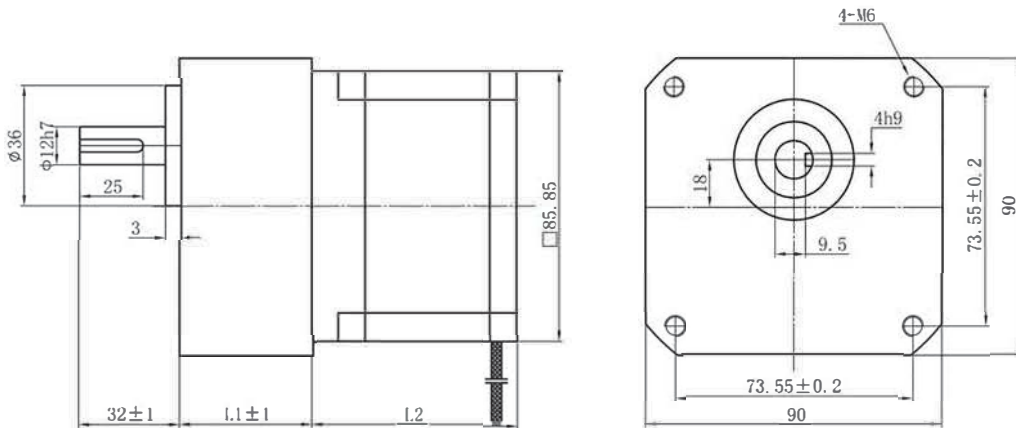
特性概要 (General specification)

| Ratio 减速比 | 3 | 5 | 6 | 7.5 | 9 | 10 | 12.5 | 15 | 18 | 20 | 25 | 30 | 36 | 40 | 50 | 60 | 75 | 90 | 100 | 120 |
|----------------------------------|-------|---|---|-----|---|----|------|----|----|----|--------|----|----|----|----|--------|----|----|-----|-----|
| Weight 重量 | 1.3kg | | | | | | | | | | 1.5kg | | | | | | | | | |
| Number of gear trains 减速级数 | 2 | | | | | | | | | | 3 | | | | | 4 | | | | |
| Nominal torque 额定转矩 | | | | | | | | | | | 30N.m | | | | | | | | | |
| Ultimate torque 极限转矩 | | | | | | | | | | | 45N.m | | | | | | | | | |
| Efficiency 效率 | 81% | | | | | | | | | | 73% | | | | | 66% | | | | |
| Backlash 回差 | 4 deg | | | | | | | | | | 3.5deg | | | | | 2.5deg | | | | |

齿轮箱电机性能 (Gear Motor Specifications)

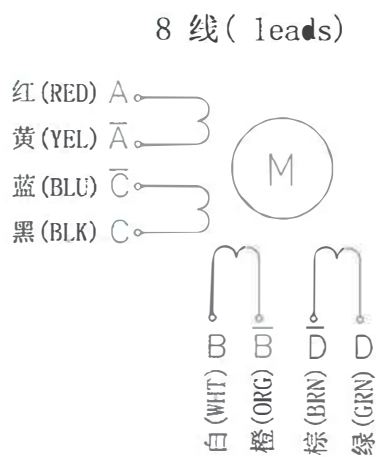
| Ratio 减速比 | | 3 | 5 | 6 | 7.5 | 9 | 10 | 12.5 | 15 | 18 | 20 | 25 | 30 | 36 | 40 | 50 | 60 | 75 | 90 | 100 | 120 |
|-----------------|--------------------------|------|------|------|------|------|------|------|------|------|------|------|-----|-----|-----|-----|-----|-----|-----|-----|-----|
| FL86STH65-90JB | Torque (N.m) 转矩 (N.m) | 3.6 | 6 | 7.2 | 9.1 | 10.9 | 12.1 | 15.1 | 18.2 | 19.7 | 21.9 | 27.3 | --- | --- | --- | --- | --- | --- | --- | --- | --- |
| | speed(rpm) 转速(rpm) | 133 | 80 | 67 | 53 | 44 | 40 | 32 | 27 | 22 | 20 | 16 | --- | --- | --- | --- | --- | --- | --- | --- | --- |
| | Torque (N.m) 转矩 (N.m) | 4.8 | 8.1 | 9.7 | 12.1 | 14.6 | 16.2 | 20.2 | 24.3 | 26.2 | 29.2 | --- | --- | --- | --- | --- | --- | --- | --- | --- | --- |
| | speed(rpm) 转速(rpm) | 133 | 80 | 67 | 53 | 44 | 40 | 32 | 27 | 22 | 20 | --- | --- | --- | --- | --- | --- | --- | --- | --- | --- |
| FL86STH118-90JB | Torque (N.m) 转矩 (N.m) | 9.7 | 16.2 | 19.4 | 24.3 | 29.1 | --- | --- | --- | --- | --- | --- | --- | --- | --- | --- | --- | --- | --- | --- | --- |
| | speed(rpm) 转速(rpm) | 133 | 80 | 67 | 53 | 44 | --- | --- | --- | --- | --- | --- | --- | --- | --- | --- | --- | --- | --- | --- | --- |
| | Torque (N.m) 转矩 (N.m) | 12.1 | 20.2 | 24.3 | 30.3 | --- | --- | --- | --- | --- | --- | --- | --- | --- | --- | --- | --- | --- | --- | --- | --- |
| | speed(rpm) 转速(rpm) | 133 | 80 | 67 | 53 | --- | --- | --- | --- | --- | --- | --- | --- | --- | --- | --- | --- | --- | --- | --- | --- |

机械尺寸 (Dimension)



| RATIO | L2(mm) | | | | L1(mm) |
|----------|----------------|----------------|-----------------|-----------------|--------|
| | FL86STH65-90JB | FL86STH80-90JB | FL86STH118-90JB | FL86STH156-90JB | |
| 3---15 | 65 | 80 | 118 | 156 | 42 |
| 18---120 | | | | | 60 |

接线图 (Wiring Diagram)



该款电机可以根据客户需求定制。

The motor can be designed & manufactured with customized request.

混合式步进行星齿轮减速电机(内齿圈材质: 金属)

Planetary Gear Stepper Motor (Ring Gear Material: Metal)

FL20STH 22JMS20K

Φ22 行星减速器, 允许转矩范围: 0.6N.m~2.0N.m
 22mm Planetary Gearbox
 Permissible Load Range: 0.6N.m~2.0N.m

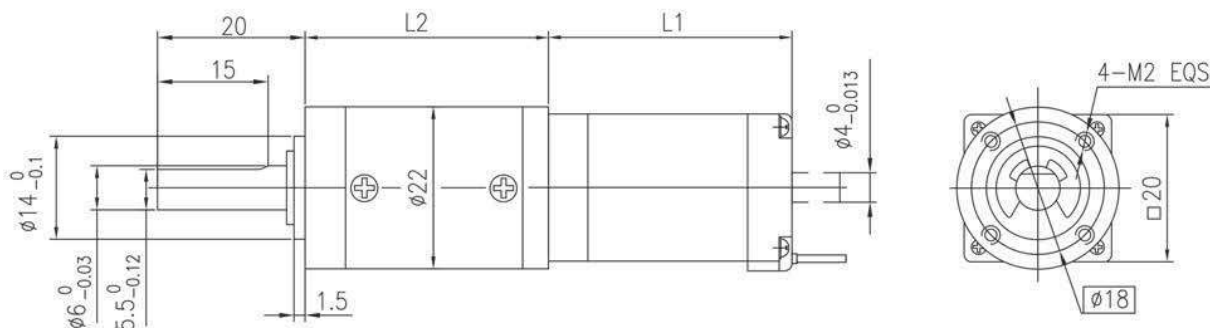
行星齿轮减速器 (Planetary Gearbox)

选件 Options



| | |
|--|--------------------|
| 内齿圈材料 Ring material | 金属 metal |
| 输出轴轴承形式 Bearing at output | 滚动轴承 Ball bearings |
| 最大允许径向负载 (离法兰 10mm 处) Max. Radial load (10mm from flange) | 50N |
| 最大允许轴向负载 Max. shaft axial load | 30N |
| 径向间隙 (测量点尽量接近法兰) Radial play of shaft (near to flange) | ≤0.08 mm |
| 轴向间隙 Axial play of shaft | ≤0.3 mm |

外形和安装尺寸 (Dimensions)



FL20STH混合式步进电机性能 (FL20STH Hybrid Stepping Motor Specifications)

| Model No. | 额定电压 | 每相电流 | 每相电阻 | 每相电感 | 保持转矩 | 引出线数 | 转动惯量 | 重量 | 长度 L1 | 适配减速比 |
|-----------------|---------------|----------------|-------------------|-------------------|----------------|------------|----------------------|--------|-----------|-----------------|
| | Rated Voltage | Current /Phase | Resistance /Phase | Inductance /Phase | Holding Torque | # of Leads | Rotor Inertia | Weight | Length L1 | Max. Gear Ratio |
| 单轴 Single Shaft | V | A | Ω | mH | g.cm | | kg-m ² | g | mm | |
| FL20STH33-0604A | 3.9 | 0.6 | 6.5 | 1.7 | 180 | 4 | 2.0x10 ⁻⁷ | 60 | 33 | ≤1:369 |
| FL20STH42-0804A | 4.32 | 0.8 | 5.4 | 1.5 | 300 | 4 | 3.6x10 ⁻⁷ | 80 | 42 | ≤1:264 |

行星减速器性能 (Planetary Gearbox Specifications)

| 减速比 Reduction ratio | | 3.71 | 5.18 | 14 | 19 | 27 | 51 | 71 | 100 | 139 | 189 | 264 | 369 |
|---|-------|-------|-------|----------|----------|----------|-------------|-------------|-------------|-------------|-------------|--------------|--------------|
| 精确减速比 Accurate Reduction Ratio | | 63/17 | 57/11 | 3969/289 | 3591/187 | 3249/121 | 250047/4913 | 226233/3179 | 204687/2057 | 185193/1331 | 538861/2857 | 1119000/4243 | 3661450/9929 |
| 减速级数 Number of gear trains | | 1 | | 2 | | | 3 | | | 4 | | | |
| 减速器长度 (L2) Length(L2) | mm | 23.4 | | 30.0 | | | 36.4 | | | 42.8 | | | |
| 最大额定转矩 Max. rated torque | kg.cm | 6 | | 10 | | | 20 | | | 20 | | | |
| 瞬间允许转矩 Short time permissible torque | kg.cm | 20 | | 30 | | | 60 | | | 60 | | | |
| 效率 Efficiency | % | 90% | | 81% | | | 73% | | | 66% | | | |
| 背隙(无负载时) Backlash at no-load | | 0.6° | | 1.0° | | | 1.5° | | | 1.5° | | | |
| 重量 Weight | g | 31 | | 37 | | | 43 | | | 49 | | | |

该款电机可以根据客户需求定制。

The motor can be designed & manufactured with customized request.

混合式步进行星齿轮减速电机(内齿圈材质: 金属)

Planetary Gear Stepper Motor (Ring Gear Material: Metal)

FL28STH/28JMS40K

Φ28 行星减速器, 允许转矩范围: 1.2N.m~4.0N.m
 28mm Planetary Gearbox
 Permissible Load Range: 1.2N.m~4.0N.m

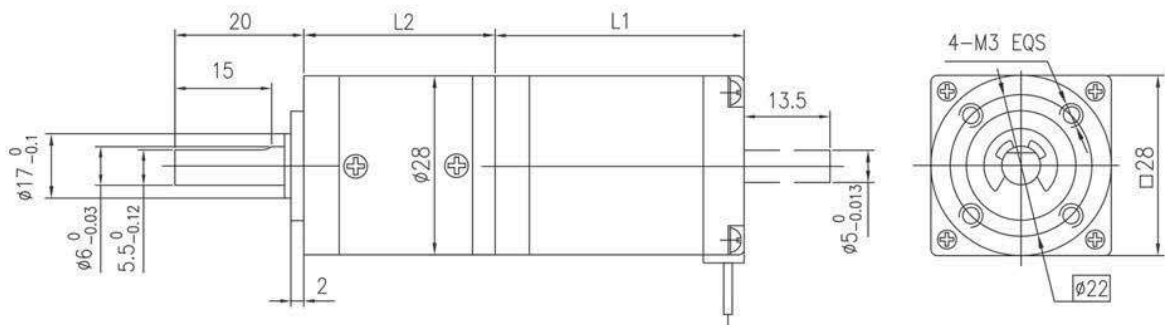
行星齿轮减速器 (Planetary Gearbox)

选件 Options



| | |
|--|--------------------|
| 内齿圈材料 Ring material | 金属 metal |
| 输出轴轴承形式 Bearing at output | 滚动轴承 Ball bearings |
| 最大允许径向负载 (离法兰 10mm 处) Max. Radial load (10mm from flange) | 100N |
| 最大允许轴向负载 Max. shaft axial load | 50N |
| 径向间隙 (测量点尽量接近法兰) Radial play of shaft (near to flange) | ≤0.07 mm |
| 轴向间隙 Axial play of shaft | ≤0.3 mm |

外形和安装尺寸 (Dimensions)



FL28STH混合式步进电机性能 (FL28STH Hybrid Stepping Motor Specifications)

| Model No. | 额定电压 | 每相电流 | 每相电阻 | 每相电感 | 保持转矩 | 引出线数 | 转动惯量 | 重量 | 长度 L1 | 适配减速比 |
|-----------------|---------------|----------------|-------------------|-------------------|----------------|------------|---------------------|--------|-----------|-----------------|
| | Rated Voltage | Current /Phase | Resistance /Phase | Inductance /Phase | Holding Torque | # of Leads | Rotor Inertia | Weight | Length L1 | Max. Gear Ratio |
| 单轴 Single Shaft | V | A | Ω | mH | g.cm | | kg-m ² | g | mm | |
| FL28STH45-0956A | 3.4 | 0.95 | 3.4 | 1.2 | 750 | 6 | 12x10 ⁻⁷ | 44.5 | 44.5 | ≤1:189 |
| FL28STH51-0956A | 4.4 | 0.95 | 4.6 | 1.8 | 900 | 6 | 18x10 ⁻⁷ | 50.5 | 50.5 | ≤1:189 |

行星减速器性能 (Planetary Gearbox Specifications)

| 减速比 Reduction ratio | | 3.71 | 5.18 | 14 | 19 | 27 | 51 | 72 | 100 | 139 | 189 | 264 | 369 |
|---|-------|-------|-------|----------|----------|----------|-------------|-------------|-------------|-------------|-------------|--------------|--------------|
| 精确减速比 Accurate Reduction Ratio | | 63/17 | 57/11 | 3969/289 | 3591/187 | 3249/121 | 250047/4913 | 226233/3179 | 204687/2057 | 185193/1331 | 538861/2857 | 1119000/4243 | 3661450/9929 |
| 减速级数 Number of gear trains | | 1 | | 2 | | | 3 | | | 4 | | | |
| 减速器长度(L2) Length(L2) | mm | 29.0 | | 36.1 | | | 43.0 | | | 49.9 | | | |
| 最大额定转矩 Max. rated torque | kg.cm | 12 | | 20 | | | 40 | | | 40 | | | |
| 瞬间允许转矩 Short time permissible torque | kg.cm | 40 | | 60 | | | 120 | | | 120 | | | |
| 效率 Efficiency | % | 90% | | 81% | | | 73% | | | 66% | | | |
| 背隙(无负载时) Backlash at no-load | | 0.6° | | 1.0° | | | 1.5° | | | 1.5° | | | |
| 重量 Weight | g | 75 | | 97 | | | 119 | | | 141 | | | |

该款电机可以根据客户需求定制。

The motor can be designed & manufactured with customized request.

混合式步进行星齿轮减速电机 (内齿圈材质: 金属和粉末金属)

Planetary Gear Stepper Motor (Ring Gear Material: Metal and Powder Metal)

FL35ST/36JMS60K
FL35ST/36JMFS60K

Φ36 行星减速器, 允许转矩范围: 1.8N.m~6.0N.m
36mm Planetary Gearbox
Permissible Load Range: 1.8N.m~6.0N.m

可在两种材料的内齿圈中进行选择: 金属 (型号36JMS60K), 粉末金属 (型号36JMFS60K)
Ring gear can be selected with the two materials: Metal (Type:36JMS60K), Powder metal (Type:36JMFS60K)

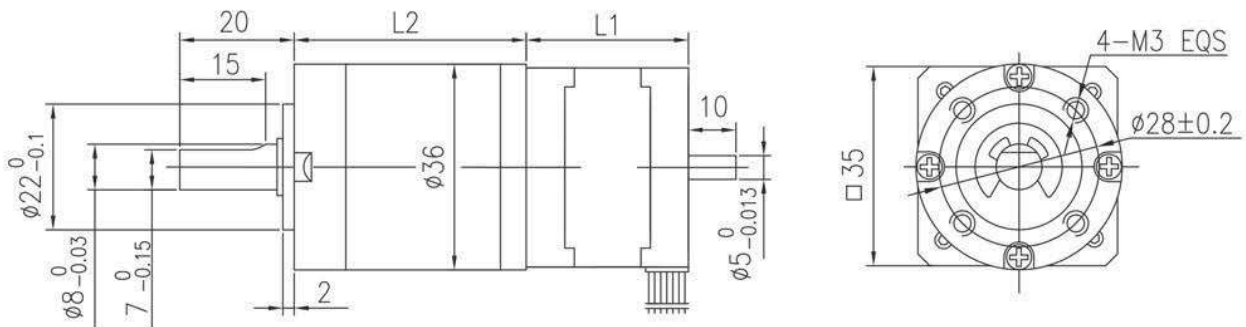
行星齿轮减速器 (Planetary Gearbox)

选件 Options



| 内齿圈材料 Ring material | 金属 metal | 金属粉末 Powder meta (F型) |
|--|--------------------|-----------------------|
| 输出轴轴承形式 Bearing at output | 滚动轴承 Ball bearings | |
| 最大允许径向负载 (离法兰 10mm 处) Max. Radial load (10mm from flange) | 100N | |
| 最大允许轴向负载 Max. shaft axial load | 50N | |
| 径向间隙 (测量点尽量接近法兰) Radial play of shaft (near to flange) | ≤0.07 mm | |
| 轴向间隙 Axial play of shaft | ≤0.3 mm | |

外形和安装尺寸 (Dimensions)



FL35ST混合式步进电机性能 (FL35ST Hybrid Stepping Motor Specifications)

| Model No. | 额定电压 | 每相电流 | 每相电阻 | 每相电感 | 保持转矩 | 引出线数 | 转动惯量 | 重量 | 长度 L1 | 适配减速比 |
|-----------------|---------------|----------------|-------------------|-------------------|----------------|------------|-------------------|--------|-----------|-----------------|
| | Rated Voltage | Current /Phase | Resistance /Phase | Inductance /Phase | Holding Torque | # of Leads | Rotor Inertia | Weight | Length L1 | Max. Gear Ratio |
| 单轴 Single Shaft | V | A | Ω | mH | g.cm | | kg-m ² | g | mm | |
| FL35ST28-0504A | 10 | 0.5 | 20 | 14 | 1000 | 4 | 11 | 140 | 28 | 1:264 |
| FL35ST36-1004A | 2.7 | 1.0 | 2.7 | 4.3 | 1400 | 4 | 14 | 180 | 36 | 1:189 |

行星减速器性能 (Planetary Gearbox Specifications)

| 减速比 Reduction ratio | | 3.71 | 5.18 | 14 | 19 | 27 | 51 | 72 | 100 | 139 |
|---|-------|-------|-------|----------|----------|----------|-------------|-------------|-------------|-------------|
| 精确减速比 Accurate Reduction Ratio | | 63/17 | 57/11 | 3969/289 | 3591/187 | 3249/121 | 250047/4913 | 226233/3179 | 204687/2057 | 185193/1331 |
| 减速级数 Number of gear trains | | 1 | | 2 | | | 3 | | | |
| 减速器长度(L2) Length(L2) | mm | 27.0 | | 34.2 | | | 41.1 | | | |
| 最大额定转矩 Max. rated torque | kg.cm | 20 | | 30 | | | 60 | | | |
| 瞬间允许转矩 Short time permissible torque | kg.cm | 60 | | 90 | | | 180 | | | |
| 效率 Efficiency | % | 90% | | 81% | | | 73% | | | |
| 背隙 (无负载时) Backlash at no-load | | 0.5° | | 1.0° | | | 1.5° | | | |
| 重量 Weight | g | 134 | | 173 | | | 212 | | | |

该款电机可以根据客户需求定制。

The motor can be designed & manufactured with customized request.

混合式步进行星齿轮减速电机 (内齿圈材质: 金属和粉末金属)

Planetary Gear Stepper Motor (Ring Gear Material: Metal and Powder Metal)

FL42STH/36JMS60K
FL42STH/36JMFS60K

Φ36 行星减速器, 允许转矩范围: 1.8N.m~6.0N.m
36mm Planetary Gearbox
Permissible Load Range: 1.8N.m~6.0N.m

可在两种材料的内齿圈中进行选择: 金属 (型号36JMS60K), 粉末金属 (型号36JMFS60K)
Ring gear can be selected with the two materials: Metal (Type:36JMS60K), Powder metal (Type:36JMFS60K)

行星齿轮减速器 (Planetary Gearbox)

选件 Options

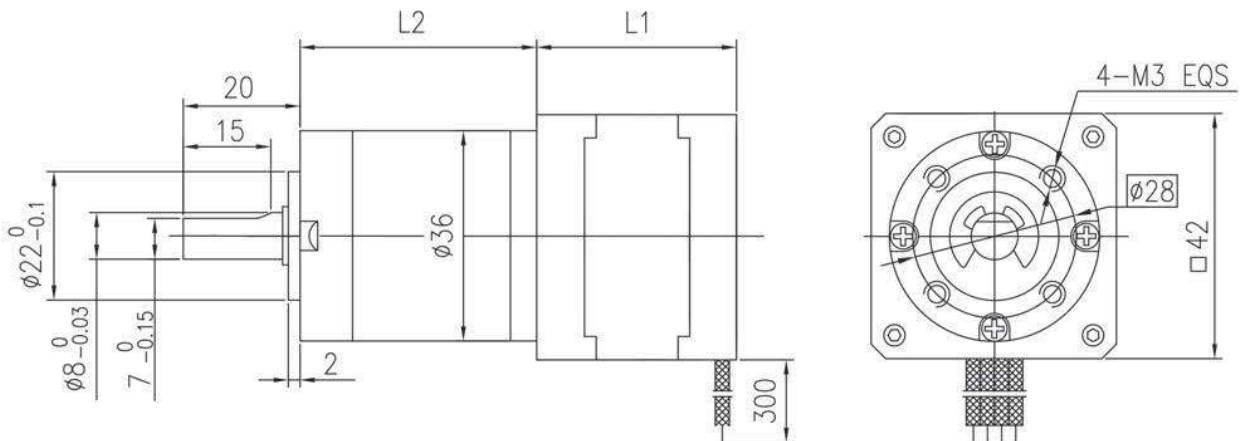


接插件 编码器



| | |
|--|---------------------------------|
| 内齿圈材料 Ring material | 金属 metal 金属粉末 Powder meta (F 型) |
| 输出轴轴承形式 Bearing at output | 滚动轴承 Ball bearings |
| 最大允许径向负载 (离法兰 10mm 处) Max. Radial load (10mm from flange) | 100N |
| 最大允许轴向负载 Max. shaft axial load | 50N |
| 径向间隙 (测量点尽量接近法兰) Radial play of shaft (near to flange) | ≤0.07 mm |
| 轴向间隙 Axial play of shaft | ≤0.3 mm |

外形和安装尺寸 (Dimensions)



FL42STH混合式步进电机性能 (FL42ST Hybrid Stepping Motor Specifications)

| Model No. | 额定电压 | 每相电流 | 每相电阻 | 每相电感 | 保持转矩 | 引出线数 | 转动惯量 | 重量 | 长度 L1 | 适配减速比 |
|-----------------|---------------|----------------|-------------------|-------------------|----------------|------------|------------------|--------|-----------|-----------------|
| | Rated Voltage | Current /Phase | Resistance /Phase | Inductance /Phase | Holding Torque | # of Leads | Rotor Inertia | Weight | Length L1 | Max. Gear Ratio |
| 单轴 Single Shaft | V | A | Ω | mH | kg.cm | | g-m ² | kg | mm | |
| FL42STH33-0316A | 12 | 0.31 | 38.5 | 21 | 1.6 | 6 | 35 | 0.22 | 34 | ≤1:100 |
| FL42STH33-1334A | 2.8 | 1.33 | 2.1 | 2.5 | 2.2 | 4 | 35 | 0.22 | 34 | ≤1:71 |

行星减速器性能 (Planetary Gearbox Specifications)

| | | | | | | | | | | |
|---|-------|-------------------------------|-------------------------------|----------------------------------|----------------------------------|----------------------------------|-------------------------------------|-------------------------------------|-------------------------------------|-------------------------------------|
| 减速比 Reduction ratio | | 3.71 | 5.18 | 14 | 19 | 27 | 51 | 72 | 100 | 139 |
| 精确减速比 Accurate Reduction Ratio | | ⁶³ / ₁₇ | ⁵⁷ / ₁₁ | ³⁹⁶⁹ / ₂₈₉ | ³⁵⁹¹ / ₁₈₇ | ³²⁴⁹ / ₁₂₁ | ²⁵⁰⁰⁴⁷ / ₄₉₁₃ | ²²⁶²³³ / ₃₁₇₉ | ²⁰⁴⁶⁸⁷ / ₂₀₅₇ | ¹⁸⁵¹⁹³ / ₁₃₃₁ |
| 减速级数 Number of gear trains | | 1 | | | 2 | | 3 | | | |
| 减速器长度(L2) Length(L2) | mm | 27.0 | | | 34.2 | | 41.1 | | | |
| 最大额定转矩 Max. rated torque | kg.cm | 20 | | | 30 | | 60 | | | |
| 瞬间允许转矩 Short time permissible torque | kg.cm | 60 | | | 90 | | 180 | | | |
| 效率 Efficiency | % | 90% | | | 81% | | 73% | | | |
| 背隙 (无负载时) Backlash at no-load | | 0.5° | | | 1.0° | | 1.5° | | | |
| 重量 Weight | g | 158 | | | 197 | | 236 | | | |

该款电机可以根据客户需求定制。

The motor can be designed & manufactured with customized request.

混合式步进行星齿轮减速电机 (内齿圈材质: 金属)

Planetary Gear Stepper Motor (Ring Gear Material: Metal)

FL42STH/42JMGS100K

Φ42 行星减速器, 允许转矩范围: 3N.m~10N.m
 42mm Planetary Gearbox
 Permissible Load Range: 3N.m~10N.m

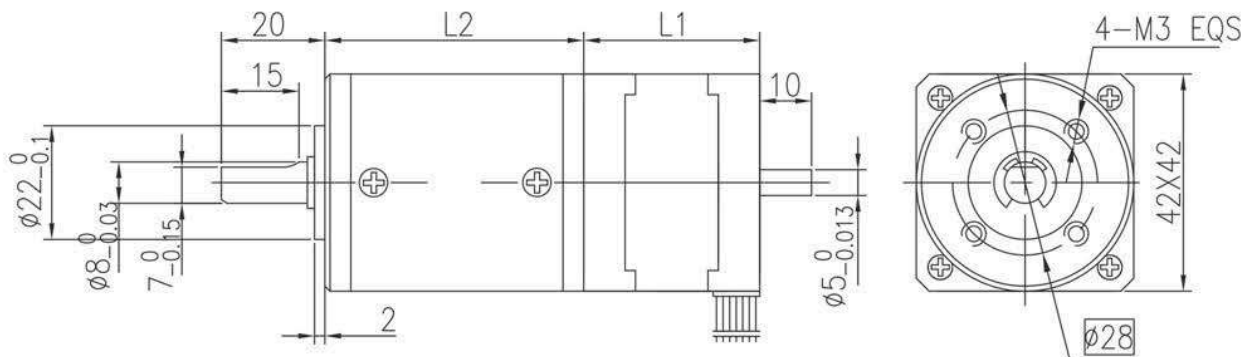
行星齿轮减速器 (Planetary Gearbox)

选件 Options



| | |
|--|--------------------|
| 内齿圈材料 Ring material | 金属 metal |
| 输出轴轴承形式 Bearing at output | 滚动轴承 Ball bearings |
| 最大允许径向负载 (离法兰 10mm 处) Max. Radial load (10mm from flange) | 100N |
| 最大允许轴向负载 Max. shaft axial load | 50N |
| 径向间隙 (测量点尽量接近法兰) Radial play of shaft (near to flange) | ≤0.07 mm |
| 轴向间隙 Axial play of shaft | ≤0.3 mm |

外形和安装尺寸 (Dimensions)



FL42STH混合式步进电机性能 (FL42ST Hybrid Stepping Motor Specifications)

| Model No. | 额定电压 | 每相电流 | 每相电阻 | 每相电感 | 保持转矩 | 引出线数 | 转动惯量 | 重量 | 长度 L1 | 适配减速比 |
|-----------------|---------------|----------------|-------------------|-------------------|----------------|------------|------------------|--------|-----------|-----------------|
| | Rated Voltage | Current /Phase | Resistance /Phase | Inductance /Phase | Holding Torque | # of Leads | Rotor Inertia | Weight | Length L1 | Max. Gear Ratio |
| 单轴 Single Shaft | V | A | Ω | mH | kg.cm | | g-m ² | kg | mm | |
| FL42STH33-1334A | 2.8 | 1.33 | 2.1 | 2.5 | 2.2 | 4 | 35 | 0.22 | 34 | ≤1:118 |
| FL42STH38-1684A | 2.8 | 1.68 | 1.65 | 3.2 | 3.6 | 4 | 54 | 0.28 | 40 | ≤1:91 |

行星减速器性能 (Planetary Gearbox Specifications)

| 减速比 Reduction ratio | | 3.82 | 4.88 | 15 | 19 | 24 | 56 | 71 | 91 | 116 | 213 | 271 | 346 |
|---|-------|-------|------|----------|--------|---------|------------|-----------|-----------|-----------|-------------|-------------|-------------|
| 精确减速比 Accurate Reduction Ratio | | 42/11 | 39/8 | 1764/121 | 819/44 | 1521/64 | 74088/1331 | 17199/242 | 31941/352 | 59319/512 | 411889/1938 | 361179/1331 | 670761/1936 |
| 减速级数 Number of gear trains | | 1 | | 2 | | | 3 | | | 4 | | | |
| 减速器长度(L2) Length(L2) | mm | 36.9 | | 47.4 | | | 57.7 | | | 68.0 | | | |
| 最大额定转矩 Max. rated torque | kg.cm | 30 | | 50 | | | 100 | | | 100 | | | |
| 瞬间允许转矩 Short time permissible torque | kg.cm | 90 | | 150 | | | 300 | | | 300 | | | |
| 效率 Efficiency | % | 90% | | 81% | | | 73% | | | 66% | | | |
| 背隙(无负载时) Backlash at no-load | | 0.5° | | 1.0° | | | 1.5° | | | 1.5° | | | |
| 重量 Weight | g | 229 | | 300 | | | 371 | | | 442 | | | |

该款电机可以根据客户需求定制。

The motor can be designed & manufactured with customized request.

混合式步进行星齿轮减速电机 (内齿圈材质: 金属和粉末金属)

Planetary Gear Stepper Motor (Ring Gear Material: Metal and Powder Metal)

FL42STH/42JMS100K
FL42STH/42JMFS100K

Φ42 行星减速器, 允许转矩范围: 3N.m~10N.m
42mm Planetary Gearbox
Permissible Load Range: 3N.m~10N.m

可在两种材料的内齿圈中进行选择: 金属 (型号42JMS100K), 粉末金属 (型号42JMFS100K)
Ring gear can be selected with the two materials: Metal (Type:42JMS100K), Powder metal (Type:42JMFS100K)

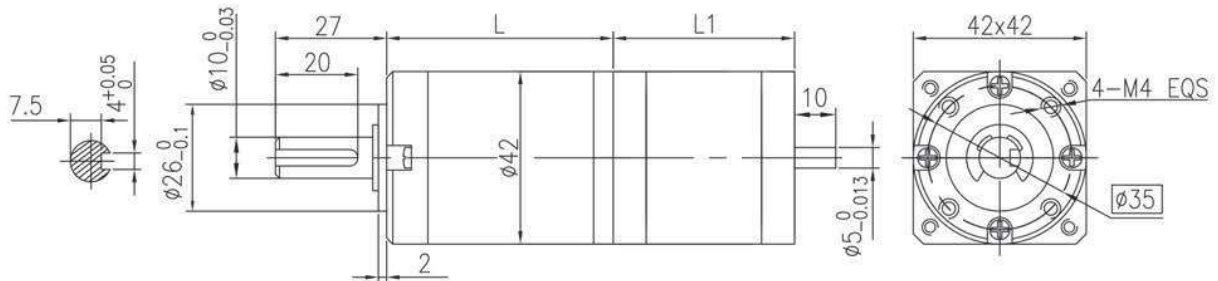
行星齿轮减速器 (Planetary Gearbox)

选件 Options



| 内齿圈材料 Ring material | 金属 metal 金属粉末 Powder meta(F 型) |
|--|--------------------------------|
| 输出轴轴承形式 Bearing at output | 滚动轴承 Ball bearings |
| 最大允许径向负载 (离法兰 12mm 处) Max. Radial load (12mm from flange) | 200N |
| 最大允许轴向负载 Max. shaft axial load | 100N |
| 径向间隙 (测量点尽量接近法兰) Radial play of shaft (near to flange) | ≤0.06 mm |
| 轴向间隙 Axial play of shaft | ≤0.3 mm |

外形和安装尺寸 (Dimensions)



FL42STH混合式步进电机性能 (FL42ST Hybrid Stepping Motor Specifications)

| Model No. | 额定电压 | 每相电流 | 每相电阻 | 每相电感 | 保持转矩 | 引出线数 | 转动惯量 | 重量 | 长度 L1 | 适配减速比 |
|-----------------|---------------|----------------|-------------------|-------------------|----------------|------------|------------------|--------|-----------|-----------------|
| | Rated Voltage | Current /Phase | Resistance /Phase | Inductance /Phase | Holding Torque | # of Leads | Rotor Inertia | Weight | Length L1 | Max. Gear Ratio |
| 单轴 Single Shaft | V | A | Ω | mH | kg.cm | | g-m ² | kg | mm | |
| FL42STH33-1334A | 2.8 | 1.33 | 2.1 | 2.5 | 2.2 | 4 | 35 | 0.22 | 34 | ≤1:189 |
| FL42STH38-1684A | 2.8 | 1.68 | 1.65 | 3.2 | 3.6 | 4 | 54 | 0.28 | 40 | ≤1:71 |

行星减速器性能 (Planetary Gearbox Specifications)

| 减速比 Reduction ratio | | 3.71 | 5.18 | 14 | 19 | 27 | 51 | 71 | 100 | 139 | 189 | 264 | 369 |
|---|-------|-------|-------|----------|----------|----------|-------------|-------------|-------------|-------------|-------------|--------------|--------------|
| 精确减速比 Accurate Reduction Ratio | | 63/17 | 57/11 | 3969/289 | 3591/187 | 3249/121 | 250047/4913 | 226233/3179 | 204687/2057 | 185193/1331 | 538861/2857 | 1119000/4243 | 3661450/9929 |
| 减速级数 Number of gear trains | | 1 | | 2 | | | 3 | | | | 4 | | |
| 减速器长度(L2) Length(L2) | mm | 31.5 | | 42.1 | | | 52.5 | | | | 62.9 | | |
| 最大额定转矩 Max. rated torque | kg.cm | 30 | | 50 | | | 100 | | | | 100 | | |
| 瞬间允许转矩 Short time permissible torque | kg.cm | 90 | | 150 | | | 300 | | | | 300 | | |
| 效率 Efficiency | % | 90% | | 81% | | | 73% | | | | 66% | | |
| 背隙(无负载时) Backlash at no-load | | 0.6° | | 0.5° | | | 1.0° | | | | 1.5° | | |
| 重量 Weight | g | 208 | | 290 | | | 372 | | | | 454 | | |

该款电机可以根据客户需求定制。

The motor can be designed & manufactured with customized request.

混合式步进行星齿轮减速电机 (内齿圈材质: 金属)

Planetary Gear Stepper Motor (Ring Gear Material: Metal)

FL42STH/42JXGS200K

Φ42 行星减速器, 允许转矩范围: 6N.m~20N.m
42mm Planetary Gearbox
Permissible Load Range: 6N.m~20N.m

行星齿轮减速器 (Planetary Gearbox)

选件 Options

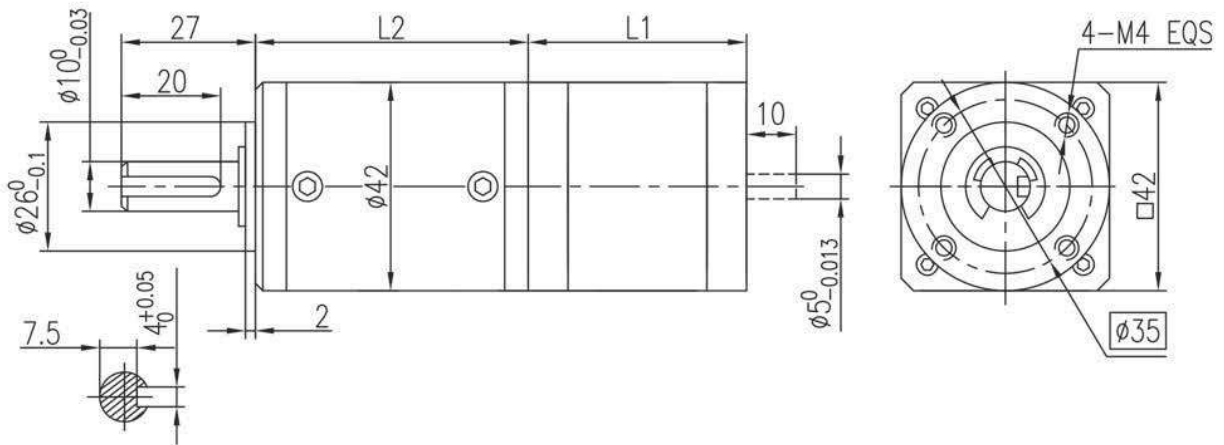


接插件 编码器



| | |
|--|--------------------|
| 内齿圈材料 Ring material | 金属 metal |
| 输出轴承形式 Bearing at output | 滚动轴承 Ball bearings |
| 最大允许径向负载 (离法兰 12mm 处) Max. Radial load (12mm from flange) | 200N |
| 最大允许轴向负载 Max. shaft axial load | 100N |
| 径向间隙 (测量点尽量接近法兰) Radial play of shaft (near to flange) | ≤0.06 mm |
| 轴向间隙 Axial play of shaft | ≤0.3 mm |

外形和安装尺寸 (Dimensions)



FL42STH混合式步进电机性能 (FL42ST Hybrid Stepping Motor Specifications)

| Model No. | 额定电压 | 每相电流 | 每相电阻 | 每相电感 | 保持转矩 | 引出线数 | 转动惯量 | 重量 | 长度 L1 | 适配 减速比 |
|-----------------|---------------|----------------|-------------------|-------------------|----------------|------------|------------------|--------|-----------|-----------------|
| | Rated Voltage | Current /Phase | Resistance /Phase | Inductance /Phase | Holding Torque | # of Leads | Rotor Inertia | Weight | Length L1 | Max. Gear Ratio |
| 单轴 Single Shaft | V | A | Ω | mH | kg.cm | | g-m ² | kg | mm | |
| FL42STH38-1684A | 2.8 | 1.68 | 1.65 | 3.2 | 3.6 | 4 | 54 | 0.28 | 40 | $\leq 1:247$ |
| FL42STH47-1684A | 2.8 | 1.68 | 1.65 | 2.8 | 4.4 | 4 | 68 | 0.35 | 48 | $\leq 1:106$ |

行星减速器性能 (Planetary Gearbox Specifications)

| 减速比 Reduction ratio | | 4.44 | 17 | 22 | 65 | 83 | 106 | 247 | 316 | 403 | 515 |
|---|-------|------|--------|------------|----------|------------|-------|-------------|-----------|----------|----------|
| 精确减速比 Accurate Reduction Ratio | | 40/9 | 560/33 | 43329/2000 | 7840/121 | 82719/1000 | 845/8 | 748328/3025 | 38220/121 | 17745/44 | 32955/64 |
| 减速级数 Number of gear trains | | 1 | 2 | | 3 | | | 4 | | | |
| 减速器长度(L2) Length(L2) | mm | 39.2 | 49.7 | | 60.0 | | | 70.3 | | | |
| 最大额定转矩 Max. rated torque | kg.cm | 60 | 100 | | 200 | | | 200 | | | |
| 瞬间允许转矩 Short time permissible torque | kg.cm | 180 | 300 | | 600 | | | 600 | | | |
| 效率 Efficiency | % | 90% | 81% | | 73% | | | 66% | | | |
| 背隙(无负载时) Backlash at no-load | | 0.5° | 1.0° | | 1.5° | | | 1.5° | | | |
| 重量 Weight | g | 261 | 340 | | 419 | | | 498 | | | |

该款电机可以根据客户需求定制。

The motor can be designed & manufactured with customized request.

混合式步进行星齿轮减速电机 (内齿圈材质: 金属)

Planetary Gear Stepper Motor (Ring Gear Material: Metal)

FL42STH/52JMS300K $\Phi 52$ 行星减速器, 允许转矩范围: 9N.m~30N.m
 52mm Planetary Gearbox
 Permissible Load Range: 9N.m~30N.m

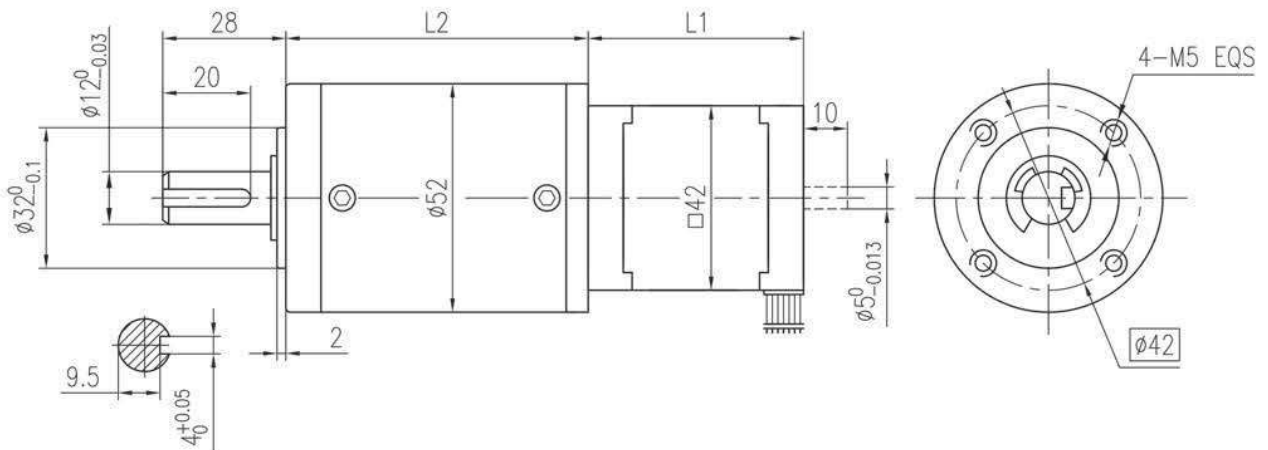
行星齿轮减速器 (Planetary Gearbox)

选件 Options



| | |
|--|--------------------|
| 内齿圈材料 Ring material | 金属 metal |
| 输出轴轴承形式 Bearing at output | 滚动轴承 Ball bearings |
| 最大允许径向负载 (离法兰 12mm 处) Max. Radial load (12mm from flange) | 300N |
| 最大允许轴向负载 Max. shaft axial load | 200N |
| 径向间隙 (测量点尽量接近法兰) Radial play of shaft (near to flange) | ≤ 0.08 mm |
| 轴向间隙 Axial play of shaft | ≤ 0.3 mm |

外形和安装尺寸 (Dimensions)



FL42STH混合式步进电机性能 (FL42ST Hybrid Stepping Motor Specifications)

| Model No. | 额定电压 | 每相电流 | 每相电阻 | 每相电感 | 保持转矩 | 引出线数 | 转动惯量 | 重量 | 长度 L1 | 适配减速比 |
|-----------------|---------------|----------------|-------------------|-------------------|----------------|------------|------------------|--------|-----------|-----------------|
| | Rated Voltage | Current /Phase | Resistance /Phase | Inductance /Phase | Holding Torque | # of Leads | Rotor Inertia | Weight | Length L1 | Max. Gear Ratio |
| 单轴 Single Shaft | V | A | Ω | mH | kg.cm | | g-m ² | kg | mm | |
| FL42STH47-1684A | 2.8 | 1.68 | 1.65 | 2.8 | 4.4 | 4 | 102 | 0.50 | 60 | ≤1:187 |
| FL42STH60-1206A | 7.2 | 1.2 | 6 | 7 | 5.6 | 6 | 102 | 0.50 | 60 | ≤1:187 |

行星减速器性能 (Planetary Gearbox Specifications)

| 减速比 Reduction ratio | | 3.60 | 4.25 | 13 | 15 | 18 | 23 | 47 | 55 | 65 | 77 | 96 | 121 | 154 | 187 |
|---|-------|--------|--------|----------|----------|----------|--------|------------|-----------|-----------|-----------|---------|----------|-------------|-------------|
| 精确减速比 Accurate Reduction Ratio | | $18/5$ | $17/4$ | $324/25$ | $153/10$ | $289/16$ | $68/3$ | $5932/125$ | $1337/25$ | $2601/40$ | $4913/64$ | $289/3$ | $1088/8$ | $30277/197$ | $23328/125$ |
| 减速级数 Number of gear trains | | 1 | | 2 | | | 2 | | | | | | 4 | | |
| 减速器长度(L2) Length(L2) | mm | 45.7 | | 57.2 | | | 68.5 | | | | | | 79.8 | | |
| 最大额定转矩 Max. rated torque | kg.cm | 90 | | 150 | | | 300 | | | | | | 300 | | |
| 瞬间允许转矩 Short time permissible torque | kg.cm | 270 | | 450 | | | 900 | | | | | | 900 | | |
| 效率 Efficiency | % | 90% | | 81% | | | 73% | | | | | | 66% | | |
| 背隙 (无负载时) Backlash at no-load | | 0.5° | | 1.0° | | | 1.5° | | | | | | 1.5° | | |
| 重量 Weight | g | 428 | | 554 | | | 680 | | | | | | 810 | | |

该款电机可以根据客户需求定制。

The motor can be designed & manufactured with customized request.

混合式步进行星齿轮减速电机 (内齿圈材质: 金属)

Planetary Gear Stepper Motor (Ring Gear Material: Metal)

FL57STH/ 56JMS300K

Φ56 行星减速器, 允许转矩范围: 9N.m~30N.m
 56mm Planetary Gearbox
 Permissible Load Range: 9N.m~30N.m

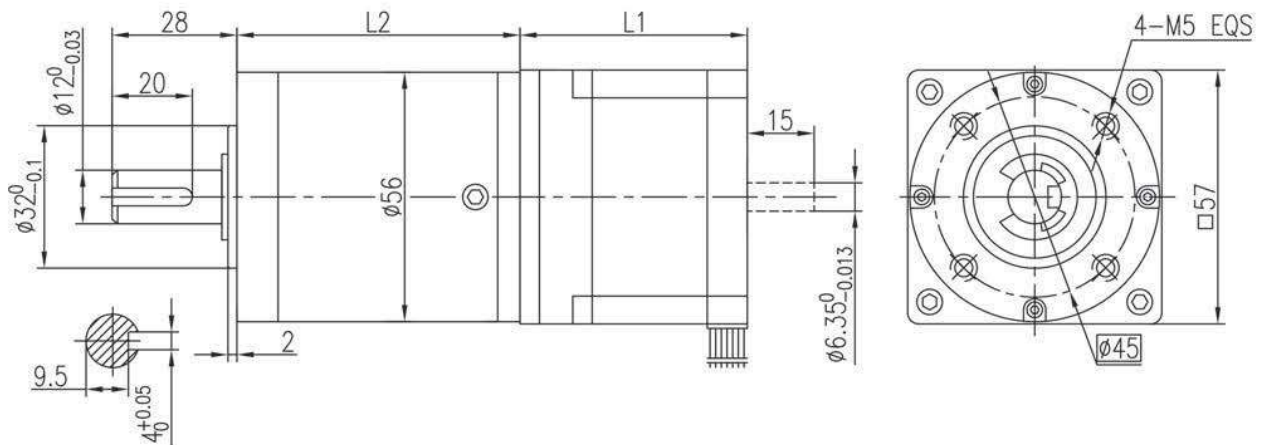
行星齿轮减速器 (Planetary Gearbox)

选件 Options



| | |
|--|--------------------|
| 内齿圈材料 Ring material | 金属 metal |
| 输出轴轴承形式 Bearing at output | 滚动轴承 Ball bearings |
| 最大允许径向负载 (离法兰 12mm 处) Max. Radial load (12mm from flange) | 300N |
| 最大允许轴向负载 Max. shaft axial load | 200N |
| 径向间隙 (测量点尽量接近法兰) Radial play of shaft (near to flange) | ≤0.08 mm |
| 轴向间隙 Axial play of shaft | ≤0.4 mm |

外形和安装尺寸 (Dimensions)



57STH混合式步进电机性能 (57STH Hybrid Stepping Motor Specifications)

| Model No. | 额定电压 | 每相电流 | 每相电阻 | 每相电感 | 保持转矩 | 引出线数 | 转动惯量 | 重量 | 长度 L1 | 适配减速比 |
|-----------------|---------------|----------------|-------------------|-------------------|----------------|------------|------------------|--------|-----------|-----------------|
| | Rated Voltage | Current /Phase | Resistance /Phase | Inductance /Phase | Holding Torque | # of Leads | Rotor Inertia | Weight | Length L1 | Max. Gear Ratio |
| 单轴 Single Shaft | V | A | Ω | mH | kg.cm | | g-m ² | kg | mm | |
| FL57STH51-2804A | 2.3 | 2.8 | 0.83 | 2.2 | 10.1 | 4 | 275 | 0.65 | 51 | ≤1:77 |
| FL57STH56-2804A | 2.5 | 2.8 | 0.9 | 2.5 | 12.6 | 4 | 300 | 0.70 | 56 | ≤1:77 |

行星减速器性能 (Planetary Gearbox Specifications)

| 减速比 Reduction ratio | | 3.60 | 4.25 | 13 | 15 | 18 | 23 | 47 | 55 | 65 | 77 | 96 | 121 | 154 | 187 |
|---|-------|--------|--------|----------|----------|----------|--------|------------|-----------|-----------|-----------|---------|----------|-------------|-------------|
| 精确减速比 Accurate Reduction Ratio | | $18/5$ | $17/4$ | $324/25$ | $153/10$ | $289/16$ | $68/3$ | $5932/125$ | $1337/25$ | $2601/40$ | $4913/64$ | $289/3$ | $1088/8$ | $30277/197$ | $23328/125$ |
| 减速级数 Number of gear trains | | 1 | | 2 | | | 2 | | | | | 4 | | | |
| 减速器长度(L2) Length(L2) | mm | 37.8 | | 49.4 | | | 60.8 | | | | | 71.9 | | | |
| 最大额定转矩 Max. rated torque | kg.cm | 90 | | 150 | | | 300 | | | | | 300 | | | |
| 瞬间允许转矩 Short time permissible torque | kg.cm | 270 | | 450 | | | 900 | | | | | 900 | | | |
| 效率 Efficiency | % | 90% | | 81% | | | 73% | | | | | 66% | | | |
| 背隙 (无负载时) Backlash at no-load | | 0.5° | | 0.5° | | | 1.0° | | | | | 1.5° | | | |
| 重量 Weight | g | 455 | | 610 | | | 765 | | | | | 920 | | | |

该款电机可以根据客户需求定制。

The motor can be designed & manufactured with customized request.

混合式步进行星齿轮减速电机 (内齿圈材质: 金属)

Planetary Gear Stepper Motor (Ring Gear Material: Metal)

FL60STH/60JMS300K

Φ60 行星减速器, 允许转矩范围: 9N.m~30N.m
60mm Planetary Gearbox
Permissible Load Range: 9N.m~30N.m

行星齿轮减速器 (Planetary Gearbox)

选件 Options

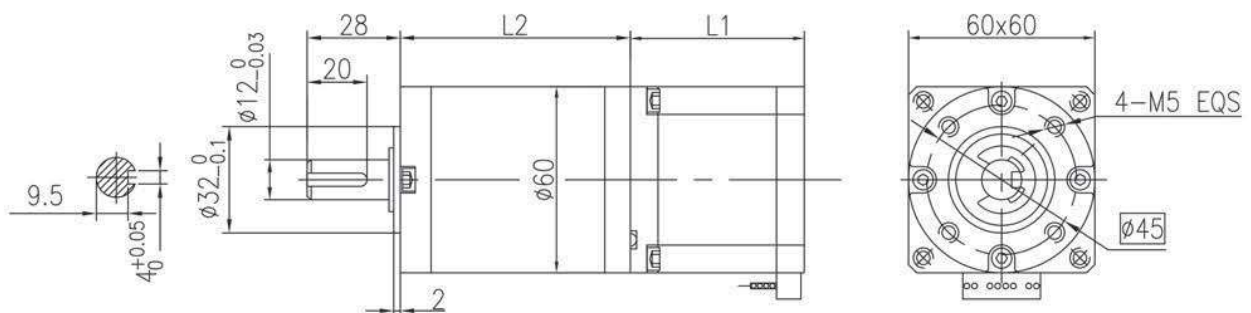


接插件 编码器 刹车



| | |
|--|--------------------|
| 内齿圈材料 Ring material | 金属 metal |
| 输出轴轴承形式 Bearing at output | 滚动轴承 Ball bearings |
| 最大允许径向负载 (离法兰 12mm 处) Max. Radial load (12mm from flange) | 300N |
| 最大允许轴向负载 Max. shaft axial load | 200N |
| 径向间隙 (测量点尽量接近法兰) Radial play of shaft (near to flange) | ≤0.08 mm |
| 轴向间隙 Axial play of shaft | ≤0.4 mm |

外形和安装尺寸 (Dimensions)



FL60STH混合式步进电机性能 (FL60STH Hybrid Stepping Motor Specifications)

| Model No. | | 额定电压 | 每相电流 | 每相电阻 | 每相电感 | 保持转矩 | 引出线数 | 转动惯量 | 重量 | 长度 L1 | 适配减速比 |
|------------------|----|---------------|----------------|-------------------|-------------------|----------------|------------|------------------|--------|-----------|-----------------|
| | | Rated Voltage | Current /Phase | Resistance /Phase | Inductance /Phase | Holding Torque | # of Leads | Rotor Inertia | Weight | Length L1 | Max. Gear Ratio |
| 单轴 Single Shaft | | V | A | Ω | mH | kg.cm | | g-m ² | kg | mm | |
| FL60STH45-2008AF | 并联 | 2.1 | 2.8 | 0.75 | 2 | 11 | 8 | 275 | 0.6 | 47 | ≤1:115 |
| FL60STH56-2008AF | 并联 | 2.52 | 2.8 | 0.9 | 3.6 | 16.5 | 8 | 300 | 0.77 | 56 | ≤1:77 |

行星减速器性能 (Planetary Gearbox Specifications)

| 减速比 Reduction ratio | | 3.60 | 4.25 | 13 | 15 | 18 | 23 | 47 | 55 | 65 | 77 | 96 | 121 |
|---|-------|------|------|--------|--------|--------|------|----------|---------|---------|---------|-------|--------|
| 精确减速比 Accurate Reduction Ratio | | 18/5 | 17/4 | 324/25 | 153/10 | 289/16 | 68/3 | 5932/125 | 1337/25 | 2601/40 | 4913/64 | 289/3 | 1088/8 |
| 减速级数 Number of gear trains | | 1 | | 2 | | | | 3 | | | | | |
| 减速器长度(L2) Length(L2) | mm | 37.8 | | 49.4 | | | | 60.8 | | | | | |
| 最大额定转矩 Max. rated torque | kg.cm | 90 | | 150 | | | | 300 | | | | | |
| 瞬间允许转矩 Short time permissible torque | kg.cm | 270 | | 450 | | | | 900 | | | | | |
| 效率 Efficiency | % | 90% | | 81% | | | | 73% | | | | | |
| 背隙 (无负载时) Backlash at no-load | | 0.5° | | 1.0° | | | | 1.5° | | | | | |
| 重量 Weight | g | 500 | | 688 | | | | 876 | | | | | |

该款电机可以根据客户需求定制。

The motor can be designed & manufactured with customized request.

1.8° 42mm

内置驱动型混合式步进电机 Hybrid Stepper Motor With built-in Driver

特性概要 (General specification)

选件 Options

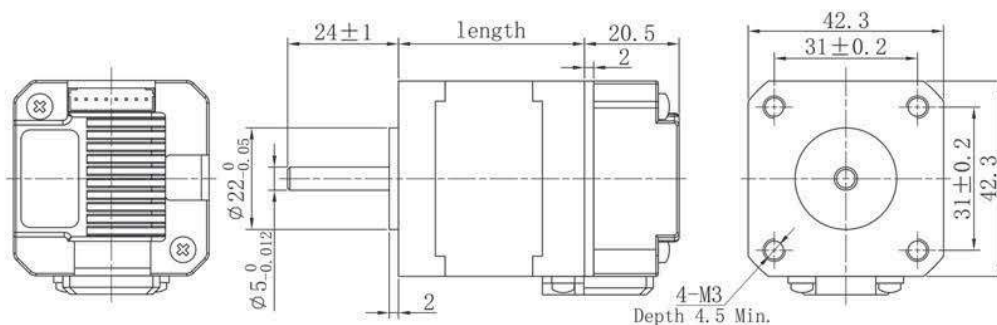


| 项目 (Item) | 说明 (Specifications) |
|--------------------------------|-------------------------------------|
| 步距角 (Step Angle) | 1.8° |
| 步距角精度 (Step Angle Accuracy) | ±5% (整步, 空载)(full step, no load) |
| 径向间隙 (Shaft Radial Play) | 0.02mm@450 g-load |
| 轴向间隙 (Shaft Axial Play) | 0.08mm@450 g-load |
| 最大径向负载 (Max. radial force) | 28N 距法兰 20mm (20mm from the flange) |
| 最大轴向负载 (Max. axial force) | 10N |
| 介电强度 (Dielectric Strength) | 600VAC /1s |
| 绝缘电阻 (Insulation Resistance) | 100MΩ ,500VDC |
| 环境温度 (Ambient Temperature) | -20· C~+50· C |
| 绝缘等级 (Insulation Class) | Class B |

电性能 (Electrical specifications)

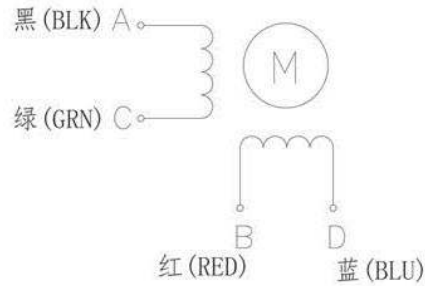
| 型号 (Model No.) | Current /Phase 每相 电流 | Resistance /Phase 每相 电阻 | Inductance /Phase 每相 电感 | Holding Torque 保持 转矩 | Detent Torque 定位 转矩 | # of Leads 引出 线数 | Rotor Inertia 转动惯量 | Weight 重量 | Length 机身 长度 |
|-------------------------|----------------------------|-------------------------------|-------------------------------|----------------------------|---------------------------|------------------------|-----------------------|--------------|--------------------|
| 单出轴 (Single SHAFT) | A | Ω | mH | N.m | N.m | # | g-cm ² | kg | mm |
| FL42STH33-1334A-IE2 | 1.33 | 2.1 | 2.5 | 0.22 | 0.012 | 4 | 35 | 0.22 | 33.5±1 |
| FL42STH38-1684A-IE4 | 1.68 | 1.65 | 3.2 | 0.36 | 0.015 | 4 | 54 | 0.28 | 39.5±1 |
| FL42STH47-1684A-IE4 | 1.68 | 1.65 | 2.8 | 0.44 | 0.02 | 4 | 68 | 0.35 | 47.5±1 |

机械尺寸 (Dimension)



■ 接线图 (Wiring Diagram)

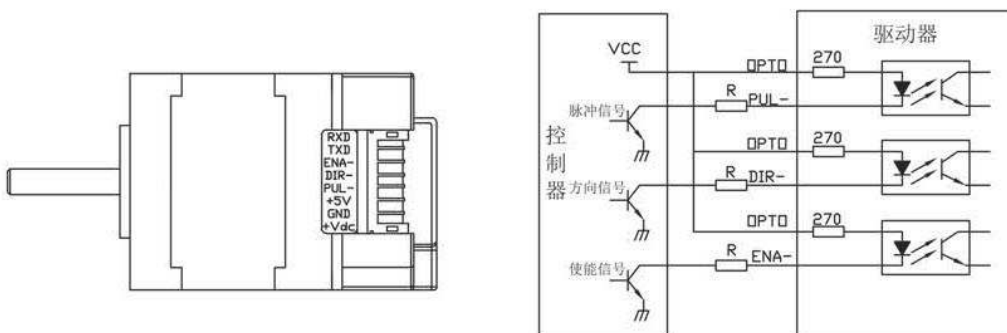
4 线 (leads)



■ 驱动器电气指标 (Drive electrical indicator)

| 说明 (Specifications) | 最小值 (Min.) | 典型值 (Typ.) | 最大值 (Max.) | 单位 (Unit) |
|---|------------|------------|------------|-----------|
| 输入电压 (直流) / Input voltage (DC) | 12 | 24 | 32 | Vdc |
| 输出电流 (峰值) / Output current (peak) | 0.5 | - | 2.2 | A |
| 步进脉冲频率 / Step pulse frequency | 0 | - | 200 | KHz |
| 脉冲电压 / Pulse voltage | - | 5 | 5 | Vdc |
| 控制信号输入电流 / Control signal input current | 7 | 10 | 16 | mA |
| 绝缘电阻 / Insulation resistance | 100 | - | - | MΩ |

■ 系统连接框图 (System connection diagram)



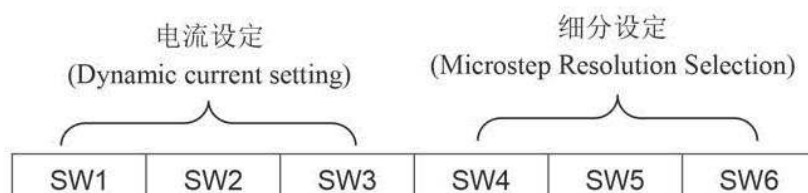
该款电机可以根据客户需求定制。

The motor can be designed & manufactured with customized request.

■ 控制信号输入端接口 (Control signal input interface)

| 引脚说明 (Pin description) | 功能 (Function) |
|---------------------------|---|
| +Vdc | 电源电压：12~32 Vdc，包括电压波动和 EMF 电压。 Power supply:12~32 Vdc, Including voltage fluctuation and EMF voltage. |
| GND | 接地(Power Ground) |
| OPTO+ (+5V) | 脉冲控制信号：脉冲上升沿有效；PUL-高电平时 4~5V，低电平时 0~0.5V。为了可靠响应脉冲信号，脉冲宽度应大于 2.5 如采用+12V 或+24V 时需串电阻。 Pulse control signal: pulse rising edge is valid; PUL-high level is 4~5V, low level is 0~0.5V. In order to respond reliably to pulse signals, the pulse width should be greater than 2.5. If +12V or +24V is used, string resistance is required. |
| PUL- | |
| OPTO+ (+5V) | 方向信号：高/低电平信号，为保证电机可靠换向，方向信号应先于脉冲信号至少 5μs 建立。电机的初始运行方向与电机的接线有关，互换任一相绕组（如 A+、A-交换）可以改变电机初始运行的方向，DIR-高电平时 4~5V，低电平时 0~0.5V。 Direction signal: High/low level signal. To ensure reliable commutation of the motor, the direction signal should be established before the pulse signal is at least 5μs. The initial running direction of the motor is related to the wiring of the motor. Interchanging any phase winding (such as A+, A-exchange) can change the direction of the initial running of the motor, DIR-high level 4~5V, low level 0~0.5V. |
| DIR- | |
| OPTO+ (+5V) | 使能信号：此输入信号用于使能或禁止。ENA+ 接+5V，ENA-接低电平（或内部光耦导通）时，驱动器将切断电机各相的电流使电机处于自由状态，此时步进脉冲不被响应。当不需用此功能时，使能信号端悬空即可。 Enable signal: This input signal is used to enable or disable. When ENA+ is connected to +5V and ENA- is connected to low level (or internal optocoupler is on), the driver will cut off the current of each phase of the motor to make the motor free, and the step pulse will not be responded. When this function is not needed, the enable signal is left floating. |
| ENA- (ENA) | |
| TXD | RS232 transmit |
| RXD | RS232 receive |

■ 开关设定 (Switch setting)



动态电流设定 (Dynamic current setting)

| 输出峰值电流 Peak Current | 输出有效值电流 RMS Current | SW1 | SW2 | SW3 |
|---------------------|---------------------|-----|-----|-----|
| Default | 0.5A 【PK】 | ON | ON | ON |
| 0.7A | 0.5A | OFF | ON | ON |
| 1.0A | 0.7A | ON | OFF | ON |
| 1.2A | 0.85A | OFF | OFF | ON |
| 1.5A | 1.0A | ON | ON | OFF |
| 1.8A | 1.28A | OFF | ON | OFF |
| 2.0A | 1.42A | ON | OFF | OFF |
| 2.2A | 1.58A | OFF | OFF | OFF |

细分设定 (Microstep Resolution Selection)

| 步数/转 Steps/rev. | SW4 | SW5 | SW6 |
|-----------------|-----|-----|-----|
| Default (400) | ON | ON | ON |
| 800 | OFF | ON | ON |
| 1600 | ON | OFF | ON |
| 3200 | OFF | OFF | ON |
| 4000 | ON | ON | OFF |
| 5000 | OFF | ON | OFF |
| 6400 | ON | OFF | OFF |
| 12800 | OFF | OFF | OFF |

该款电机可以根据客户需求定制。

The motor can be designed & manufactured with customized request.

1.8° 57mm

内置驱动型混合式步进电机 Hybrid Stepper Motor With built-in Driver

特性概要 (General specification)

选件 Options

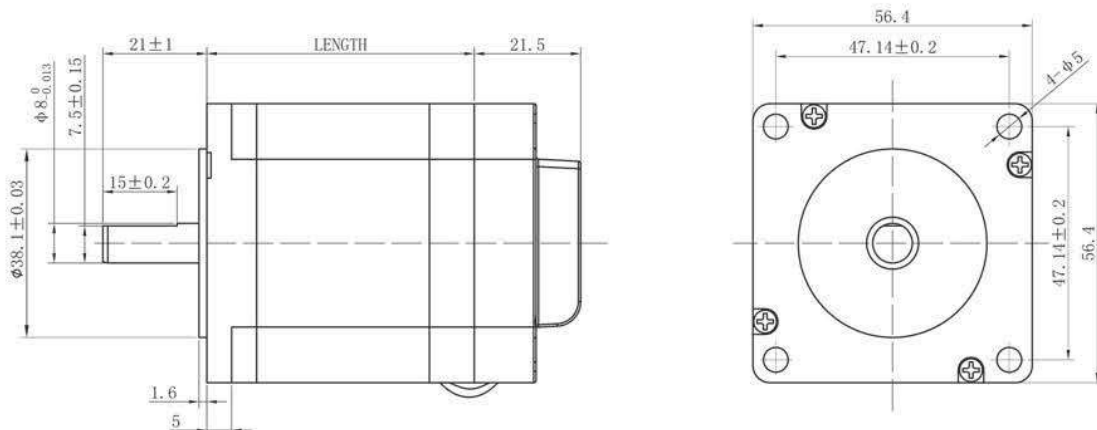


| 项目 (Item) | 说明 (Specifications) |
|--------------------------------|-------------------------------------|
| 步距角 (Step Angle) | 1.8° |
| 步距角精度 (Step Angle Accuracy) | ±5% (整步, 空载) |
| 径向间隙 (Radial Play) | 0.02mm@450 g |
| 轴向间隙 (Axial Play) | 0.08mm@450 g |
| 最大径向负载 (Max. radial force) | 75N 距法兰 20mm (20mm from the flange) |
| 最大轴向负载 (Max. axial force) | 15N |
| 介电强度 (Dielectric Strength) | 600VAC / 1S |
| 绝缘电阻 (Insulation Resistance) | 100MΩ ,500VDC |
| 环境温度 (Ambient Temperature) | -20° C~+50° C |
| 绝缘等级 (Insulation Class) | Class B |

电性能 (Electrical specifications)

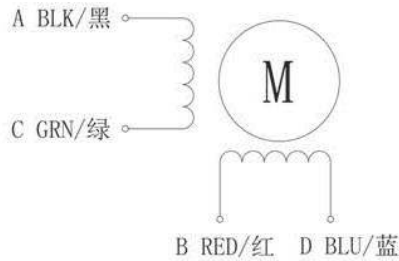
| 型号 (Model No.) | Current /Phase 每相 电流 | Resistance /Phase 每相 电阻 | Inductance /Phase 每相 电感 | Holding Torque 保持 转矩 | Detent Torque 定位 转矩 | # of Leads 引出 线数 | Rotor Inertia 转动 惯量 | Weight 重量 | Length 机身 长度 |
|-------------------------|----------------------------|-------------------------------|-------------------------------|----------------------------|---------------------------|------------------------|---------------------------|--------------|--------------------|
| Single shaft (单出轴) | A | Ω | mH | N.m | N.m | # | g-cm ² | kg | mm |
| IO57-10 | 2.8 | 0.9 | 2.5 | 1.26 | 0.04 | 4 | 300 | 0.9 | 54±1 |
| IO57-22 | 5.6 | 0.4 | 1.8 | 2.2 | 0.07 | 4 | 500 | 1.5 | 80±1 |

机械尺寸 (Dimension)



■ 接线图 (Wiring Diagram)

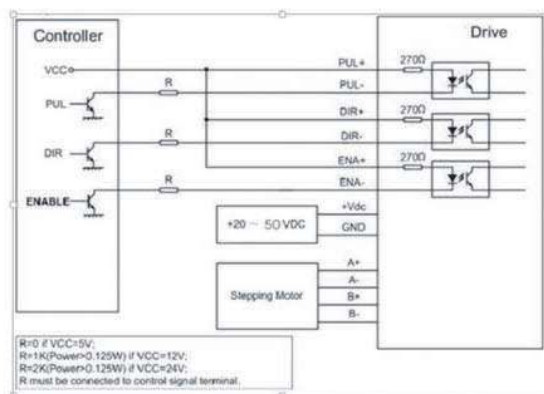
WIRING DIAGRAM/接线图



■ 驱动器电气指标 (Drive electrical indicator)

| 说明 (Specifications) | 最小值(Min.) | 典型值(Typ.) | 最大值(Max.) | 单位(Unit) |
|--|-----------|-----------|-----------|----------|
| 输入电压 (直流) / Input voltage (DC) | 20 | 36 | 50 | Vdc |
| 输出电流 (峰值) / Output current (peak) | 1.5 | - | 5.6 | A |
| 步进脉冲频率/ Step pulse frequency | 0 | - | 200 | KHz |
| 脉冲电压/ Pulse voltage | - | 5 | - | Vdc |
| 控制信号输入电流/ Control signal input current | 7 | 10 | 16 | mA |
| 绝缘电阻/ Insulation resistance | 100 | - | - | MΩ |

■ 系统连接框图 (System connection diagram)



该款电机可以根据客户需求定制。

The motor can be designed & manufactured with customized request.

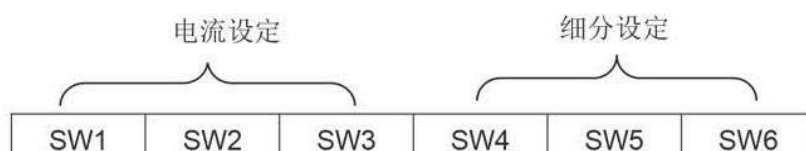
■ 控制信号输入端接口 (Control signal input interface)

| 引脚说明 (Pin description) | 功能 (Function) |
|---------------------------|--|
| +Vdc | 电源电压：0~50 Vdc，包括电压波动和 EMF 电压。 Power supply, 20~50 Vdc, Including voltage fluctuation and EMF voltage. |
| GND | 接地(Power Ground) |
| PUL+ (+5V) | 脉冲控制信号：脉冲上升沿有效；PUL-高电平时 4~5V，低电平时 0~0.5V。为了可靠响应脉冲信号，脉冲宽度应大于 2.5 如采用+12V 或+24V 时需串电阻。 Pulse control signal: pulse rising edge is valid; PUL-high level is 4~5V, low level is 0~0.5V. In order to respond reliably to pulse signals, the pulse width should be greater than 2.5. If +12V or +24V is used, string resistance is required. |
| PUL- (PUL) | |
| DIR+ (+5V) | 方向信号：高/低电平信号，为保证电机可靠换向，方向信号应先于脉冲信号至少 5μs 建立。电机的初始运行方向与电机的接线有关，互换任一相绕组（如 A+、A- 交换）可以改变电机初始运行的方向，DIR-高电平时 4~5V，低电平时 0~0.5V。 Direction signal: High/low level signal. To ensure reliable commutation of the motor, the direction signal should be established before the pulse signal is at least 5μs. The initial running direction of the motor is related to the wiring of the motor. Interchanging any phase winding (such as A+, A-exchange) can change the direction of the initial running of the motor, DIR-high level 4~5V, low level 0~0.5V. |
| DIR- (DIR) | |
| ENA+ (+5V) | 使能信号：此输入信号用于使能或禁止。ENA+ 接+5V，ENA-接低电平（或内部光耦导通）时，驱动器将切断电机各相的电流使电机处于自由状态，此时步进脉冲不被响应。当不需用此功能时，使能信号端悬空即可。 Enable signal: This input signal is used to enable or disable. When ENA+ is connected to +5V and ENA- is connected to low level (or internal optocoupler is on), the driver will cut off the current of each phase of the motor to make the motor free, and the step pulse will not be responded. When this function is not needed, the enable signal is left floating. |
| ENA- (ENA) | |

■ 电机引线接口引脚说明 (Motor lead interface pin description)

| 引脚(Pin) | 功能说明(Function description) |
|---------|----------------------------|
| A+ | 两相步进电机 A+相(Motor Phase A+) |
| A- | 两相步进电机 A-相(Motor Phase A-) |
| B+ | 两相步进电机 B+相(Motor Phase B+) |
| B- | 两相步进电机 B-相(Motor Phase B-) |

■ 开关设定 (Switch setting)



动态电流设定 (Dynamic current setting)

| 输出峰值电流 Peak Current | 输出有效值电流 RMS Current | SW1 | SW2 | SW3 |
|---------------------|---------------------|-----|-----|-----|
| Default 1.5A 【PK】 | | ON | ON | ON |
| 2.1A | 1.5A | OFF | ON | ON |
| 2.7A | 1.9A | ON | OFF | ON |
| 3.2A | 2.3A | OFF | OFF | ON |
| 3.8A | 2.7A | ON | ON | OFF |
| 4.3A | 3.1A | OFF | ON | OFF |
| 4.9A | 3.5A | ON | OFF | OFF |
| 5.6A | 4.0A | OFF | OFF | OFF |

细分设定 (Microstep Resolution Selection)

| 步数/转 (1.8°电机) Steps/rev. (for 1.8°motor) | SW4 | SW5 | SW6 |
|--|-----|-----|-----|
| Default (400) | ON | ON | ON |
| 800 | OFF | ON | ON |
| 1600 | ON | OFF | ON |
| 3200 | OFF | OFF | ON |
| 4000 | ON | ON | OFF |
| 5000 | OFF | ON | OFF |
| 6400 | ON | OFF | OFF |
| 12800 | OFF | OFF | OFF |

该款电机可以根据客户需求定制。

The motor can be designed & manufactured with customized request.



选件 Options



接插件

型号 (VERSIONS)

| 型号(Type) | 推力 Force N | 速度 Speed mm/s | 相电流 Current Per Winding A | 分辨率 Resolution $\mu\text{m}/\text{步}(\text{step})$ | 相电阻 Resistance per Winding Ohm | 相电感 Inductance per Winding mH | 丝杆直径 Thread Diameter mm | 导程 Thread Lead mm | 机身长度 Length "A" mm | 衬套长度 Socket Length "L" mm | 重量 Weight kg |
|-----------------|------------------|---------------------|------------------------------------|--|---|---|----------------------------------|----------------------------|-----------------------------|---------------------------------------|--------------------|
| LA201S06-A-TDBA | 46 | 40 | 0.6 | 5 | 6.4 | 2.6 | 3.5 | 1 | 33 | 8 | 0.054 |
| LA201S06-B-TDBA | 46 | 40 | 0.6 | 5 | 6.4 | 2.6 | 3.5 | 1 | 33 | 8 | 0.054 |

配件 (ACCESSORIES)

ZST3,5-1-200-1 带梯形螺纹的丝杆 (Lead Screw with Trapezoidal Thread)

ZST3,5-1-500 带梯形螺纹的丝杆 (Lead Screw with Trapezoidal Thread)

NANOLUBE-50G 润滑剂 (Lubricant)

警告 (CAUTION)

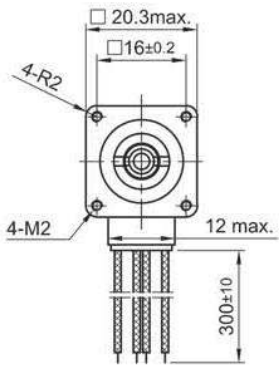
数据表中指定的力和额定功率基10%至 20% 的占空比，必须将其相应降低才能获得更大的值。应避免运行至固定的限位挡块。

The force and power ratings specified in the data sheets are based on a duty cycle of 10% to 20% and must be reduced for higher values. Moving against fixed end stops should be avoided.

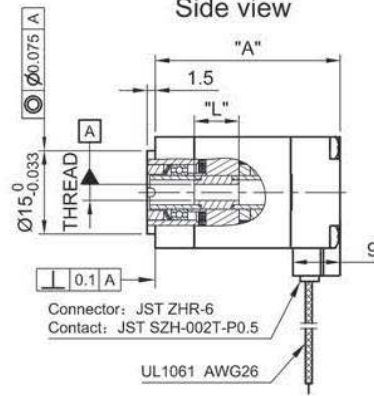
机械尺寸 (VERSIONS)

LA20-A

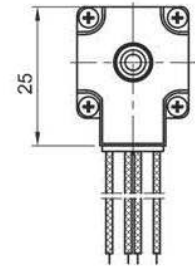
Front view and mounting



Side view

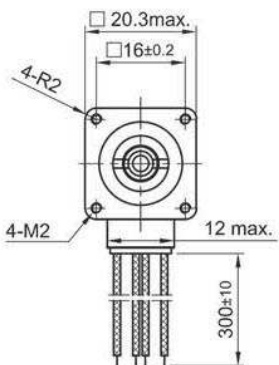


Rear view

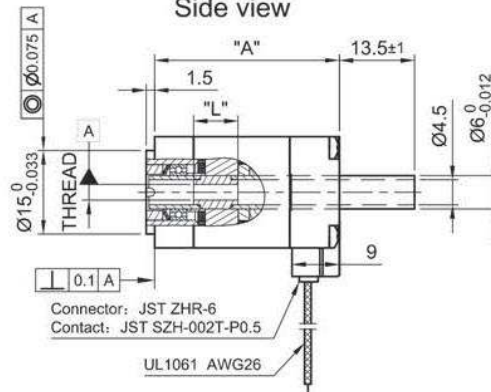


LA20-B

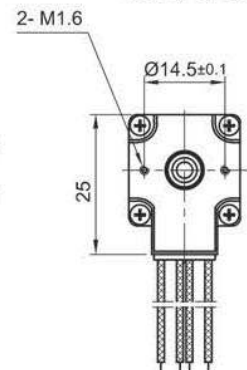
Front view and mounting



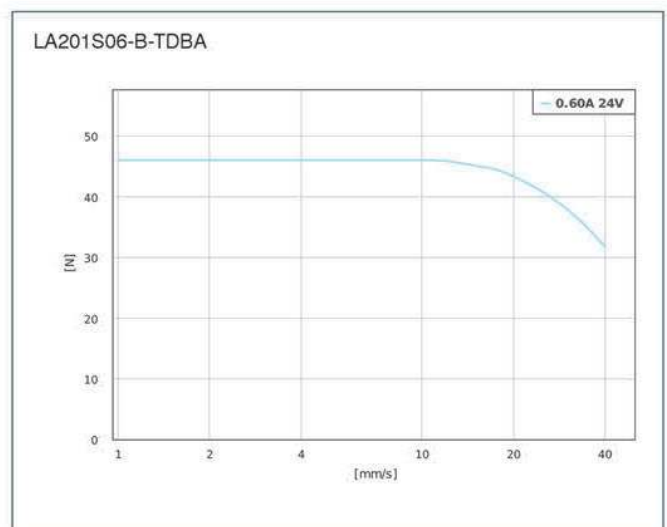
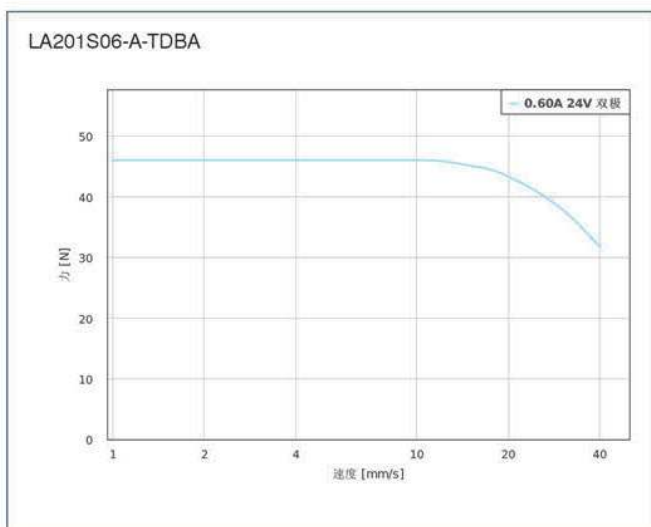
Side view



Rear view



速度推力曲线 (FORCE-VELOCITY CURVES)



该款电机可以根据客户需求定制。

The motor can be designed & manufactured with customized request.

[选件 Options](#)


型号 (VERSIONS)

| 型号(Type) | 推力 Force | 速度 Speed mm/s | 相电流 Current per Winding A | 分辨率 Resolution μm/步(step) | 相电阻 Resistance per Winding Ohm | 相电感 Inductance per Winding mH | 丝杆直径 Thread Diameter mm | 导程 Thread Lead mm | 机身长度 Length "A" mm | 行程长度 Stroke Length "X" mm | 重量 Weight kg |
|----------------------|-------------|---------------------|------------------------------------|---------------------------------|--|--|----------------------------------|----------------------------|-----------------------------|------------------------------------|--------------------|
| LGA201S06-A-TDBA-019 | 46 | 40 | 0.6 | 5 | 6.4 | 2.6 | 3.5 | 1 | 33 | 19.05 | 0.054 |
| LGA201S06-A-TDBA-038 | 46 | 40 | 0.6 | 5 | 6.4 | 2.6 | 3.5 | 1 | 33 | 38.1 | 0.15 |

配件 (ACCESSORIES)

NANOLUBE-50G润滑剂 (Lubricant)

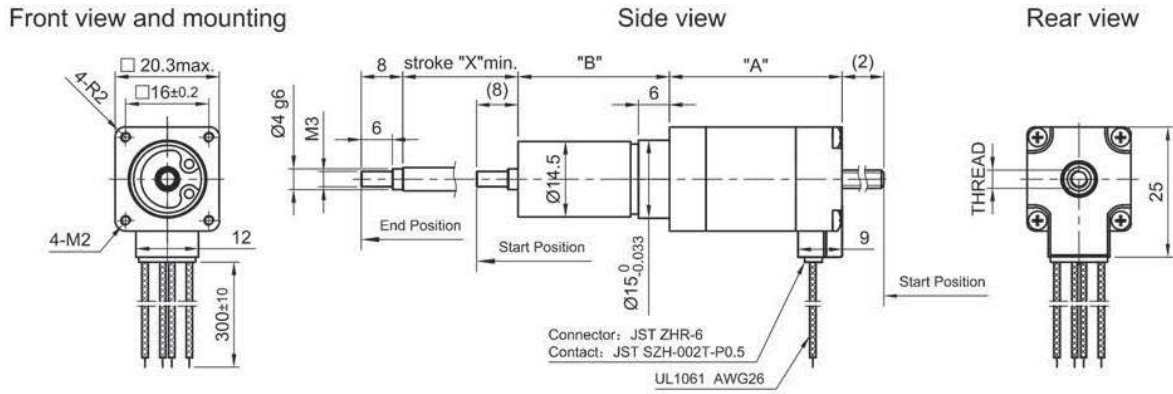
警告 (CAUTION)

数据表中指定的力和额定功率基于 10%至 20% 的占空比，必须将其相应降低才能获得更大的值。应避免运行至固定的限位挡块。

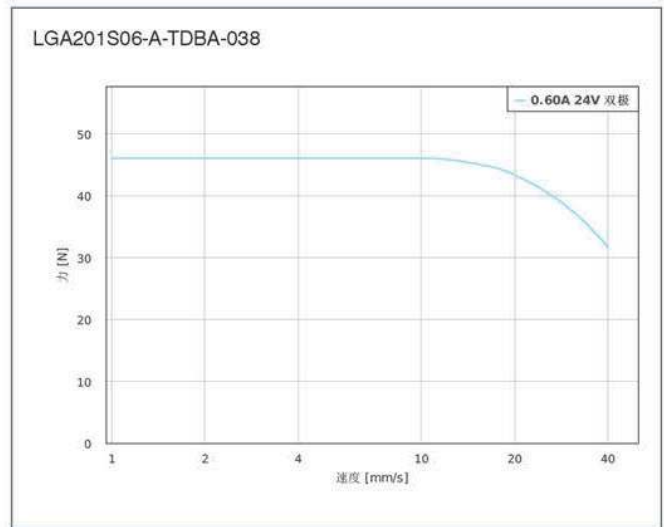
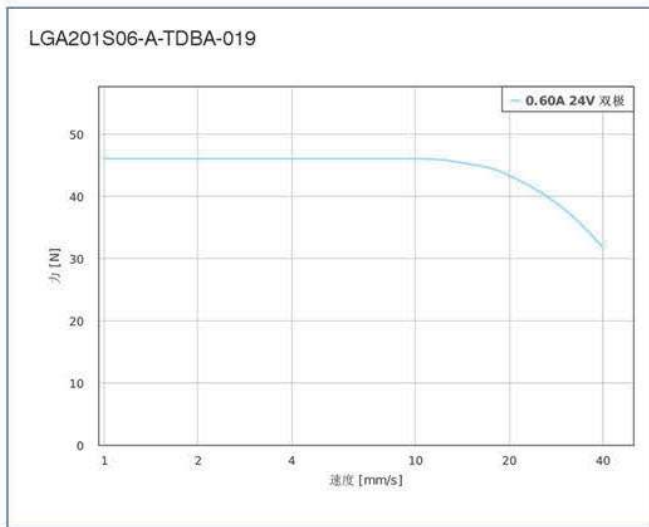
The force and power ratings specified in the data sheets are based on a duty cycle of 10% to 20% and must be reduced for higher values. Moving against fixed end stops should be avoided.

机械尺寸 (VERSIONS)

LGA20-A



速度推力曲线 (FORCE-VELOCITY CURVES)



该款电机可以根据客户需求定制。

The motor can be designed & manufactured with customized request.



选件 Options



接插件

型号 (VERSIONS)

| 型号(Type) | 推力 Force | 速度 Speed mm/s | 相电流 Current per Winding A | 分辨率 Resolution $\mu\text{m}/\text{步}(\text{step})$ | 相电阻 Resistance per winding Ohm | 相电感 Inductance per winding Mh | 丝杆直径 Thread Diameter mm | 导程 Thread Lead mm | 丝杆长度 Screw Length "L" mm | 机身长度 Length "A" mm | 重量 Weight kg |
|-------------------------|-------------|---------------------|------------------------------------|--|---|--|----------------------------------|----------------------------|--------------------------------|-----------------------------|--------------------|
| LSA201S06-A-TDBA-102 46 | 46 | 40 | 0.6 | 5 | 6.4 | 2.6 | 3.5 | 1 | 102 | 33 | 0.054 |
| LSA201S06-B-TDBA-102 46 | 46 | 40 | 0.6 | 5 | 6.4 | 2.6 | 3.5 | 1 | 102 | 33 | 0.054 |

配件 (ACCESSORIES)

LSNUT-AAAA-TDBA 螺纹螺母(Threaded Nut) – POM

LSNUT-ZERO3,5X1

预装螺纹螺母(Loaded Threaded Nut) -PEEK

NANOLUBE-50G 润滑剂(Lubricant)

警告 (CAUTION)

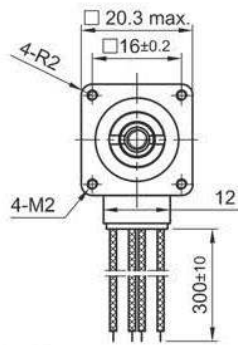
数据表中指定的力和额定功率基于 10%至 20% 的占空比，必须将其相应降低才能获得更大的值。应避免运行至固定的限位挡块。

The force and power ratings specified in the data sheets are based on a duty cycle of 10% to 20% and must be reduced for higher values. Moving against fixed end stops should be avoided.

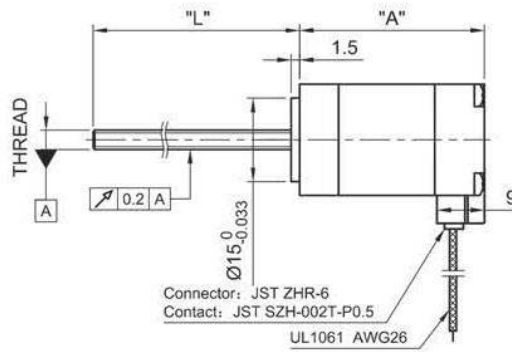
机械尺寸 (VERSIONS)

LSA20-A

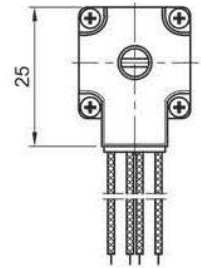
Front view and mounting



Side view

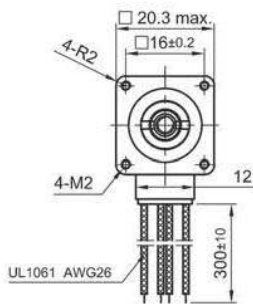


Rear view

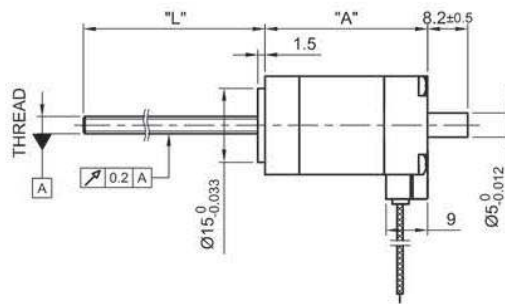


LSA20-B

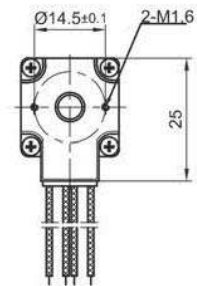
Front view and mounting



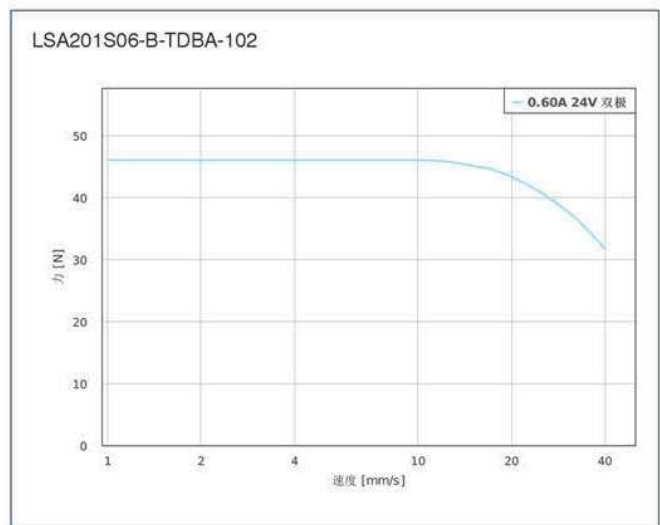
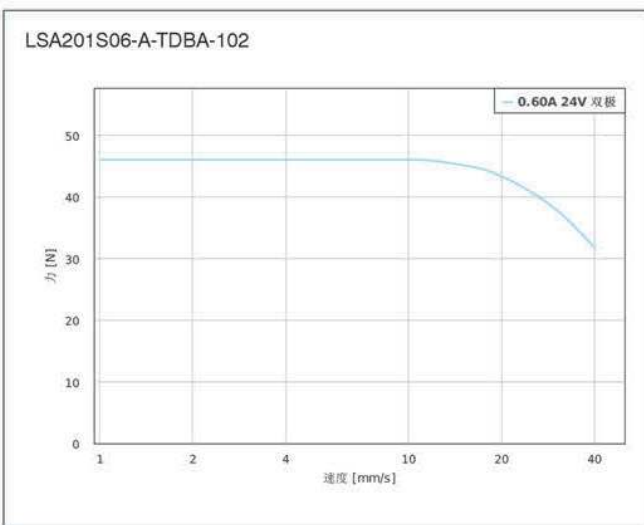
Side view



Rear view



速度推力曲线 (FORCE-VELOCITY CURVES)



该款电机可以根据客户需求定制。

The motor can be designed & manufactured with customized request.

选件 Options



接插件



型号 (VERSIONS)

| 型号 | 推力 | 速度 | 相电流 | 分辨率 | 相电阻 | 相电感 | 丝杆直径 | 导程 | 机身长度 "A" | 衬套长度 "L" | 重量 |
|-----------------|------------|-------|-----------------------------|-----------------------|----------------------------------|---------------------------------|--------------------------|-------------------|------------------|----------------------------|--------|
| Type | Force N | Speed | Current per Winding A | Resolution µm/step | Resistance per Winding Ohm | Inductance per Winding mH | Thread Diameter mm | Thread Lead mm | Length "A" mm | Socket Length "L" mm | Weight |
| LA281S10-A-THCA | 93.4 | 35 | 1 | 10 | 2.7 | 2.5 | 5 | 2 | 33 | 15 | 0.11 |
| LA281S10-B-THCA | 93.4 | 35 | 1 | 10 | 2.7 | 2.5 | 5 | 2 | 33 | 15 | 0.11 |
| LA281S10-A-UGFC | 50 | 120 | 1 | 25.4 | 2.7 | 2.5 | 4.76 | 5.08 | 33 | 15 | 0.11 |
| LA281S10-B-UGFC | 50 | 120 | 1 | 25.4 | 2.7 | 2.5 | 4.76 | 5.08 | 33 | 15 | 0.11 |
| LA281S10-A-UGAQ | 210 | 19 | 1 | 3.175 | 2.7 | 2.5 | 4.76 | 0.635 | 33 | 15 | 0.11 |
| LA281S10-B-UGAQ | 210 | 19 | 1 | 3.175 | 2.7 | 2.5 | 4.76 | 0.635 | 33 | 15 | 0.11 |
| LA281M06-A-THCA | 152.1 | 35 | 0.6 | 10 | 7.3 | 6.52 | 5 | 2 | 41 | 15 | 0.14 |
| LA281M06-B-THCA | 152.1 | 35 | 0.6 | 10 | 7.3 | 6.52 | 5 | 2 | 41 | 15 | 0.14 |
| LA281M15-A-THCA | 152.1 | 35 | 1.5 | 10 | 1.45 | 1.25 | 5 | 2 | 41 | 15 | 0.14 |
| LA281M15-B-THCA | 152.1 | 35 | 1.5 | 10 | 1.45 | 1.25 | 5 | 2 | 41 | 15 | 0.14 |

配件 (ACCESSORIES)

SCREW-ABA-UGAQ-200
带 ACME 螺纹的丝杆
SCREW-ABA-UGAQ-300
带 ACME 螺纹的丝杆
SCREW-AAA-UGAQ-1000
带 ACME 螺纹的丝杆
SCREW-ABA-UGFC-200
带 ACME 螺纹的丝杆
SCREW-ABA-UGFC-300
带 ACME 螺纹的丝杆
SCREW-AAA-UGFC-1000
带 ACME 螺纹的丝杆

NANOLUBE-50G 润滑剂
SCREW-ABA-UGAQ-200
Lead Screw with ACME Thread
SCREW-ABA-UGAQ-300
Lead Screw with ACME Thread
SCREW-AAA-UGAQ-1000
Lead Screw with ACME Thread
SCREW-ABA-UGFC-200
Lead Screw with ACME Thread
SCREW-ABA-UGFC-300
Lead Screw with ACME Thread
SCREW-AAA-UGFC-1000
Lead Screw with ACME Thread
NANOLUBE-50G Lubricant

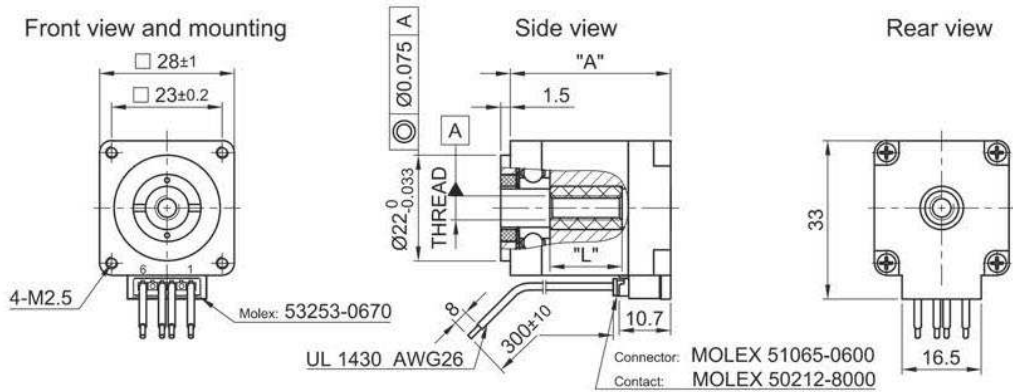
警告 (CAUTION)

数据表中指定的力和额定功率基 10% 至 20% 的占空比, 必须将其相应降低才能获得更大的值。应避免运行至固定的限位挡块。

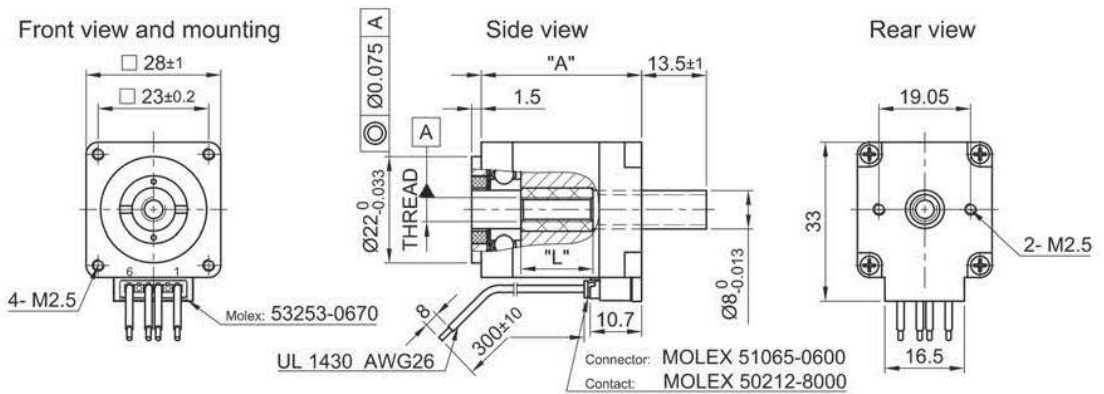
The force and power ratings specified in the data sheets are based on a duty cycle of 10% to 20% and must be reduced for higher values. Moving against fixed end stops should be avoided.

机械尺寸 (VERSIONS)

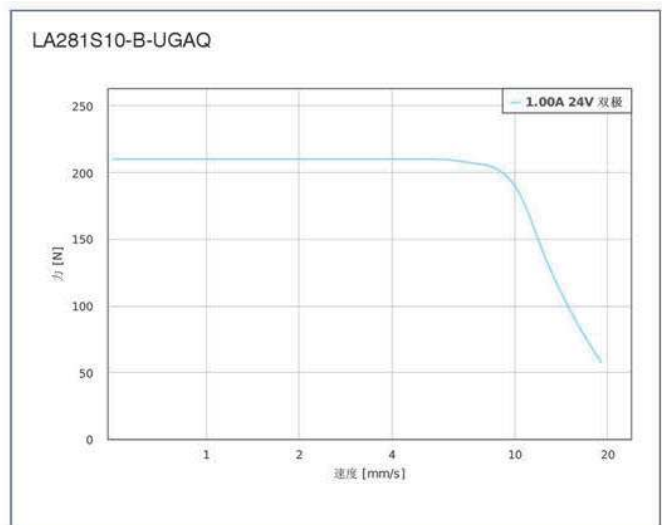
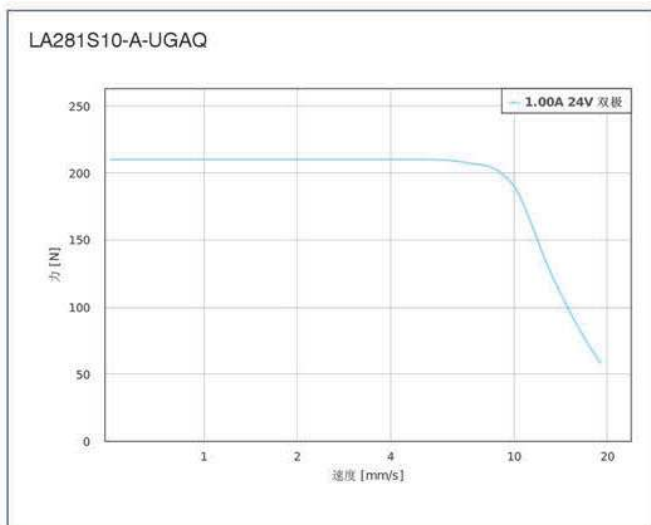
LA281-A



LA281-B



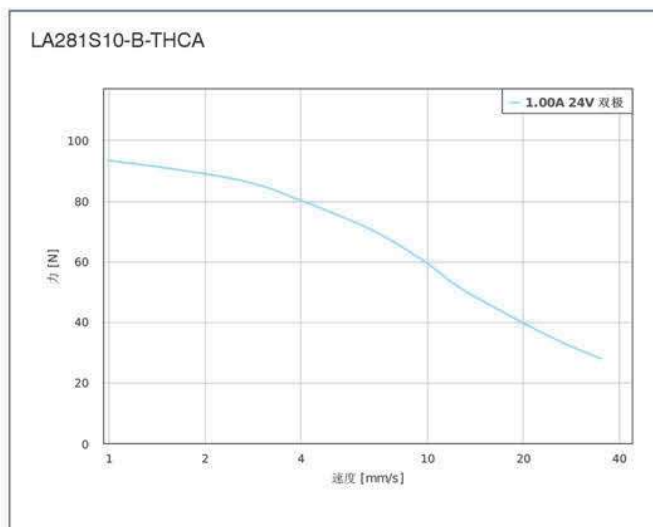
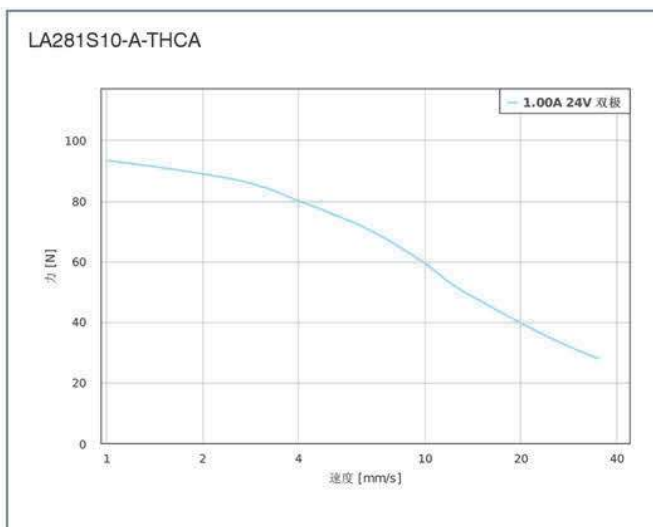
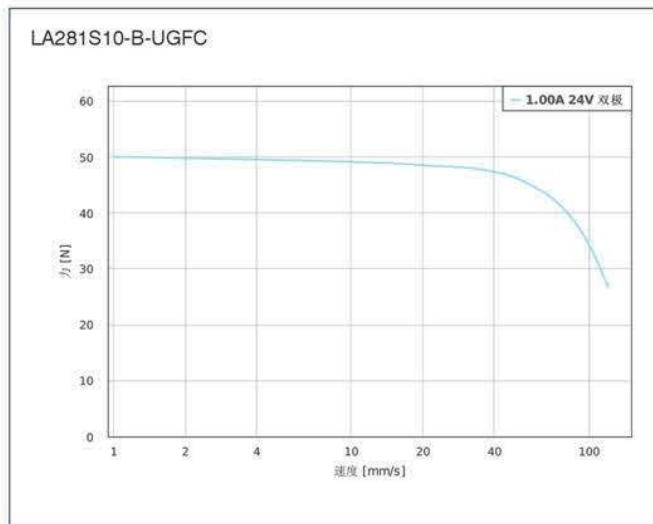
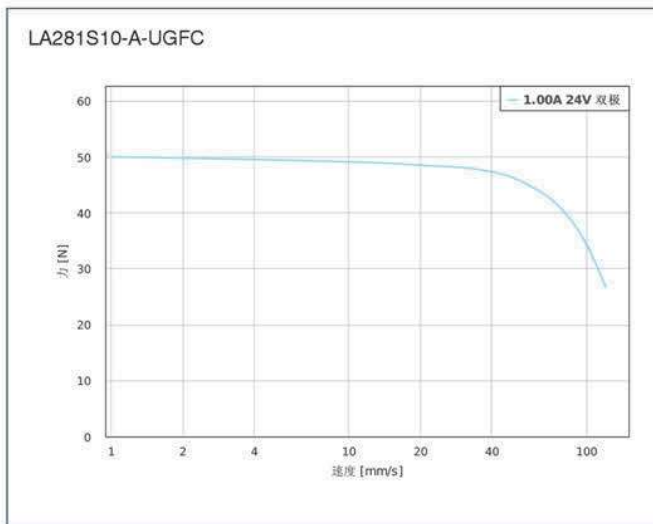
速度推力曲线 (FORCE-VELOCITY CURVES)

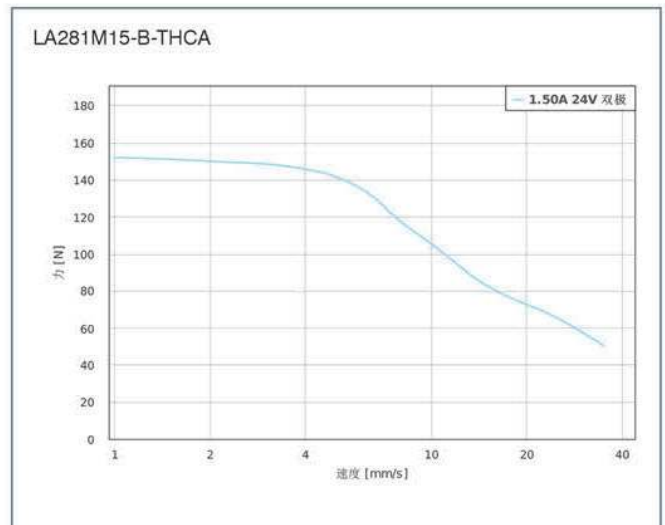
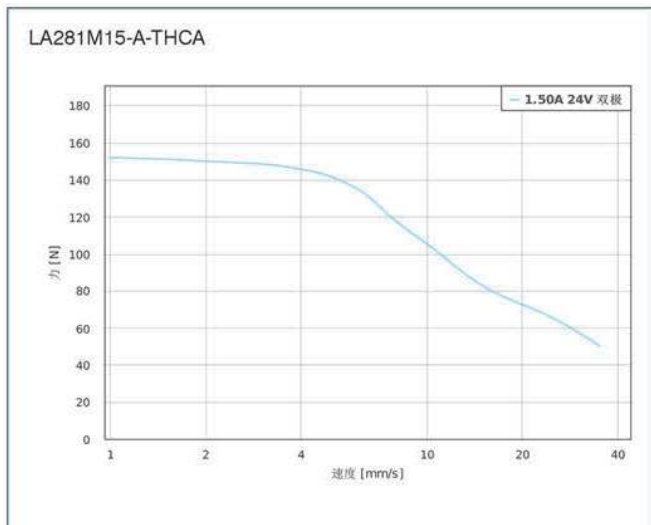
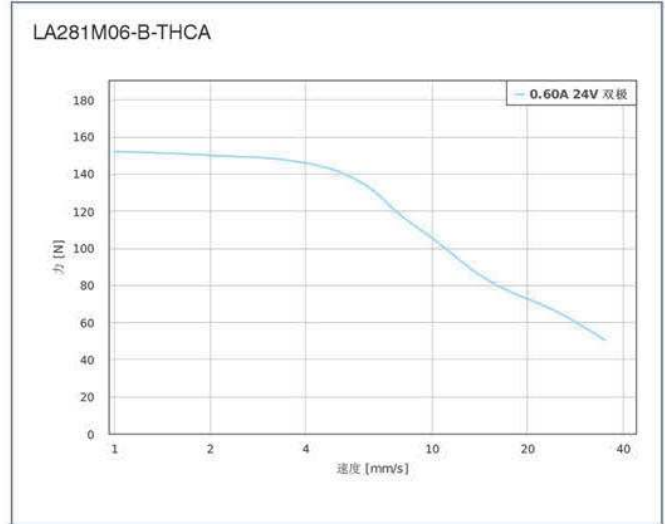
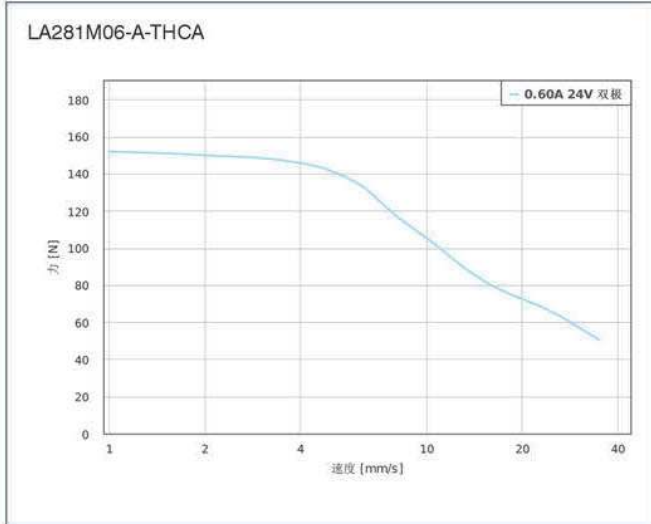


该款电机可以根据客户需求定制。

The motor can be designed & manufactured with customized request.

速度推力曲线 (FORCE-VELOCITY CURVES)





该款电机可以根据客户需求定制。

The motor can be designed & manufactured with customized request.

选件 Options



型号 (VERSIONS)

| 型号 | 推力 | 速度 | 相电流 | 分辨率 | 相电阻 | 相电感 | 丝杆直径 | 导程 | 机身长度 "A" | 行程长度 "X" | 重量 |
|----------------------|------------|---------------|--------------------------------|-----------------------|----------------------------------|---------------------------------|--------------------------|----------------------|---------------------|---------------------------|--------------|
| Type | Force N | Speed mm/s | Current per Winding A | Resolution μm/step | Resistance per Winding Ohm | Inductance per Winding mH | Thread Diameter mm | Thread Lead mm | Length "A" mm | Stroke Length"X" mm | Weight Kg |
| LGA281S10-A-UGAQ-019 | 210 | 19 | 1 | 3.175 | 2.7 | 2.5 | 4.76 | 0.635 | 33 | 19.05 | 0.14 |
| LGA281S10-B-UGAQ-019 | 210 | 19 | 1 | 3.175 | 2.7 | 2.5 | 4.76 | 0.635 | 33 | 19.05 | 0.14 |
| LGA281S10-A-UGAQ-038 | 210 | 19 | 1 | 3.175 | 2.7 | 2.5 | 4.76 | 0.635 | 33 | 38.1 | 0.15 |
| LGA281S10-B-UGAQ-038 | 210 | 19 | 1 | 3.175 | 2.7 | 2.5 | 4.76 | 0.635 | 33 | 38.1 | 0.15 |
| LGA281S10-A-UGFC-019 | 50 | 120 | 1 | 25.4 | 2.7 | 2.5 | 4.76 | 5.08 | 33 | 19.05 | 0.14 |
| LGA281S10-B-UGFC-019 | 50 | 120 | 1 | 25.4 | 2.7 | 2.5 | 4.76 | 5.08 | 33 | 19.05 | 0.15 |
| LGA281S10-A-UGFC-038 | 50 | 120 | 1 | 25.4 | 2.7 | 2.5 | 4.76 | 5.08 | 33 | 38.1 | 0.14 |
| LGA281S10-B-UGAQ-038 | 50 | 120 | 1 | 25.4 | 2.7 | 2.5 | 4.76 | 5.08 | 33 | 38.1 | 0.15 |
| LGA281S10-A-THCA-019 | 93.4 | 35 | 1 | 10 | 2.7 | 2.5 | 5 | 2 | 33 | 19.05 | 0.14 |
| LGA281S10-B-THCA-019 | 93.4 | 35 | 1 | 10 | 2.7 | 2.5 | 5 | 2 | 33 | 19.5 | 0.14 |
| LGA281S10-A-THCA-038 | 93.4 | 35 | 1 | 10 | 2.7 | 2.5 | 5 | 2 | 33 | 38.1 | 0.14 |
| LGA281S10-B-THCA-038 | 93.4 | 35 | 1 | 10 | 2.7 | 2.5 | 5 | 2 | 33 | 38.1 | 0.14 |

配件 (ACCESSORIES)

NANOLUBE-50G 润滑剂
NANOLUBE-50G Lubricant

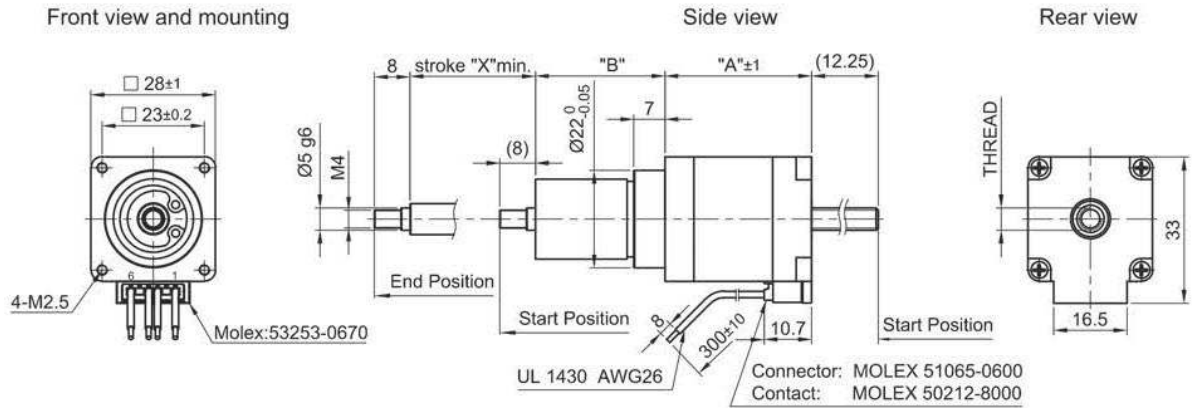
警告 (CAUTION)

数据表中指定的力和额定功率基于 10%至 20% 的占空比，必须将其相应降低才能获得更大的值。应避免运行至固定的限位挡块。

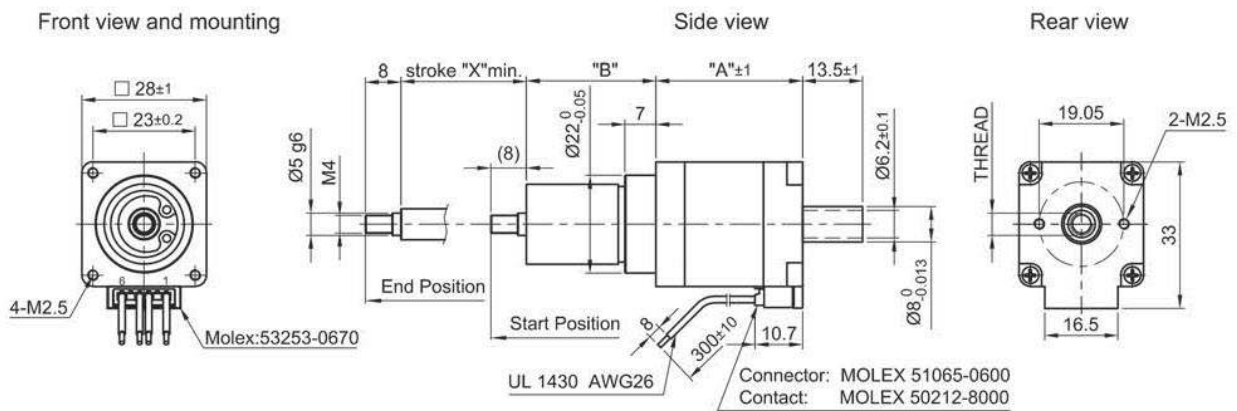
The force and power ratings specified in the data sheets are based on a duty cycle of 10% to 20% and must be reduced for higher values. Moving against fixed end stops should be avoided.

机械尺寸 (VERSIONS)

LGA28-A



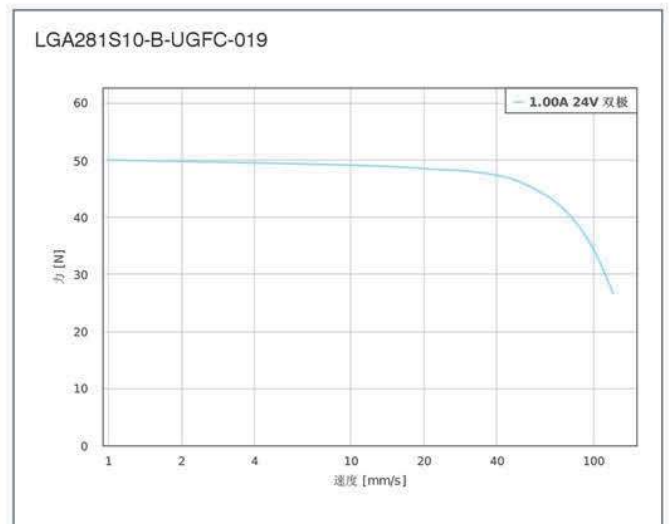
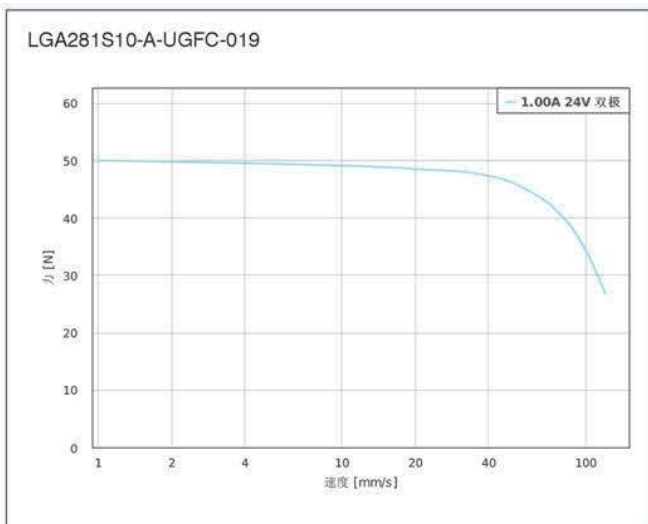
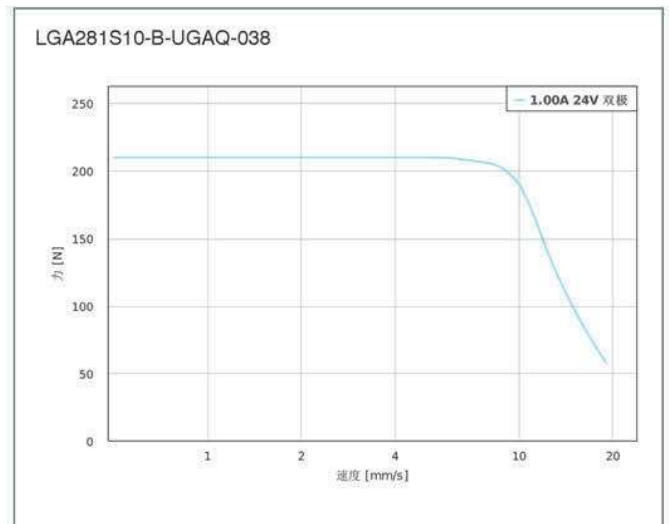
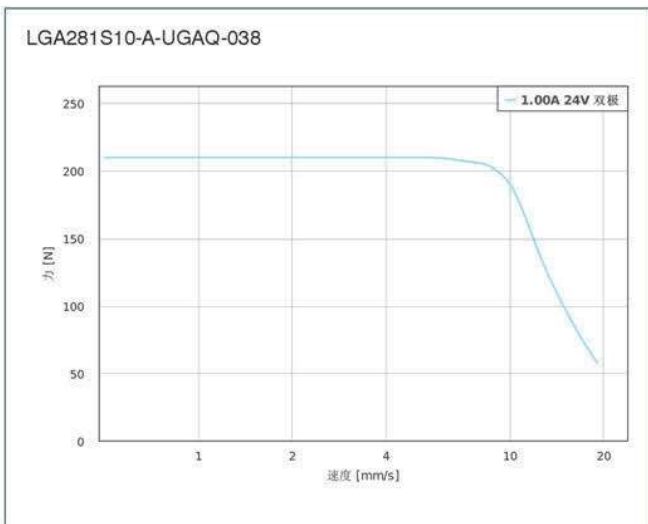
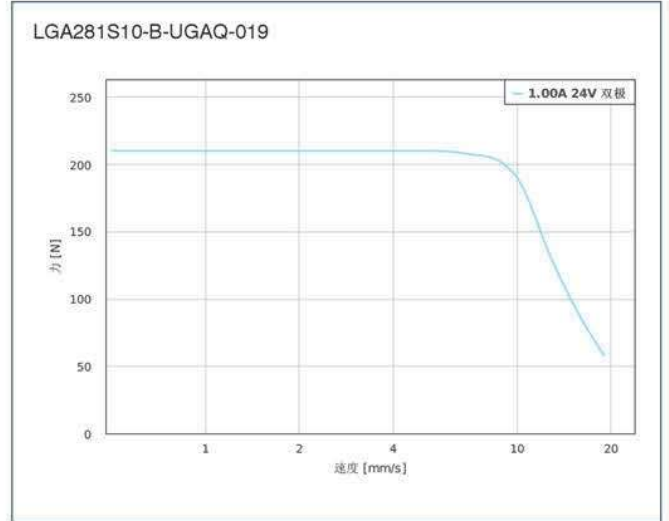
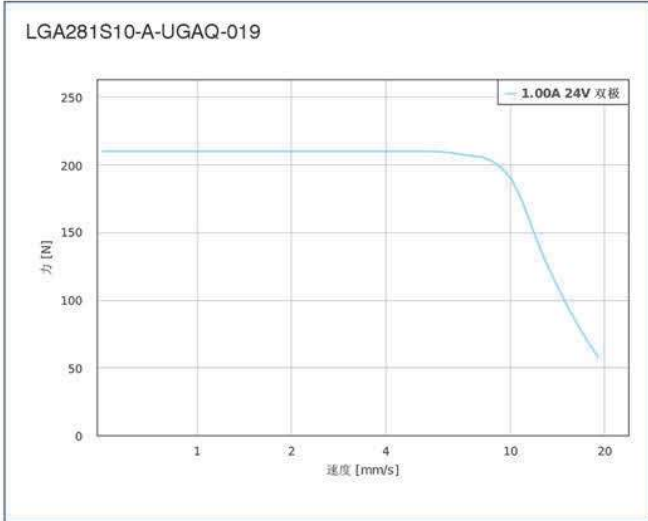
LGA28-B

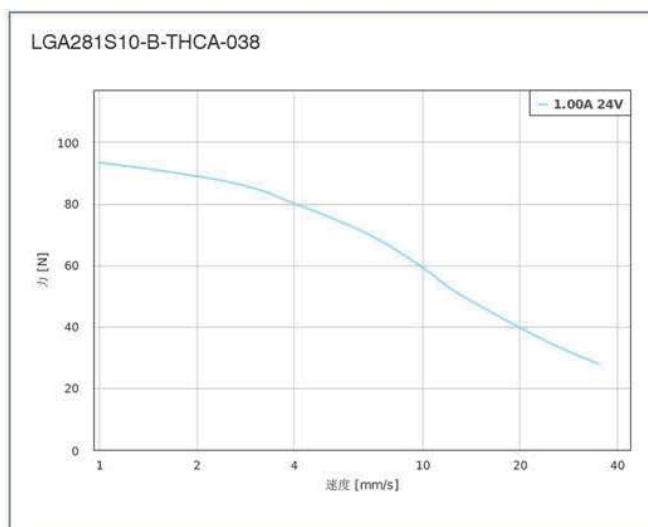
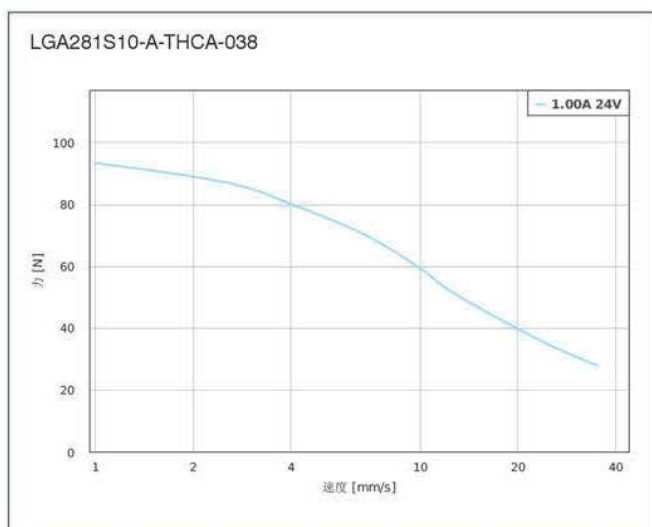
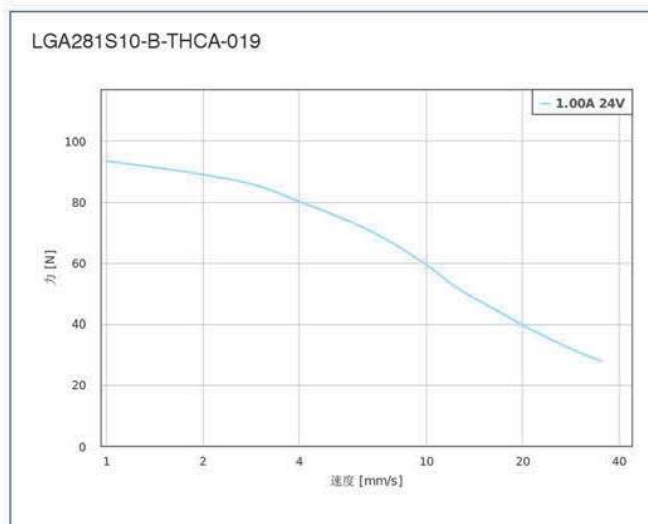
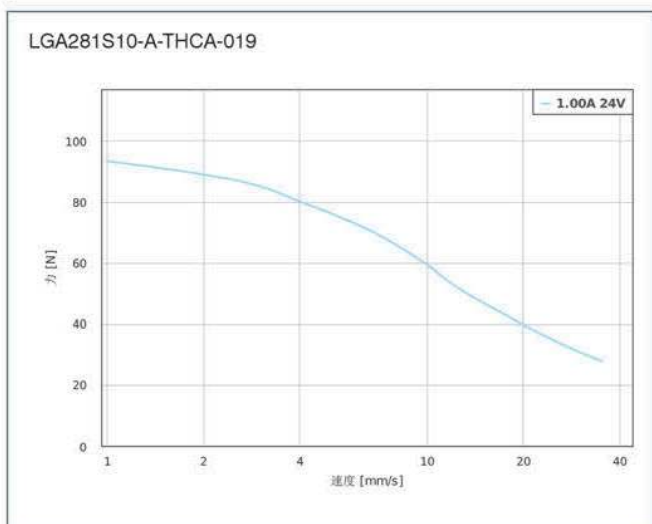
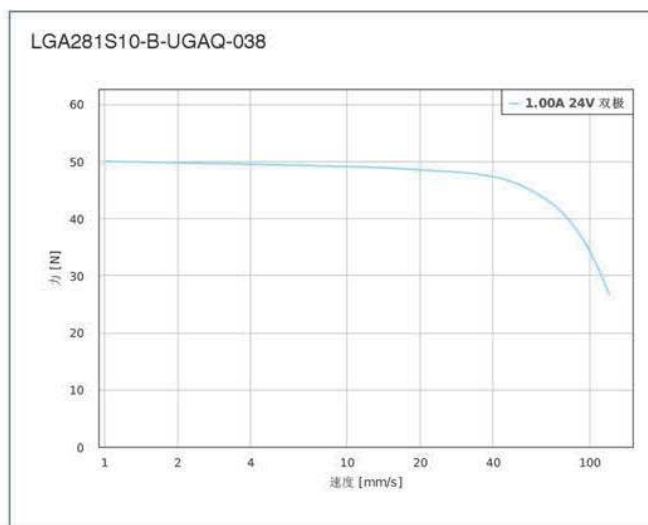
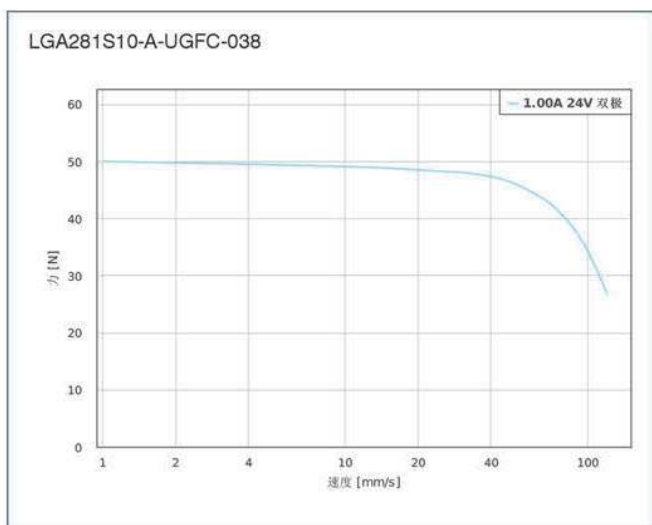


该款电机可以根据客户需求定制。

The motor can be designed & manufactured with customized request.

速度推力曲线 (FORCE-VELOCITY CURVES)





该款电机可以根据客户需求定制。

The motor can be designed & manufactured with customized request.



选项 Options



型号 (VERSIONS)

| 型号 | 推力 | 速度 | 相电流 | 分辨率 | 相电阻 | 相电感 | 丝杆直径 | 导程 | 机身长度 | 丝杆长度 | 重量 |
|----------------------|------------|---------------|-----------------------------|---|----------------------------------|---------------------------------|--------------------------|----------------------|---------------------|---------------------------|--------------|
| Type | Force N | Speed mm/s | Current per Winding A | Resolution $\mu\text{m}/\text{step}$ | Resistance per Winding Ohm | Inductance per Winding mH | Thread Diameter mm | Thread Lead mm | Length "A" mm | Screw Length "L" mm | Weight kg |
| LSA281S10-A-UGAQ-152 | 210 | 19 | 1 | 3.175 | 2.7 | 2.5 | 4.76 | 0.635 | 33 | 152 | 0.13 |
| LSA281S10-B-UGAQ-152 | 210 | 19 | 1 | 3.175 | 2.7 | 2.5 | 4.76 | 0.635 | 33 | 152 | 0.13 |
| LSA281S10-A-UGFC-152 | 50 | 120 | 1 | 25.4 | 2.7 | 2.5 | 4.76 | 5.08 | 33 | 152 | 0.13 |
| LSA281S10-B-UGFC-152 | 50 | 120 | 1 | 25.4 | 2.7 | 2.5 | 4.76 | 5.08 | 33 | 152 | 0.13 |
| LSA281S10-A-THCA-152 | 93.4 | 35 | 1 | 10 | 2.7 | 2.5 | 5 | 2 | 33 | 152 | 0.13 |
| LSA281S10-B-THCA-152 | 93.4 | 35 | 1 | 10 | 2.7 | 2.5 | 5 | 2 | 33 | 152 | 0.13 |

配件 (ACCESSORIES)

LSNUT-AAAA-UGAQ 螺纹螺母 – POM
 LSNUT-AAAA-UGFC 螺纹螺 – POM
 LSNUT-AAAA-THCA 螺纹螺 – POM
 NANOLUBE-50G 润滑剂

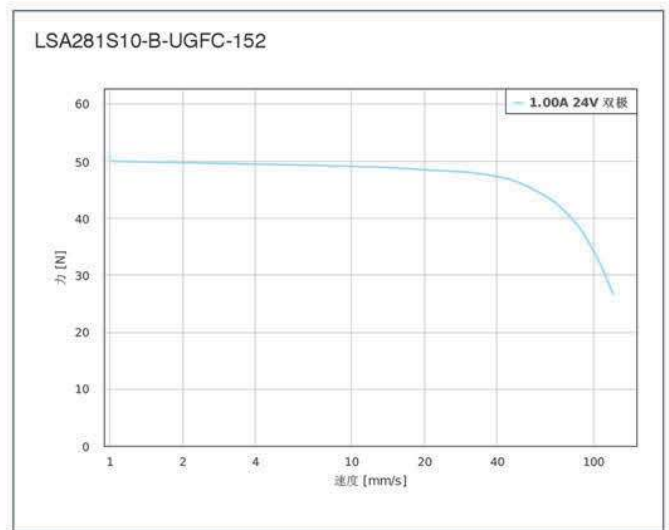
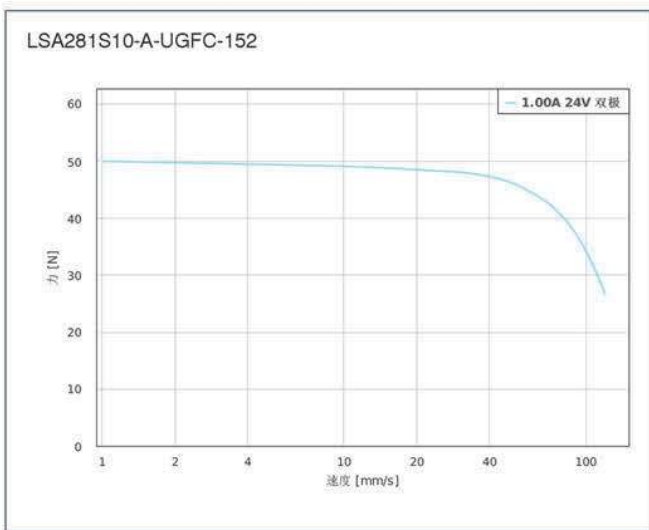
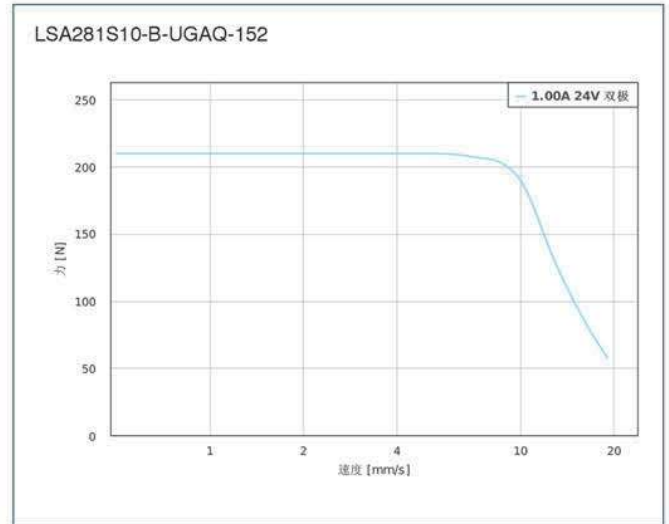
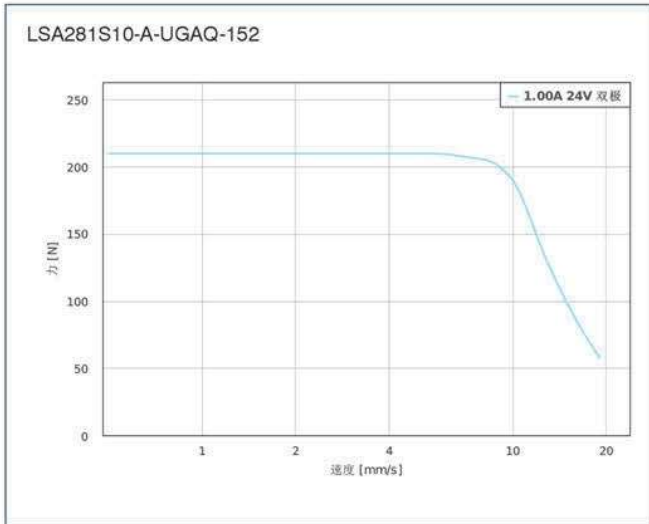
LSNUT-AAAA-UGAQ Threaded Nut – POM
 LSNUT-AAAA-UGFC Threaded Nut – POM
 LSNUT-AAAA-THCA Threaded Nut – POM
 NANOLUBE-50G Lubricant

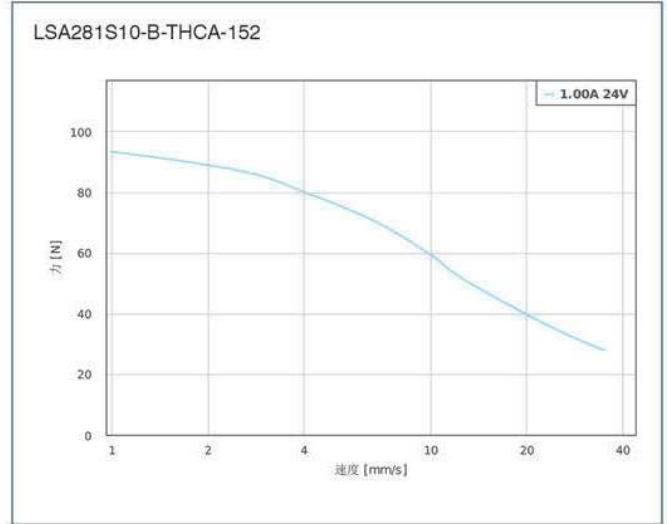
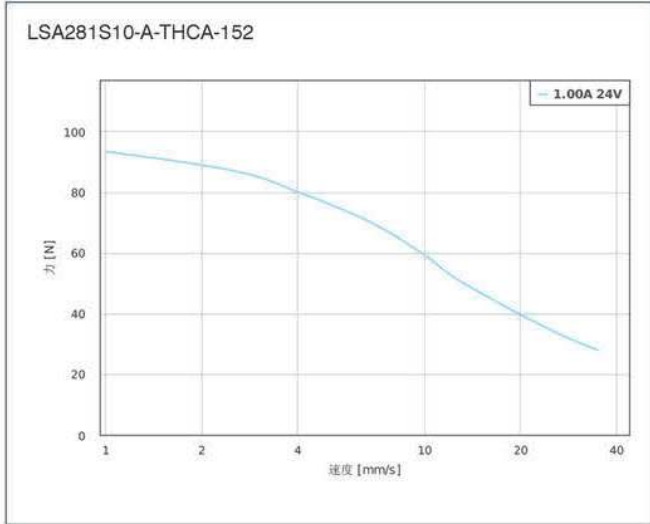
警告 (CAUTION)

数据表中指定的力和额定功率基于 10%至 20% 的占空比，必须将其相应降低才能获得更大的值。应避免运行至固定的限位挡块。

The force and power ratings specified in the data sheets are based on a duty cycle of 10% to 20% and must be reduced for higher values. Moving against fixed end stops should be avoided.

速度推力曲线 (FORCE-VELOCITY CURVES)





该款电机可以根据客户需求定制。

The motor can be designed & manufactured with customized request.



选件 Options



接插件

型号 (VERSIONS)

| 型号 (TYPE) | 推力 | 速度 | 相电流 | 分辨率 | 相电阻 | 相电感 | 丝杆直径 | 导程 | 机身长度 "A" | 重量 |
|-----------------|------------|---------------|--------------------------------|--------------------|----------------------------------|------------------------------------|--------------------------|----------------------|--------------|--------------|
| | Force N | Speed mm/s | Current per Winding A | Resolution μm/步 | Resistance per Winding Ohm | Inductance per Winding Mh | Thread Diameter mm | Thread Lead mm | Length mm | Weight kg |
| LA351S12-A-TJBA | 220 | 24 | 1.2 | 5 | 1.85 | 2 | 6 | 1 | 33.6 | 0.15 |
| LA351S12-B-TJBA | 220 | 24 | 1.2 | 5 | 1.85 | 2 | 6 | 1 | 33.6 | 0.15 |
| LA351S12-A-TJCA | 150 | 50 | 1.2 | 10 | 1.85 | 2 | 6 | 2 | 33.6 | 0.15 |
| LA351S12-B-TJCA | 150 | 50 | 1.2 | 10 | 1.85 | 2 | 6 | 2 | 33.6 | 0.15 |
| LA351S12-A-UKGI | 70 | 100 | 1.2 | 31.75 | 1.85 | 2 | 6.35 | 6.35 | 33.6 | 0.15 |
| LA351S12-B-UKGI | 70 | 100 | 1.2 | 31.75 | 1.85 | 2 | 6.35 | 6.35 | 33.6 | 0.15 |
| LA351M12-A-TJBA | 350 | 30 | 1.2 | 5 | 3.2 | 3.4 | 6 | 1 | 43.6 | 0.22 |
| LA351M12-B-TJBA | 350 | 30 | 1.2 | 5 | 3.2 | 3.4 | 6 | 1 | 43.6 | 0.22 |
| LA351M12-A-UKGI | 120 | 110 | 1.2 | 31.75 | 3.2 | 3.4 | 6.35 | 6.35 | 43.6 | 0.22 |
| LA351M12-B-UKGI | 120 | 110 | 1.2 | 31.75 | 3.2 | 3.4 | 6.35 | 6.35 | 43.6 | 0.22 |

配件 (ACCESSORIES)

SCREW-ABA-TJCA-200
带梯形螺纹的丝杆
Lead Screw with Trapezoidal Thread

SCREW-ABA-TJCA-300
带梯形螺纹的丝杆
Lead Screw with Trapezoidal Thread

SCREW-AAA-TJCA-1000
带梯形螺纹的丝杆
Lead Screw with Trapezoidal Thread

SCREW-ABA-UKGI-200
ACME 螺纹的丝杆
Lead Screw with ACME Thread

SCREW-ABA-UKGI-300
带 ACME 螺纹的丝杆
Lead Screw with ACME Thread

SCREW-AAA-UKGI-1000
带 ACME 螺纹的丝杆
Lead Screw with ACME Thread

ZK-JST-EHR-6-0.5M-S
电机线缆 0.5米
Motor Cable 0.5 m

NANOLUBE-50G 润滑剂
Lubricant

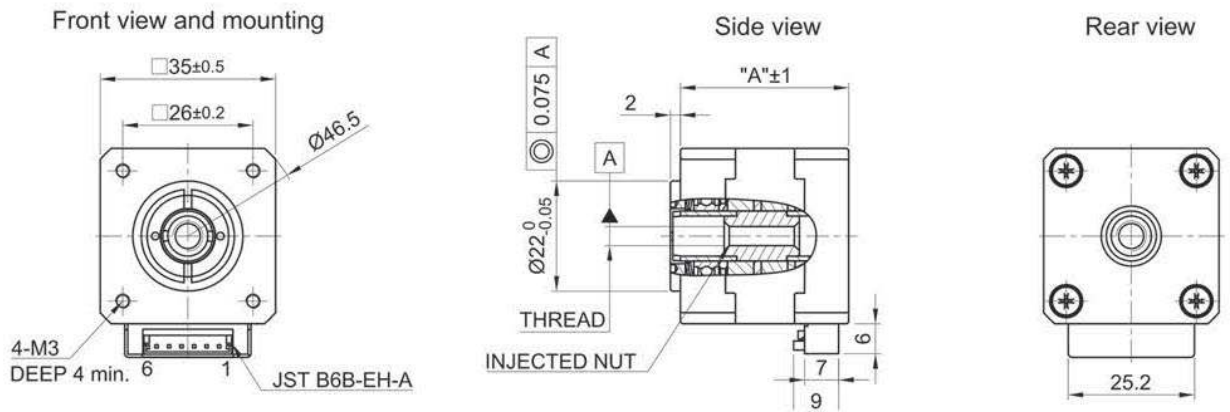
警告 (CAUTION)

数据表中指定的力和额定功率基 10% 至 20% 的占空比, 必须将其相应降低才能获得更大的值。应避免运行至固定的限位挡块。

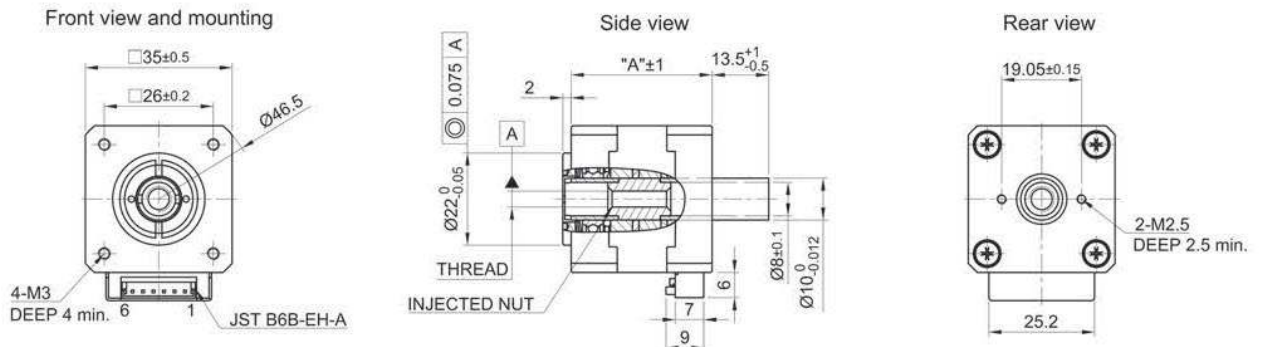
The force and power ratings specified in the data sheets are based on a duty cycle of 10% to 20% and must be reduced for higher values. Moving against fixed end stops should be avoided.

机械尺寸 (VERSIONS)

LA351-A



LA351-B



该款电机可以根据客户需求定制。

The motor can be designed & manufactured with customized request.

选件 Options



型号 (VERSIONS)

| 型号 (TYPE) | 推力 | 速度 | 相电流 | 分辨率 | 相电阻 | 相电感 | 丝杆直径 | 导程 | 机身长度 "A" | 行程长度 "X" | 重量 |
|----------------------|------------|---------------|-----------------------------|--------------------|----------------------------------|---------------------------------|--------------------------|----------------------|--------------|------------------------|------------------|
| | Force N | Speed mm/s | Current per Winding A | Resolution μm/步 | Resistance per Winding Ohm | Inductance per Winding mH | Thread Diameter mm | Thread Lead mm | Length mm | Stroke Length mm | Wei ght kg |
| LGA351S12-A-UKGI-019 | 70 | 100 | 1.2 | 31.75 | 1.85 | 2 | 6.35 | 6.35 | 33.6 | 19.05 | 0.2 |
| LGA351S12-B-UKGI-019 | 70 | 100 | 1.2 | 31.75 | 1.85 | 2 | 6.35 | 6.35 | 33.6 | 19.05 | 0.2 |
| LGA351S12-A-UKGI-038 | 70 | 100 | 1.2 | 31.75 | 1.85 | 2 | 6.35 | 6.35 | 33.6 | 38.1 | 0.2 |
| LGA351S12-B-UKGI-038 | 70 | 100 | 1.2 | 31.75 | 1.85 | 2 | 6.35 | 6.35 | 33.6 | 38.1 | 0.2 |
| LGA351M12-B-UKGI-025 | 120 | 110 | 1.2 | 31.75 | 3.2 | 3.4 | 6.35 | 6.35 | 43.6 | 25.4 | 0.27 |
| LGA351M12-B-UKGI-063 | 120 | 110 | 1.2 | 31.75 | 3.2 | 3.4 | 6.35 | 6.35 | 43.6 | 63.5 | 0.27 |

配件 (ACCESSORIES)

ZK-JST-EHR-6-0.5M-S 电机线缆 0.5米
Motor Cable 0.5 m

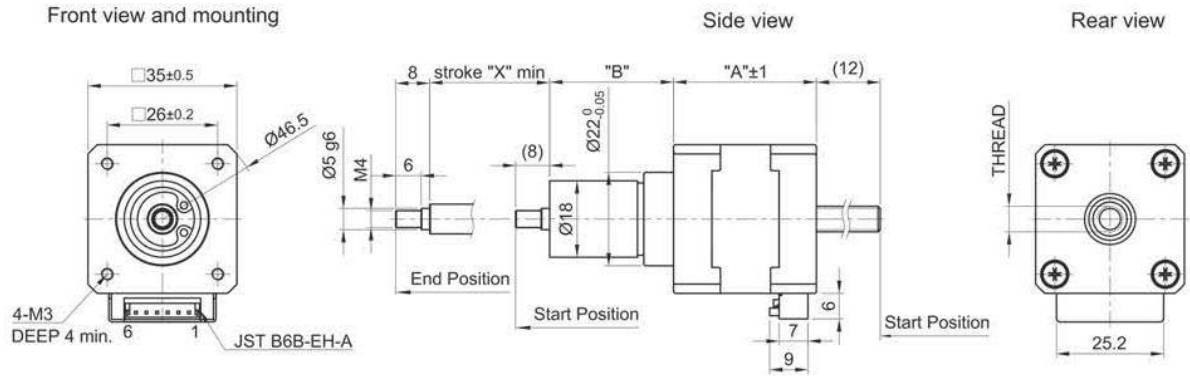
警告 (CAUTION)

数据表中指定的力和额定功率基于 10%至 20% 的占空比，必须将其相应降低才能获得更大的值。应避免运行至固定的限位挡块。

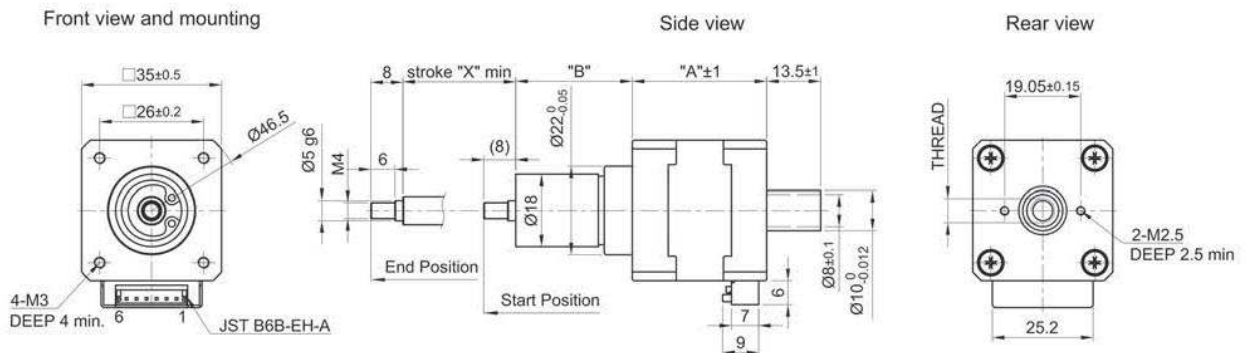
The force and power ratings specified in the data sheets are based on a duty cycle of 10% to 20% and must be reduced for higher values. Moving against fixed end stops should be avoided.

机械尺寸 (VERSIONS)

LGA351-A



LGA351-B



该款电机可以根据客户需求定制。

The motor can be designed & manufactured with customized request.



选件 Options



接插件

型号 (VERSIONS)

| 型号 (TYPE) | 推力 | 速度 | 相电流 | 分辨率 | 相电阻 | 相电感 | 丝杆直径 | 导程 | 丝杆长度 "L" | 机身长度 "A" | 重量 |
|----------------------|------------|---------------|-----------------------------|--------------------|-------------------------------------|---------------------------------|--------------------------|----------------------|-----------------------|--------------|--------------|
| | Force N | Speed mm/s | Current per Winding A | Resolution μm/步 | Resistance per Winding Ohm | Inductance per Winding mH | Thread Diameter mm | Thread Lead mm | Screw Length mm | Length mm | Weight kg |
| | N | mm/s | A | μm/步 | Ohm | mH | mm | mm | mm | mm | kg |
| LSA351S12-A-UKGI-152 | 70 | 100 | 1.2 | 31.75 | 1.85 | 2 | 6.35 | 6.35 | 152 | 33.6 | 0.18 |
| LSA351S12-B-UKGI-152 | 70 | 100 | 1.2 | 31.75 | 1.85 | 2 | 6.35 | 6.35 | 152 | 33.6 | 0.18 |
| LSA351M12-B-TJCA-152 | 210 | 55 | 1.2 | 10 | 3.2 | 3.4 | 6 | 2 | 152 | 43.6 | 0.25 |
| LSA351M12-B-UKGI-152 | 120 | 110 | 1.2 | 31.75 | 3.2 | 3.4 | 6.35 | 6.35 | 152 | 43.6 | 0.25 |

配件 (ACCESSORIES)

LSNUT-AAA-E-TJCA 螺纹螺母 – POM (Threaded Nut – POM)
 LSNUT-AAA-E-UKGI 螺纹螺母 – POM (Threaded Nut – POM)
 LSNUT-AEA-E-TJCA 预装螺纹螺母 – POM (pre-Loaded Threaded Nut - POM)
 LSNUT-AEA-E-UKGI 预装螺纹螺母 – POM (Loaded Threaded Nut - POM)
 ZK-JST-EHR-6-0.5M-S 电机线缆 0.5米 (Motor Cable 0.5 m)
 NANOLUBE-50G 润滑剂 (Lubricant)

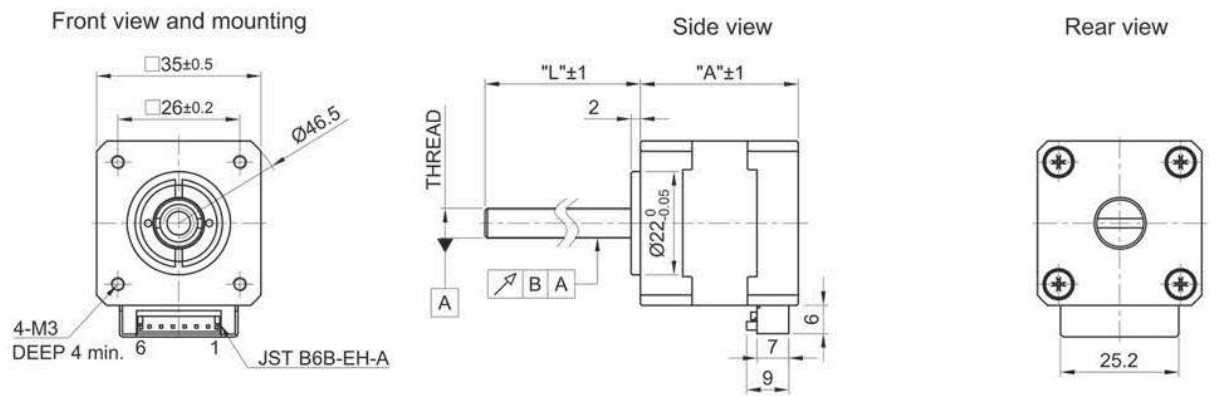
警告 (CAUTION)

数据表中指定的力和额定功率基于 10%至 20% 的占空比，必须将其相应降低才能获得更大的值。应避免运行至固定的限位挡块。

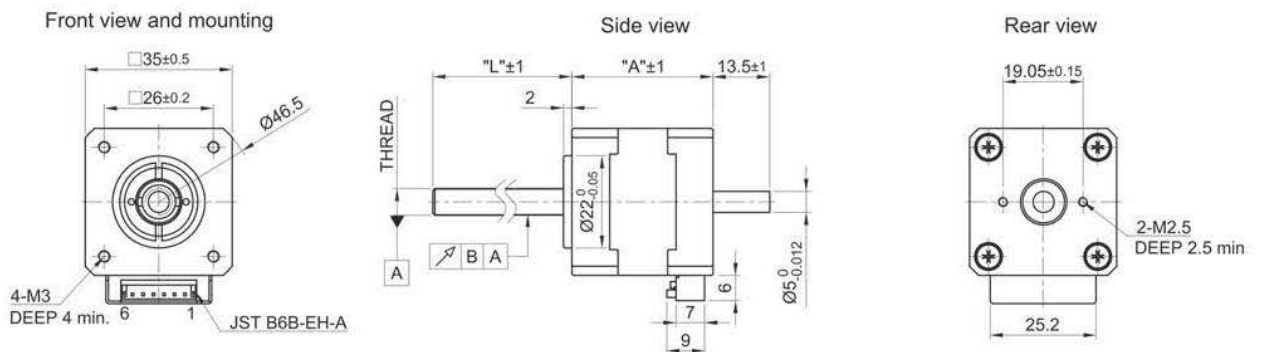
The force and power ratings specified in the data sheets are based on a duty cycle of 10% to 20% and must be reduced for higher values. Moving against fixed end stops should be avoided.

机械尺寸 (VERSIONS)

LSA351-A



LSA351-B



该款电机可以根据客户需求定制。

The motor can be designed & manufactured with customized request.



选件 Options



接插件

型号 (VERSIONS)

| 型号 Type | 推力 Force | 速度 Speed | 相电流 Current per Winding | 分辨率 Resolution | 相电阻 Resistance per Winding | 相电感 Inductance per Winding | 丝杆直径 Thread Diameter | 导程 Thread Lead | 机身长度 Length "A" | 衬套长度 Length "L" | 重量 Weight |
|-----------------|-------------|-------------|-------------------------------|-------------------|----------------------------------|----------------------------------|----------------------------|----------------------|-----------------------|-----------------------|--------------|
| | N | mm/s | A | μm/step | ohm | mH | mm | mm | mm | mm | kg |
| LA421S07-A-TJCA | 258.3 | 55 | 0.7 | 10 | 9.3 | 12.8 | 6 | 2 | 33.4 | 15 | 0.2 |
| LA421S07-B-TJCA | 258.3 | 55 | 0.7 | 10 | 9.3 | 12.8 | 6 | 2 | 33.4 | 15 | 0.2 |
| LA421S14-A-TJCA | 258.3 | 55 | 1.4 | 10 | 2 | 2.8 | 6 | 2 | 33.4 | 15 | 0.2 |
| LA421S14-A-UKGI | 152 | 80 | 1.4 | 31.75 | 2 | 2.8 | 6.35 | 6.35 | 33.4 | 15 | 0.2 |
| LA421S14-B-UKGI | 152 | 80 | 1.4 | 31.75 | 2 | 2.8 | 6.35 | 6.35 | 33.4 | 15 | 0.2 |
| LA421S14-B-TJCA | 258.3 | 55 | 1.4 | 10 | 2 | 2.8 | 6 | 2 | 33.4 | 15 | 0.2 |
| LA421L13-A-TJCA | 369 | 50 | 1.3 | 10 | 3.8 | 6.15 | 6 | 2 | 47.4 | 15 | 0.34 |
| LA421L13-B-TJCA | 369 | 50 | 1.3 | 10 | 3.8 | 6.15 | 6 | 2 | 47.4 | 15 | 0.34 |
| LA421L18-A-TJCA | 369 | 50 | 1.8 | 10 | 1.75 | 3.25 | 6 | 2 | 47.4 | 15 | 0.34 |
| LA421L18-B-TJCA | 369 | 50 | 1.8 | 10 | 1.75 | 3.25 | 6 | 2 | 47.4 | 15 | 0.34 |
| LA421L18-B-UKGI | 275.1 | 80 | 1.8 | 31.75 | 1.75 | 3.4 | 6.35 | 6.35 | 47.4 | 15 | 0.34 |

配件 (ACCESSORIES)

SCREW-ABA-TJCA-200

带梯形螺纹的丝杆 (Lead Screw with Trapezoidal Thread)

SCREW-ABA-TJCA-300

带梯形螺纹的丝杆 (Lead Screw with Trapezoidal Thread)

SCREW-AAA-TJCA-1000

带梯形螺纹的丝杆 (Lead Screw with Trapezoidal Thread)

SCREW-ABA-UKGI-200

带 ACME 螺纹的丝杆 (Lead Screw with ACME Thread)

SCREW-ABA-UKGI-300

带 ACME 螺纹的丝杆 (Lead Screw with ACME Thread)

SCREW-AAA-UKGI-1000

带 ACME 螺纹的丝杆 (Lead Screw with ACME Thread)

ZK-JST-EHR-6-0.5M-S

电机线缆 0.5米 (Motor Cable 0.5 m)

NANOLUBE-50G 润滑剂 (Lubricant)

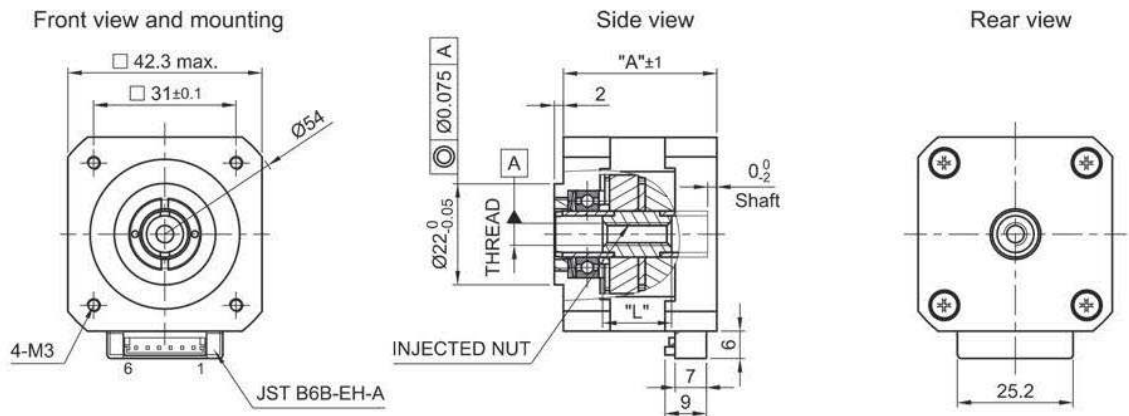
警告 (CAUTION)

数据表中指定的力和额定功率基 10% 至 20% 的占空比, 必须将其相应降低才能获得更大的值。应避免运行至固定的限位挡块。

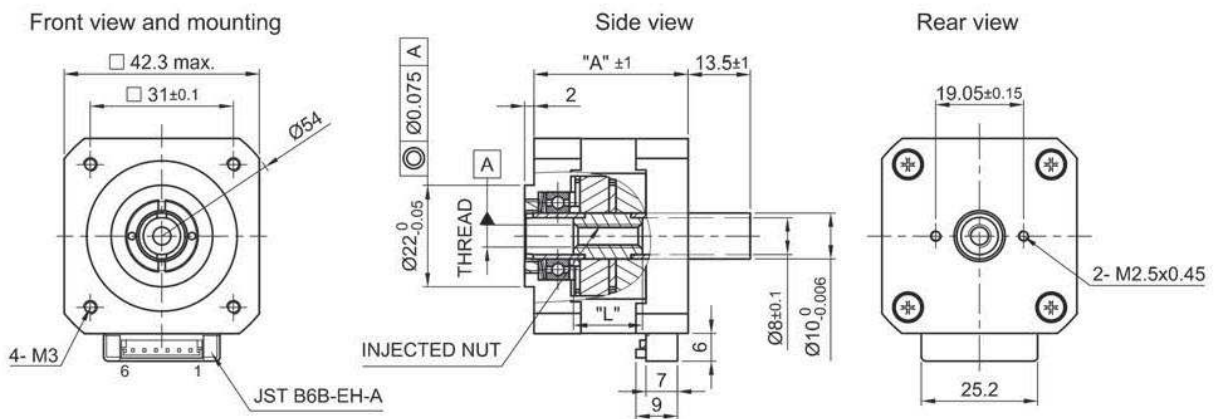
The force and power ratings specified in the data sheets are based on a duty cycle of 10% to 20% and must be reduced for higher values. Moving against fixed end stops should be avoided.

机械尺寸 (VERSIONS)

LA421-A



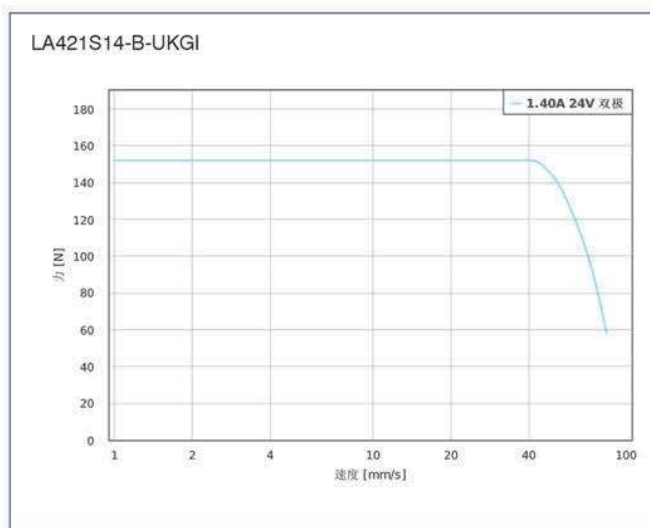
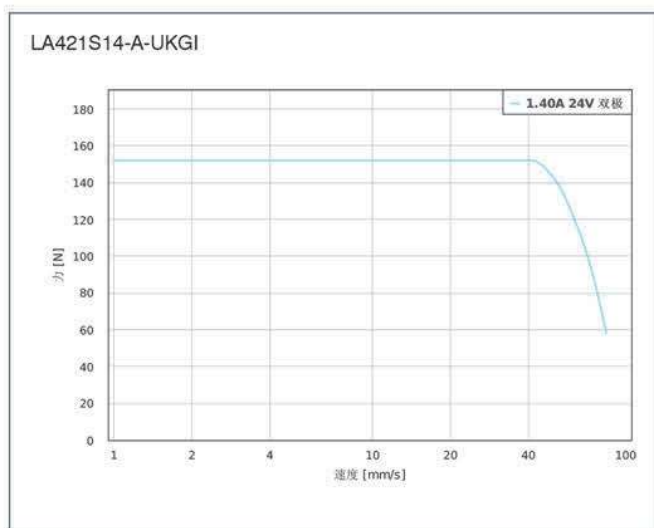
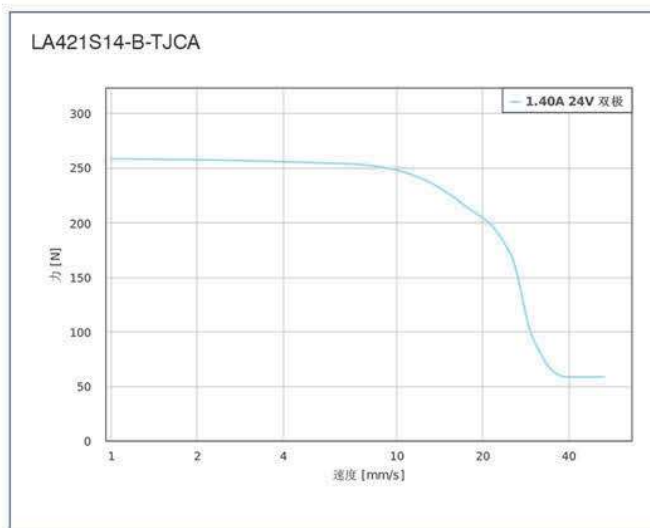
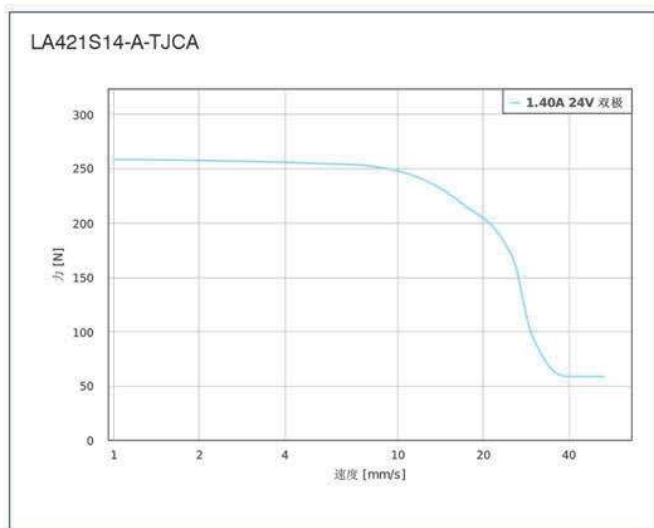
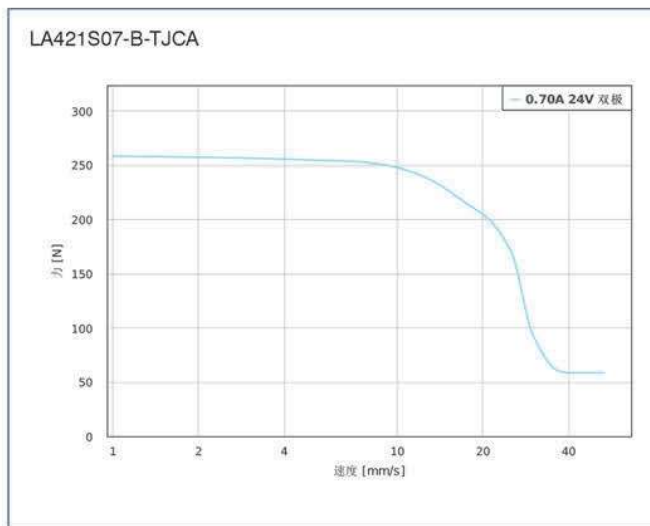
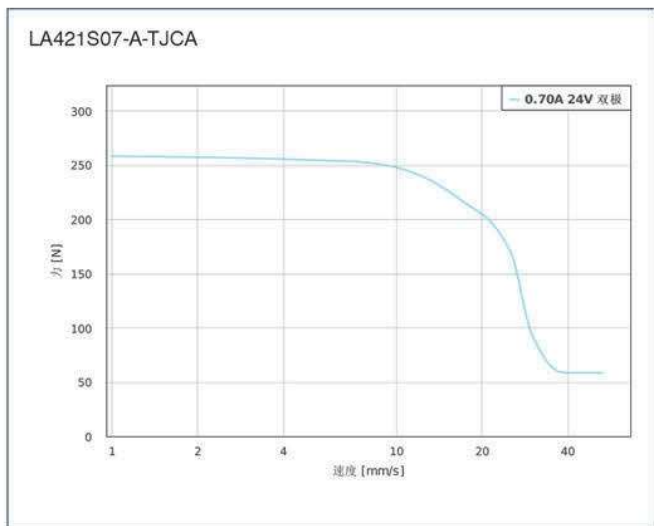
LA421-B

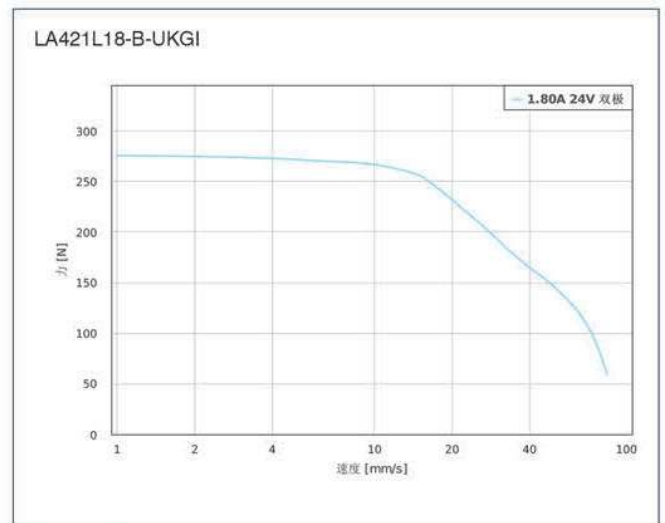
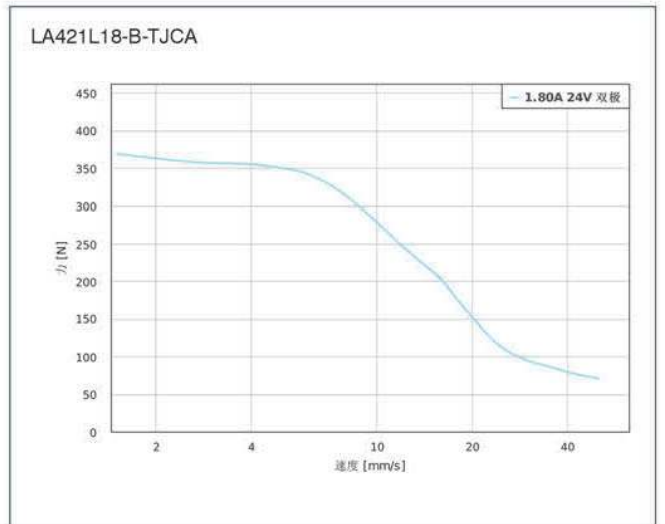
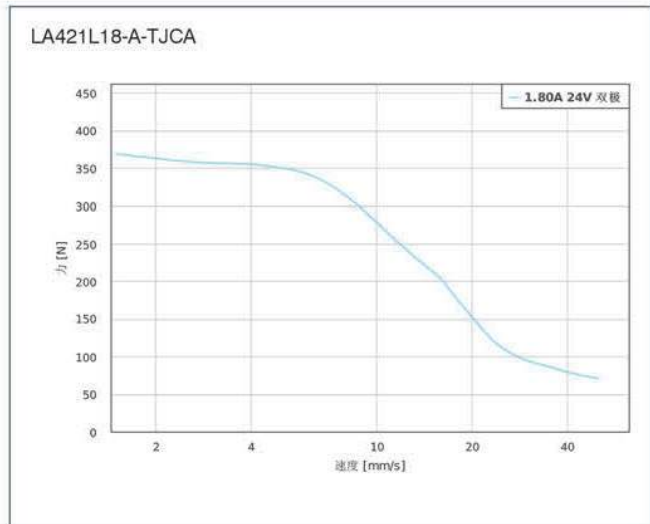
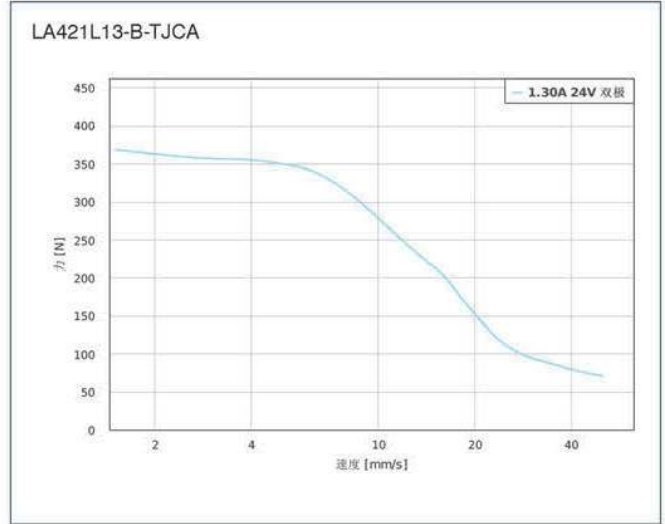
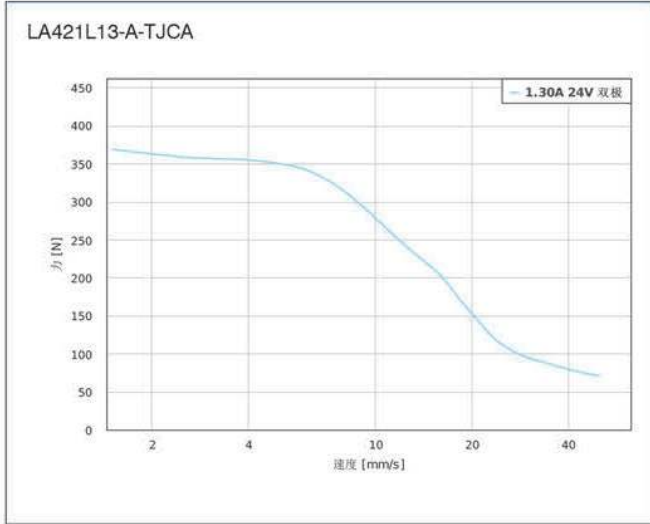


该款电机可以根据客户需求定制。

The motor can be designed & manufactured with customized request.

速度推力曲线 (FORCE-VELOCITY CURVES)





该款电机可以根据客户需求定制。

The motor can be designed & manufactured with customized request.





选件 Options



接插件

型号 (VERSIONS)

| 型号 | 推力 | 速度 | 相电流 | 分辨率 | 相电阻 | 相电感 | 丝杆直径 | 导程 | 机身长度 “A” | 行程长度 “X” | 重量 |
|----------------------|-------|-------|---------------------------|------------|------------------------------|------------------------------|--------------------|----------------|-------------|------------------|--------|
| Type | Force | Speed | Current per Winding | Resolution | Resistance Per Winding | Inductance per Winding | Thread Diameter | Thread Lead | Length | Stroke Length | Weight |
| | N | mm/s | A | μm/step | Ohm | mH | mm | mm | mm | mm | kg |
| LGA421S14-A-UKGI-019 | 152 | 80 | 1.4 | 31.75 | 2 | 2.8 | 6.35 | 6.35 | 33.4 | 19.05 | 0.24 |
| LGA421S14-B-UKGI-019 | 152 | 80 | 1.4 | 31.75 | 2 | 2.8 | 6.35 | 6.35 | 33.4 | 19.05 | 0.24 |
| LGA421S14-A-UKGI-038 | 152 | 80 | 1.4 | 31.75 | 2 | 2.8 | 6.35 | 6.35 | 33.4 | 38.1 | 0.25 |
| LGA421S14-B-UKGI-038 | 152 | 80 | 1.4 | 31.75 | 2 | 2.8 | 6.35 | 6.35 | 33.4 | 38.1 | 0.25 |
| LGA421L18-B-UKGI-025 | 275 | 80 | 1.8 | 31.75 | 1.75 | 3.4 | 6.35 | 6.35 | 47.4 | 25.4 | 0.34 |
| LGA421L18-B-UKGI-063 | 275 | 80 | 1.8 | 31.75 | 1.75 | 3.4 | 6.35 | 6.35 | 47.4 | 63.5 | 0.39 |

配件 (ACCESSORIES)

ZK-JST-EHR-6-0.5M-S
电机线缆 0.5米(Motor Cable 0.5 m)

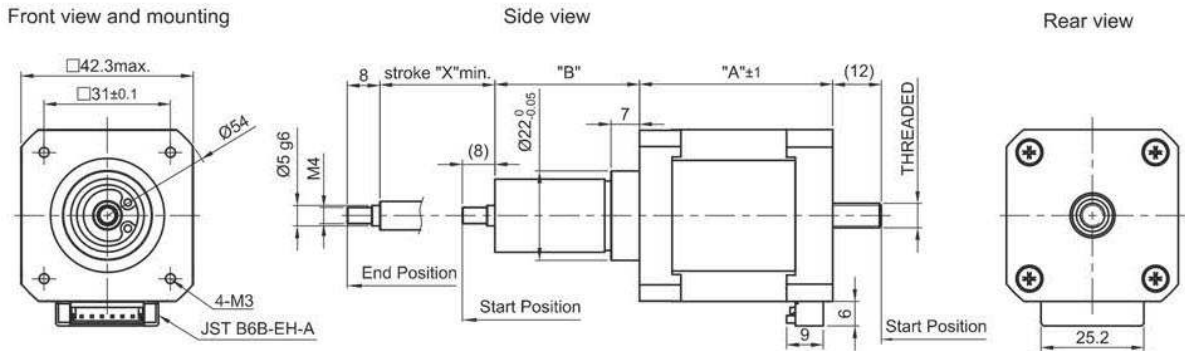
警告 (CAUTION)

数据表中指定的力和额定功率基于 10%至 20% 的占空比，必须将其相应降低才能获得更大的值。应避免运行至固定的限位挡块。

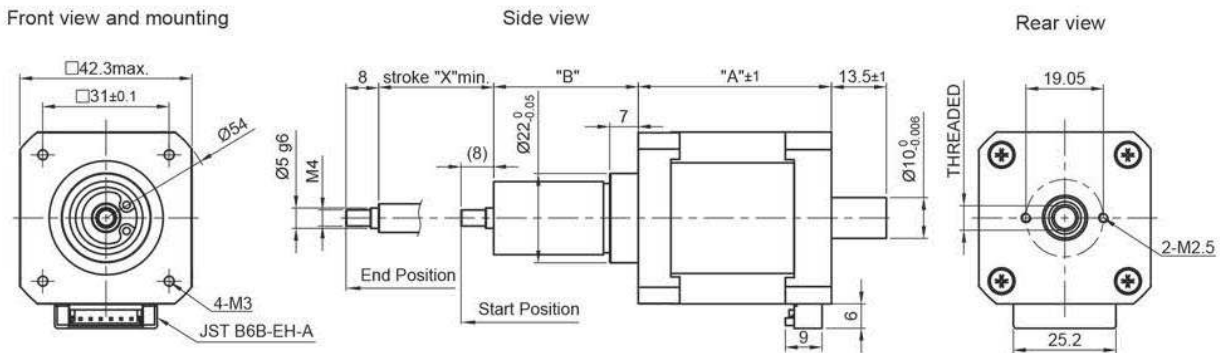
The force and power ratings specified in the data sheets are based on a duty cycle of 10% to 20% and must be reduced for higher values. Moving against fixed end stops should be avoided.

机械尺寸 (VERSIONS)

LGA421-A



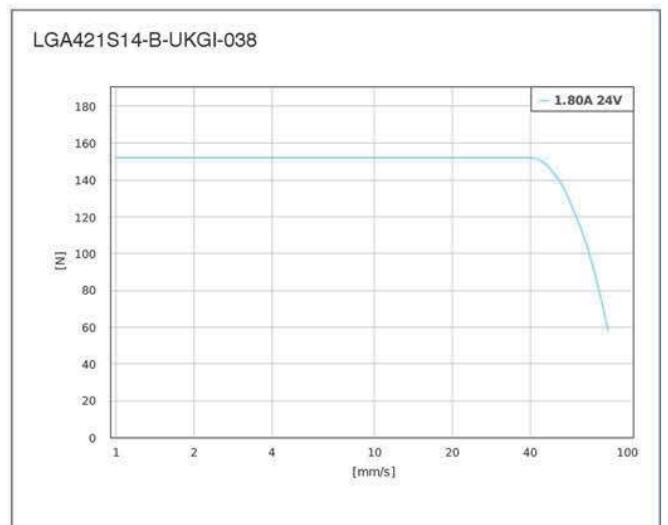
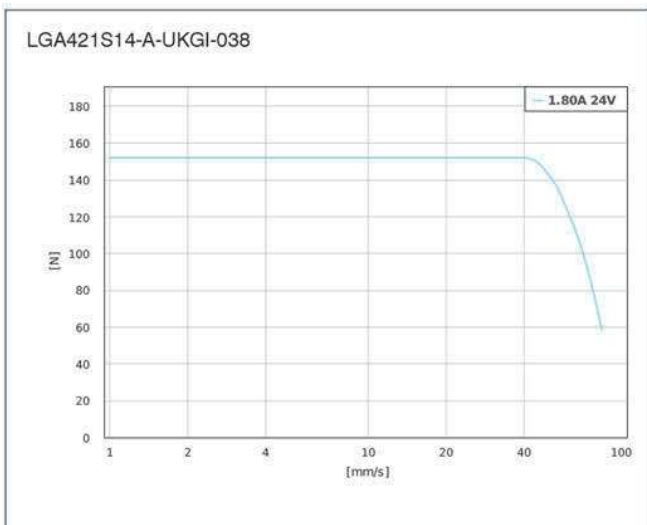
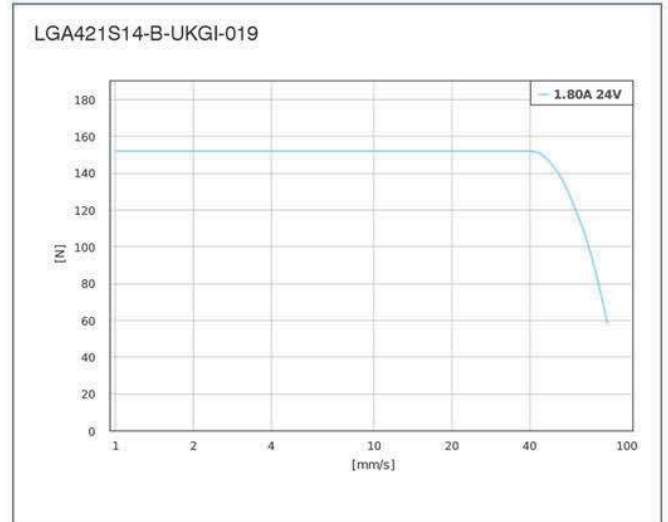
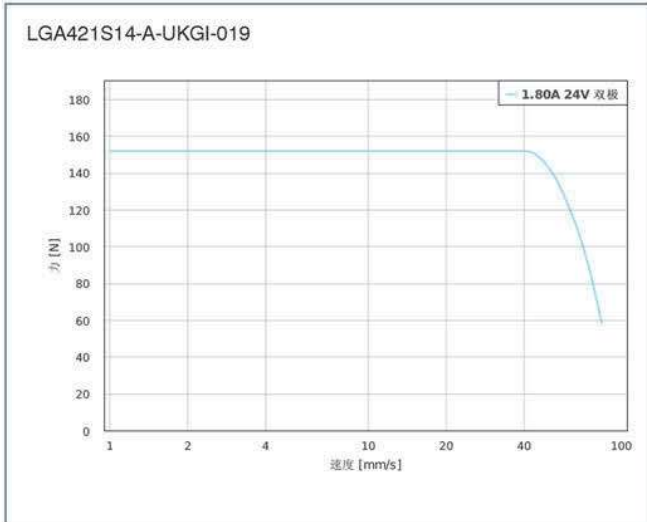
LGA421-B

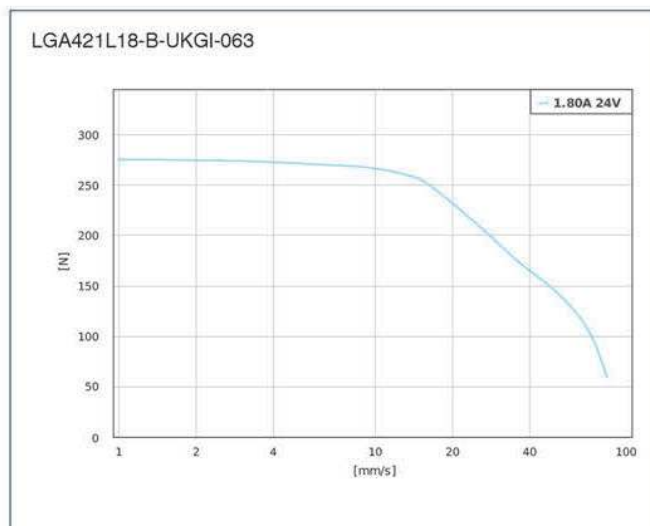
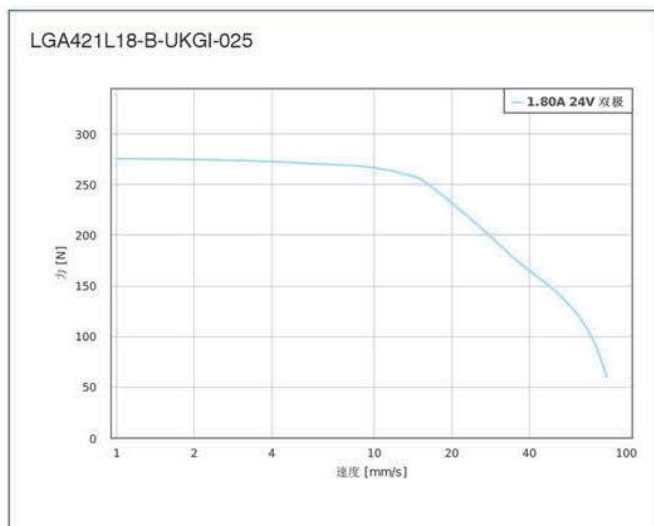


该款电机可以根据客户需求定制。

The motor can be designed & manufactured with customized request.

速度推力曲线 (FORCE-VELOCITY CURVES)





该款电机可以根据客户需求定制。

The motor can be designed & manufactured with customized request.

LSA42

外部驱动式线性执行器 (External Linear Actuator) NEMA 17



选件 Options



型号 (VERSIONS)

| 型号 Type | 推力 Force N | 速度 Speed mm/s | 相电流 Current per Winding A | 分辨率 Resolution $\mu\text{m}/\text{step}$ | 相电阻 Resistance per Winding Ohm | 相电感 Inductance per Winding mH | 丝杆直径 Thread Diameter mm | 导程 Thread Lead mm | 丝杆长度 "L" Length "L" mm | 机身长度 "A" Length "A" mm | 重量 Weight Kg |
|----------------------|------------|---------------|---------------------------|--|--------------------------------|-------------------------------|-------------------------|-------------------|------------------------|------------------------|--------------|
| LSA421S14-A-UKGI-152 | 152 | 80 | 1.4 | 31.75 | 2 | 2.8 | 6.35 | 6.35 | 152 | 33.4 | 0.26 |
| LSA421S14-B-UKGI-152 | 152 | 80 | 1.4 | 31.75 | 2 | 2.8 | 6.35 | 6.35 | 152 | 33.4 | 0.26 |
| LSA421L18-B-TJCA-152 | 369 | 50 | 1.8 | 10 | 1.75 | 3.25 | 6 | 2 | 152 | 47.4 | 0.4 |
| LSA421L18-B-UKGI-152 | 275 | 80 | 1.8 | 31.75 | 1.75 | 3.4 | 6.35 | 6.35 | 152 | 47.4 | 0.4 |

配件 (ACCESSORIES)

LSNUT-AAAE-TJCA 螺纹螺母(Threaded Nut) – POM
 LSNUT-AAAE-UKGI 螺纹螺母(Threaded Nut) – POM
 LSNUT-AEAE-TJCA 预装螺纹螺母(Loaded Threaded Nut) – POM
 LSNUT-AEAE-UKGI 预装螺纹螺母(Loaded Threaded Nut) – POM
 ZK-JST-EHR-6-0.5M-S 电机线缆 0.5米(Motor Cable 0.5 m)
 NANOLUBE-50G 润滑剂(Lubricant)

警告 (CAUTION)

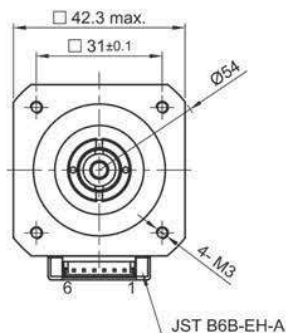
数据表中指定的力和额定功率基于 10%至 20% 的占空比, 必须将其相应降低才能获得更大的值。应避免运行至固定的限位挡块。

The force and power ratings specified in the data sheets are based on a duty cycle of 10% to 20% and must be reduced for higher values. Moving against fixed end stops should be avoided.

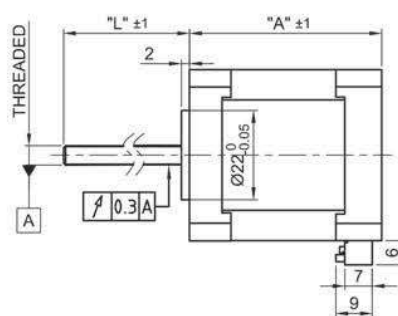
机械尺寸 (VERSIONS)

LSA421-A

Front view and mounting



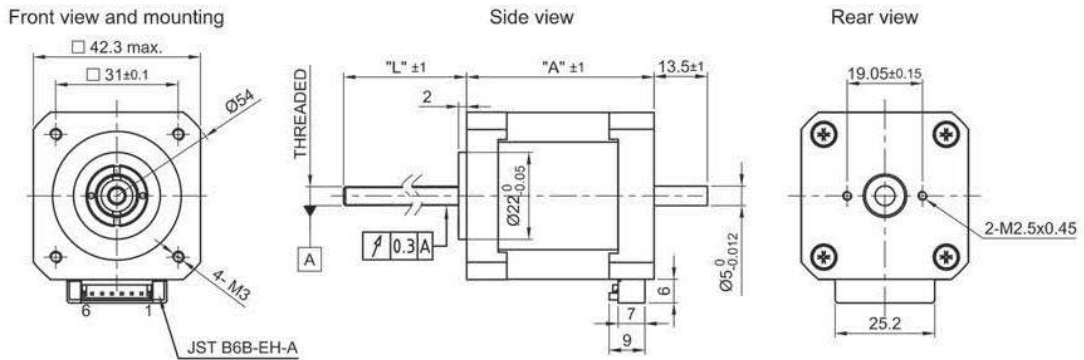
Side view



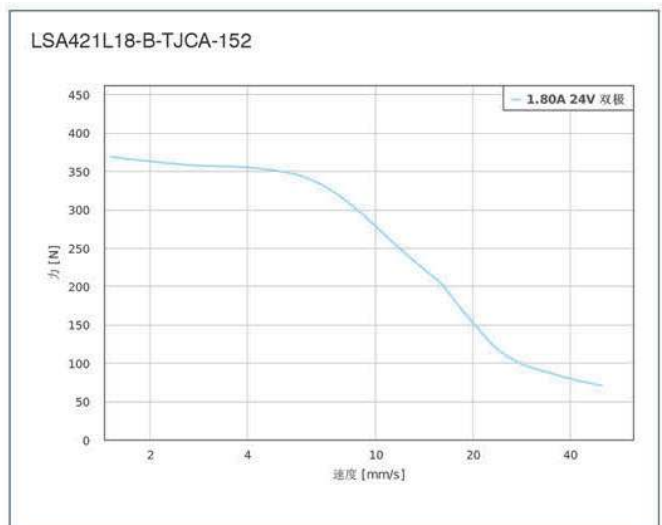
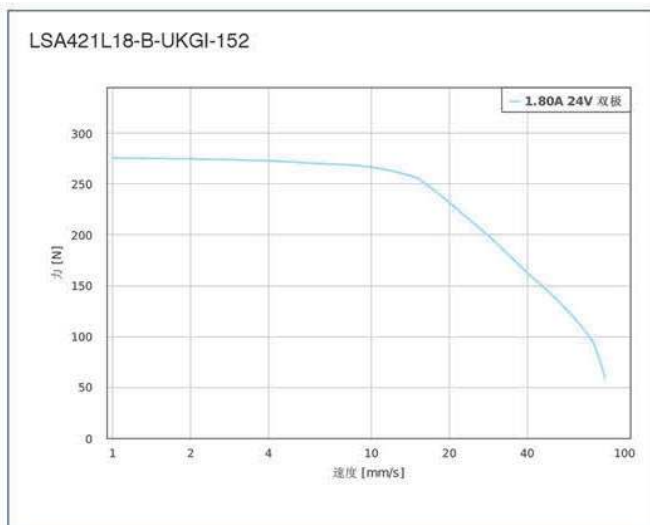
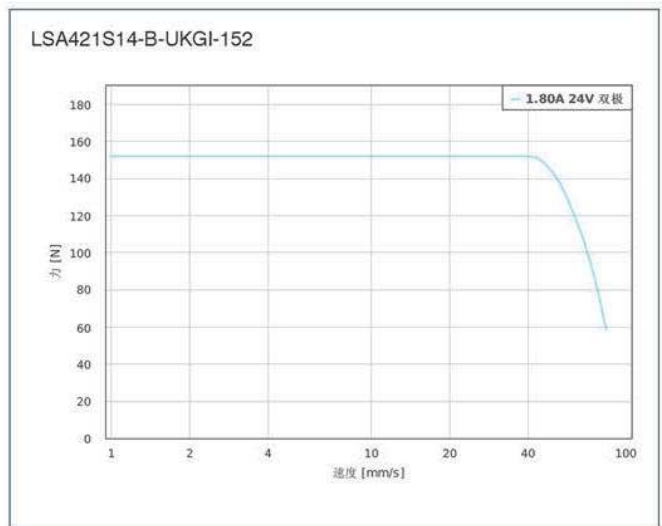
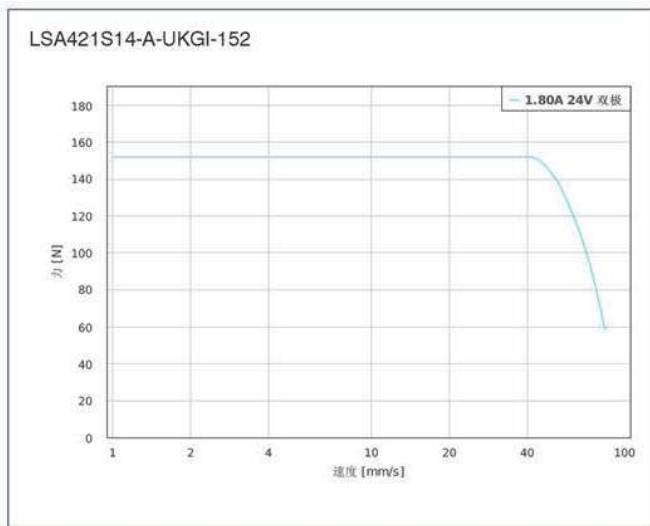
Rear view



LSA421-B



速度推力曲线 (FORCE-VELOCITY CURVES)



该款电机可以根据客户需求定制。

The motor can be designed & manufactured with customized request.



贯通轴式线性执行器

((Non-captive Linear Actuator) NEMA 23



选件 Options



接插件

型号 (VERSIONS)

| 型号 Type | 推力 Force | 速度 Speed | 相电流 Current per Winding | 分辨率 Resolution | 相电阻 Resistance per Winding | 相电感 Inductance per Winding | 丝杆直径 Thread Diameter | 导程 Thread Lead | 机身长度 Length "A" | 重量 Weight |
|-----------------|-------------|-------------|-------------------------------|-------------------|----------------------------------|----------------------------------|----------------------------|----------------------|-----------------------|--------------|
| | N | mm/s | A | μm/步 | Ohm | mH | mm | mm | mm | kg |
| LA561S20-A-TSCA | 800 | 50 | 2.0 | 10 | 1.6 | 3.5 | 10.0 | 2 | 50.3 | 0.65 |
| LA561S20-B-TSCA | 800 | 50 | 2.0 | 10 | 1.6 | 3.5 | 10.0 | 2 | 50.3 | 0.65 |
| LA561S20-A-TSGA | 500 | 130 | 2.0 | 30 | 1.6 | 3.5 | 10.0 | 6 | 50.3 | 0.65 |
| LA561S20-B-TSGA | 500 | 130 | 2.0 | 30 | 1.6 | 3.5 | 10.0 | 6 | 50.3 | 0.65 |
| LA561S20-A-UQBG | 1000 | 40 | 2.0 | 6.35 | 1.6 | 3.5 | 9.525 | 1.27 | 50.3 | 0.65 |
| LA561S20-B-UQBG | 1000 | 40 | 2.0 | 6.35 | 1.6 | 3.5 | 9.525 | 1.27 | 50.3 | 0.65 |
| LA561S20-A-UQCN | 750 | 65 | 2.0 | 12.7 | 1.6 | 3.5 | 9.525 | 2.54 | 50.3 | 0.65 |
| LA561S20-B-UQCN | 750 | 65 | 2.0 | 12.7 | 1.6 | 3.5 | 9.525 | 2.54 | 50.3 | 0.65 |
| LA561L42-A-TSCA | 1000 | 60 | 4.2 | 10 | 0.54 | 2.4 | 10.0 | 2 | 77.3 | 1.0 |
| LA561L42-B-TSCA | 1000 | 60 | 4.2 | 10 | 0.54 | 2.4 | 10.0 | 2 | 77.3 | 1.0 |
| LA561L42-A-TSGA | 700 | 150 | 4.2 | 30 | 0.54 | 2.4 | 10.0 | 6 | 77.3 | 1.0 |
| LA561L42-B-TSGA | 700 | 150 | 4.2 | 30 | 0.54 | 2.4 | 10.0 | 6 | 77.3 | 1.0 |
| LA561L42-A-UQBG | 1200 | 45 | 4.2 | 6.35 | 0.54 | 2.4 | 9.525 | 1.27 | 77.3 | 1.0 |
| LA561L42-B-UQBG | 1200 | 45 | 4.2 | 6.35 | 0.54 | 2.4 | 9.525 | 1.27 | 77.3 | 1.0 |
| LA561L42-A-UQCN | 1100 | 60 | 4.2 | 12.7 | 0.54 | 2.4 | 9.525 | 2.54 | 77.3 | 1.0 |
| LA561L42-B-UQCN | 1100 | 60 | 4.2 | 12.7 | 0.54 | 2.4 | 9.525 | 2.54 | 77.3 | 1.0 |

配件 (ACCESSORIES)

SCREW-ABA-TSCA-200

带梯形螺纹的丝杆Lead Screw with Trapezoidal Thread

SCREW-ABA-TSCA-300

带梯形螺纹的丝杆Lead Screw with Trapezoidal Thread

SCREW-AAA-TSCA-1000

带梯形螺纹的丝杆Lead Screw with Trapezoidal Thread

SCREW-ABA-UQBG-200

带 ACME 螺纹的丝杆Lead Screw with ACME Thread

SCREW-ABA-UQBG-300

带 ACME 螺纹的丝杆Lead Screw with ACME Thread

SCREW-AAA-UQBG-1000

带 ACME 螺纹的丝杆Lead Screw with ACME Thread

ZK-JST-VHR-6N-0.5M-S

电机线缆 0.5米Motor Cable 0.5 m

NANOLUBE-50G 润滑剂Lubricant

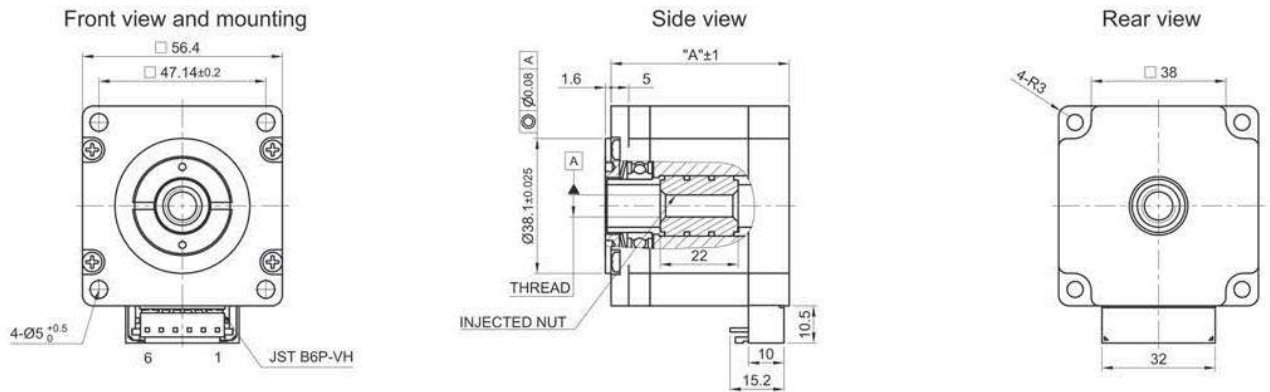
警告 (CAUTION)

数据表中指定的力和额定功率基于 10%至 20% 的占空比, 必须将其相应降低才能获得更大的值。应避免运行至固定的限位挡块。

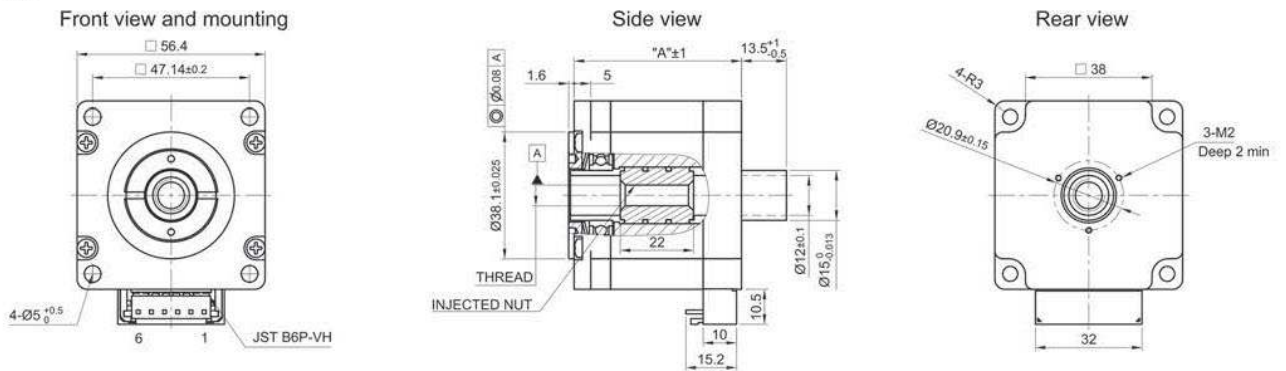
The force and power ratings specified in the data sheets are based on a duty cycle of 10% to 20% and must be reduced for higher values. Moving against fixed end stops should be avoided.

机械尺寸 (VERSIONS)

LA561-A



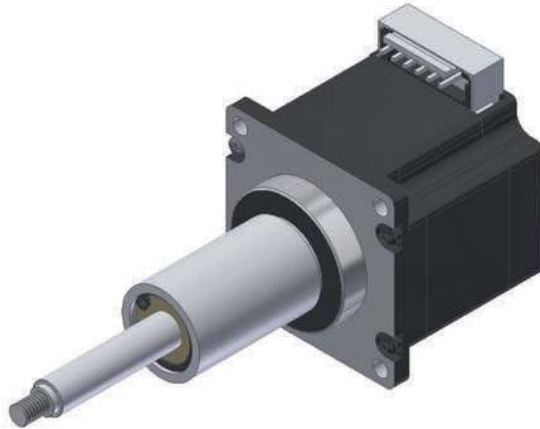
LA561-B



该款电机可以根据客户需求定制。

The motor can be designed & manufactured with customized request.





选件 Options



型号 (VERSIONS)

| 型号 Type | 推力 | 速度 Speed | 相电流 Current per Winding | 分辨率 Resolution | 相电阻 Resistance per Winding | 相电感 Inductance per Winding | 丝杆直径 Thread Diameter | 导程 Thread Lead | 机身长度 | | 行程长度 “X” Stroke Length | 重量 Weight |
|----------------------|-------|-------------|-------------------------------|-------------------|----------------------------------|----------------------------------|----------------------------|----------------------|------------|-------|------------------------------|--------------|
| | Force | | | | | | | | “A” | “B” | | |
| | N | mm/s | A | μm/步 | Ohm | mH | mm | mm | mm | mm | kg | |
| LGA561S20-A-TSCA-019 | 800 | 50 | 2.0 | 10 | 1.6 | 3.5 | 10 | 2 | 50.3/31.15 | 19.05 | 0.80 | |
| LGA561S20-B-TSCA-019 | 800 | 50 | 2.0 | 10 | 1.6 | 3.5 | 10 | 2 | 50.3/31.15 | 19.05 | 0.80 | |
| LGA561S20-A-TSCA-038 | 800 | 50 | 2.0 | 10 | 1.6 | 3.5 | 10 | 2 | 50.3/50.2 | 38.1 | 0.85 | |
| LGA561S20-B-TSCA-038 | 800 | 50 | 2.0 | 10 | 1.6 | 3.5 | 10 | 2 | 50.3/50.2 | 38.1 | 0.85 | |
| LGA561L42-B-UQBG-025 | 1200 | 45 | 4.2 | 6.35 | 0.54 | 2.4 | 9.525 | 1.27 | 77.3/37.1 | 25.4 | 1.20 | |
| LGA561L42-B-UQBG-063 | 1200 | 45 | 4.2 | 6.35 | 0.54 | 2.4 | 9.525 | 1.27 | 77.3/75.6 | 63.5 | 1.35 | |
| LGA561L42-B-UQCN-025 | 1100 | 60 | 4.2 | 12.7 | 0.54 | 2.4 | 9.525 | 2.54 | 77.3/37.1 | 25.4 | 1.20 | |
| LGA561L42-B-UQCN-063 | 1100 | 60 | 4.2 | 12.7 | 0.54 | 2.4 | 9.525 | 2.54 | 77.3/75.6 | 63.5 | 1.35 | |

配件 (ACCESSORIES)

ZK-JST-VHR-6N-0.5M-S 电机线缆 0.5米
ZK-JST-VHR-6N-0.5M-S
Motor Cable 0.5 m

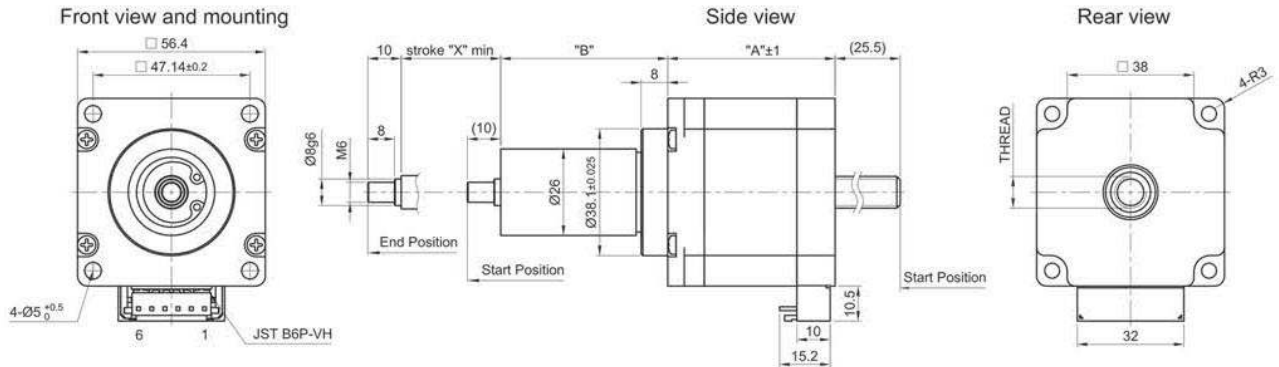
警告 (CAUTION)

数据表中指定的力和额定功率基于 10%至 20% 的占空比，必须将其相应降低才能获得更大的值。应避免运行至固定的限位挡块。

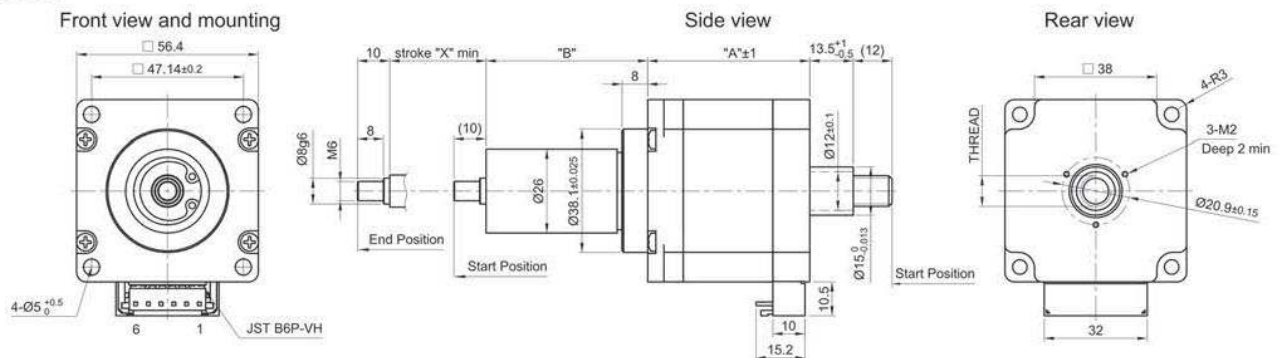
The force and power ratings specified in the data sheets are based on a duty cycle of 10% to 20% and must be reduced for higher values. Moving against fixed end stops should be avoided.

机械尺寸 (VERSIONS)

LGA56-A



LGA561-B



该款电机可以根据客户需求定制。

The motor can be designed & manufactured with customized request.

选项 Options



型号 (VERSIONS)

| 型号 (TYPE) | 推力 | 速度 | 相电流 | 分辨率 | 相电阻 | 相电感 | 丝杆直径 | 导程 | 丝杆长度 "L" | 机身长度 "A" | 重量 |
|----------------------|------------|---------------|---------------------------|------------|---------------------------|---------------------------|--------------------|----------------|-----------------|-------------|--------|
| | Force N | Speed mm/s | Current per Winding | Resolution | Resistance per Winding | Inductance per Winding | Thread Diameter | Thread Lead | Screw Length | Length | Weight |
| | N | mm/s | A | μm/步 | Ohm | mH | mm | mm | mm | mm | kg |
| LSA561S20-A-TSCA-152 | 800 | 50 | 2 | 10 | 1.6 | 3.5 | 10 | 2 | 152 | 50.3 | 0.82 |
| LSA561S20-B-TSCA-152 | 800 | 50 | 2 | 10 | 1.6 | 3.5 | 10 | 2 | 152 | 50.3 | 0.82 |
| LSA561S20-A-TSGA-152 | 500 | 130 | 2 | 30 | 1.6 | 3.5 | 10 | 6 | 152 | 50.3 | 0.82 |
| LSA561S20-B-TSGA-152 | 500 | 130 | 2 | 30 | 1.6 | 3.5 | 10 | 6 | 152 | 50.3 | 0.82 |
| LSA561S20-A-UQBG-152 | 1000 | 40 | 2 | 6.35 | 1.6 | 3.5 | 9.525 | 1.27 | 152 | 50.3 | 0.82 |
| LSA561S20-B-UQBG-152 | 1000 | 40 | 2 | 6.35 | 1.6 | 3.5 | 9.525 | 1.27 | 152 | 50.3 | 0.82 |
| LSA561S20-A-UQCN-152 | 750 | 65 | 2 | 12.7 | 1.6 | 3.5 | 9.525 | 2.54 | 152 | 50.3 | 0.82 |
| LSA561S20-B-UQCN-152 | 750 | 65 | 2 | 12.7 | 1.6 | 3.5 | 9.525 | 2.54 | 152 | 50.3 | 0.82 |

配件 (ACCESSORIES)

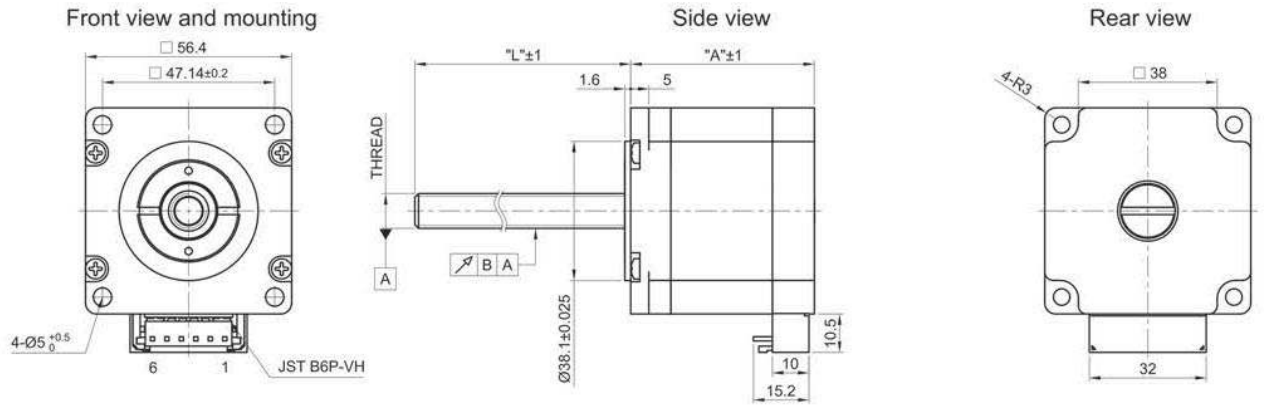
LSNUT-AAAG-TSCA 螺纹螺母 – POM
Threaded Nut – POM
LSNUT-AAAG-UQBG 螺纹螺母 – POM
Threaded Nut – POM
LSNUT-AEAG-TSCA 预装螺纹螺母 – POM
Loaded Threaded Nut - POM
LSNUT-AEAG-UQBG 预装螺纹螺母 – POM
Loaded Threaded Nut - POM
ZK-JST-VHR-6N-0.5M-S
电机线缆 0.5米
Motor Cable 0.5 m
NANOLUBE-50G 润滑剂
NANOLUBE-50G Lubricant

警告 (CAUTION)

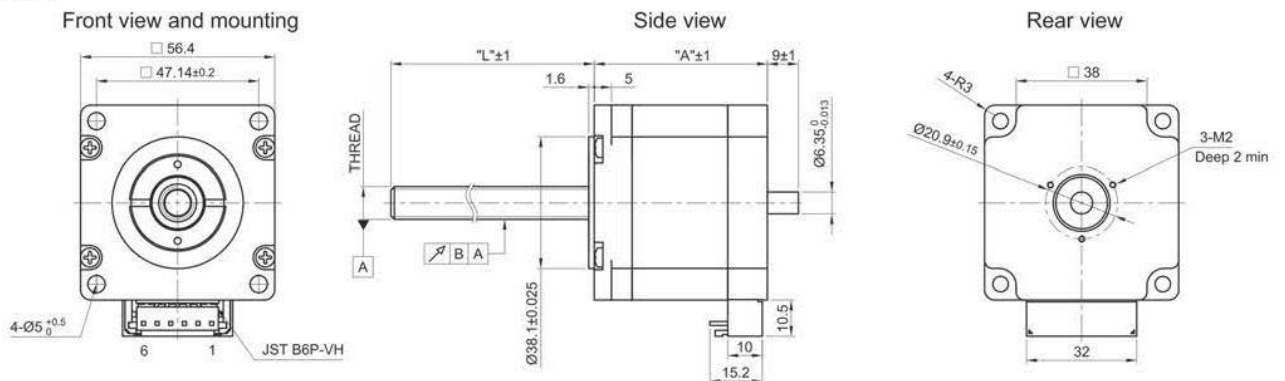
数据表中指定的力和额定功率基于 10%至 20% 的占空比，必须将其相应降低才能获得更大的值。应避免运行至固定的限位挡块。
The force and power ratings specified in the data sheets are based on a duty cycle of 10% to 20% and must be reduced for higher values. Moving against fixed end stops should be avoided.

机械尺寸 (VERSIONS)

LSA561-A



LSA561-B



该款电机可以根据客户需求定制。

The motor can be designed & manufactured with customized request.



3.6° 42mm

混合式步进电机 Hybrid Stepper Motor

特性概要 (General specification)

选件 Options

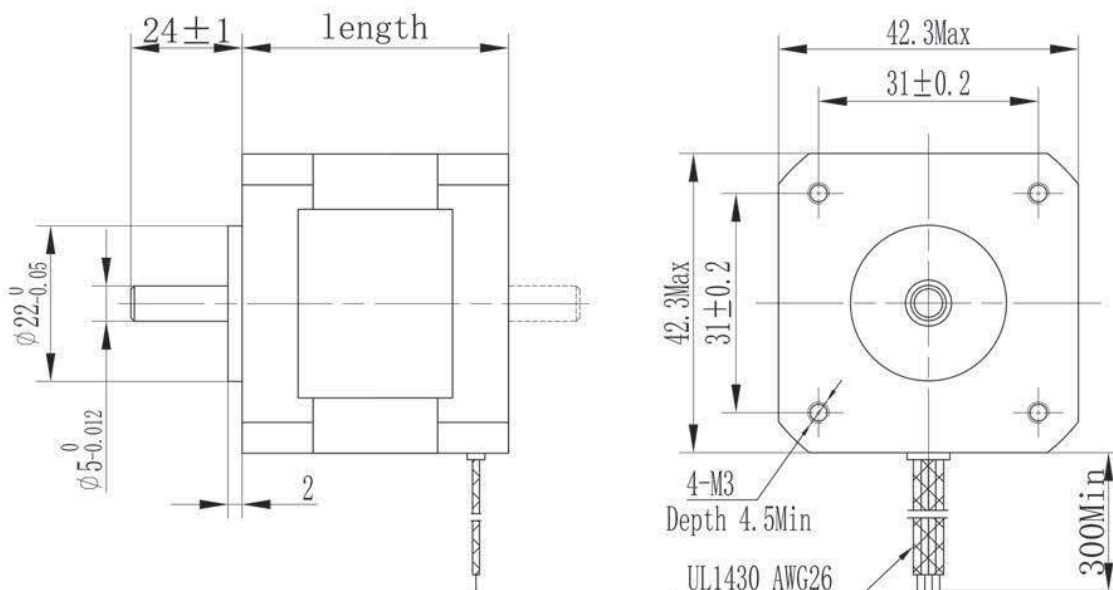


| 项目 (Item) | 说明 (Specifications) |
|------------------------------|-------------------------------------|
| 步距角 (Step Angle) | 3.6° |
| 步距角精度 (Step Angle Accuracy) | ±5% (整步无负载, full step, no load) |
| 径向间隙 (Radial Play) | 0.02mm@450 g |
| 轴向间隙 (Axial Play) | 0.08mm@450 g |
| 最大径向负载 (Max. radial force) | 28N 距法兰 20mm (20mm from the flange) |
| 最大轴向负载 (Max. axial force) | 10N |
| 介电强度 (Dielectric Strength) | 600VAC / 1s |
| 绝缘电阻 (Insulation Resistance) | 100MΩ ,500VDC |
| 环境温度 (Ambient Temperature) | -20· C~+50· C |
| 绝缘等级 (Insulation Class) | Class B |

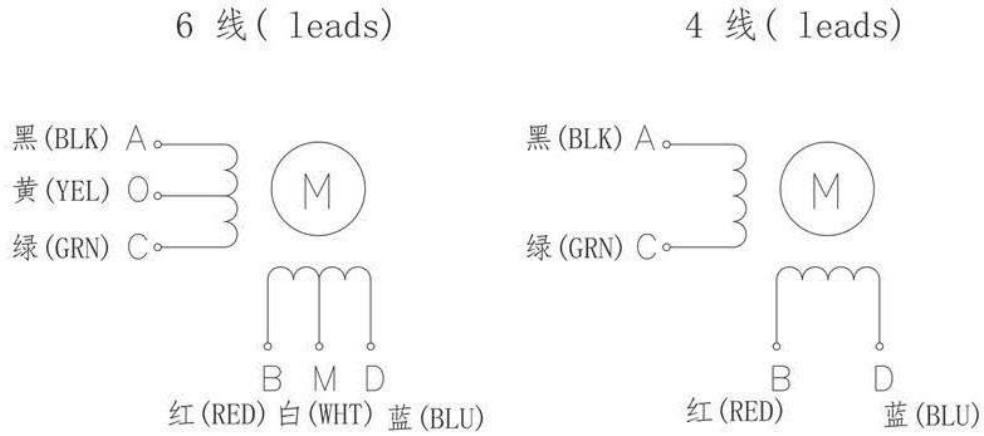
电性能 (Electrical specifications)

| 型号 (Model No.) | Current /Phase 每相 电流 | Resistance /Phase 每相 电阻 | Inductance /Phase 每相 电感 | Holding Torque 保持 转矩 | Detent Torque 定位 转矩 | # of Leads 引出 线数 | Rotor Inertia 转动 惯量 | Weight 重量 | Length 机身 长度 |
|-------------------|----------------------------|-------------------------------|-------------------------------|----------------------------|---------------------------|------------------------|---------------------------|--------------|--------------------|
| Single shaft(单出轴) | A | Ω | mH | N.m | N.m | # | g·cm ² | kg | mm |
| FL42ST33-0504DA | 0.5 | 17 | 30 | 0.08 | 0.016 | 4 | 16 | 0.2 | 32±1 |

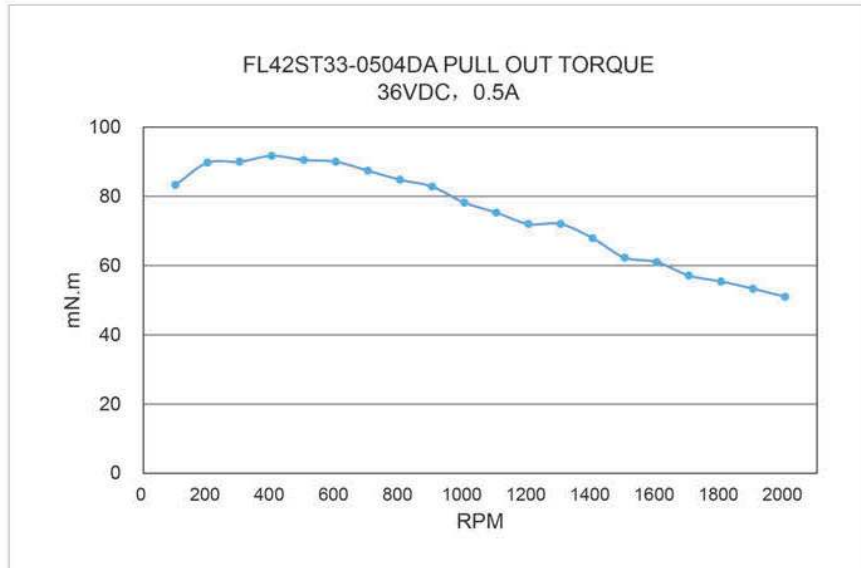
机械尺寸 (Dimension)



■ 接线图 (Wiring Diagram)



■ 矩频曲线 (Pull out torque curve)



该款电机可以根据客户需求定制。

The motor can be designed & manufactured with customized request.

1.8° 28mm

扁平混合式步进电机 Flat Hybrid Stepper Motor

特性概要 (General specification)



选件 Options

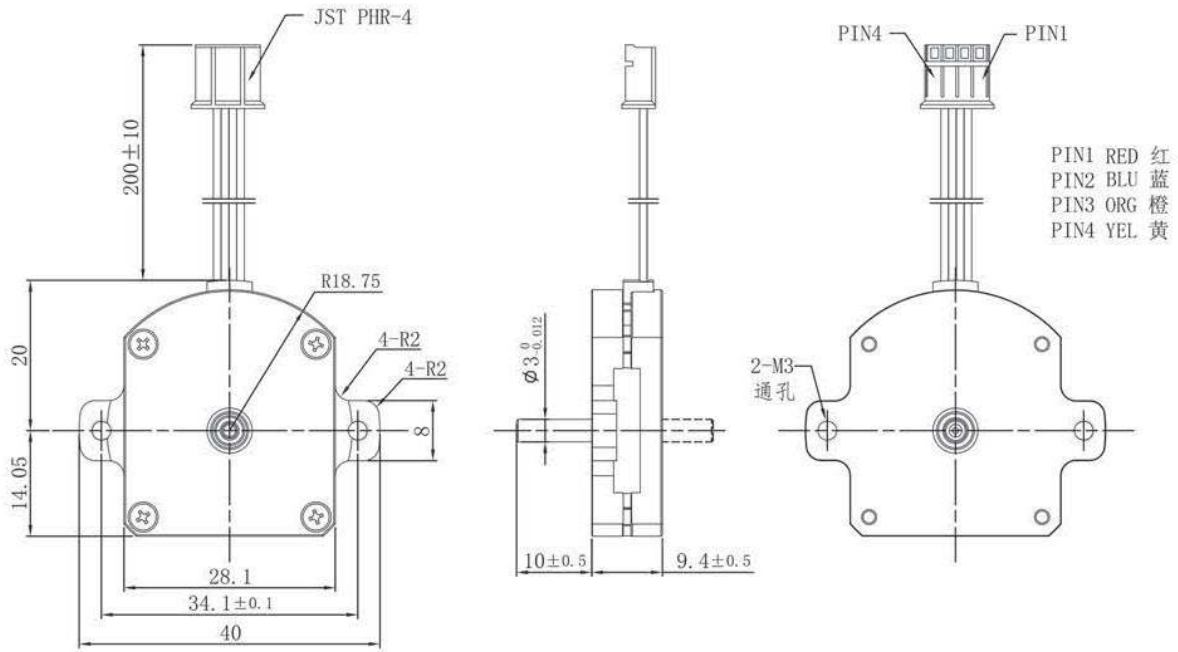


| 项目 (Item) | 说明 (Specifications) |
|--------------------------------|-----------------------------------|
| 步距角 (Step Angle) | 1.8° |
| 步距角精度 (Step Angle Accuracy) | ±5% (整步无负载, full step, no load) |
| 径向间隙 (Radial Play) | 0.02mm@400 g |
| 轴向间隙 (Axial Play) | 0.08mm@400 g |
| 最大径向负载 (Max. radial force) | 10N 距法兰 5mm (5mm from the flange) |
| 最大轴向负载 (Max. axial force) | 2N |
| 介电强度 (Dielectric Strength) | 600VAC / 1S |
| 绝缘电阻 (Insulation Resistance) | 100MΩ ,500VDC |
| 环境温度 (Ambient Temperature) | -20- C~+50- C |
| 绝缘等级 (Insulation Class) | Class B |

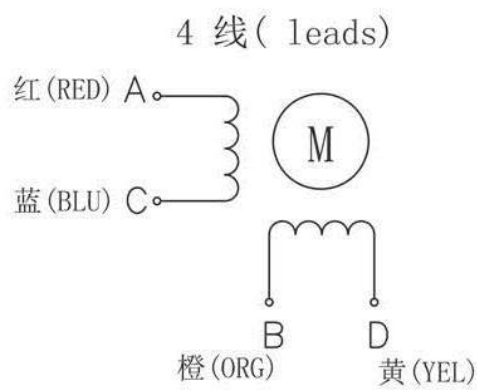
电性能 (Electrical specifications)

| 型号 (Model No.) | Current /Phase 每相 电流 | Resistance /Phase 每相 电阻 | Inductance /Phase 每相 电感 | Holding Torque 保持 转矩 | Detent Torque 定位 转矩 | # of Leads 引出线数 | Rotor Inertia 转动 惯量 | Weight 重量 | Length 机身 长度 |
|----------------------|-------------------------------|----------------------------------|----------------------------------|-------------------------------|------------------------------|-----------------------|------------------------------|--------------|--------------------|
| Single shaft (单出轴) | A | Ω | mH | N.m | N.m | # | g-cm ² | kg | mm |
| FL28ST10-0504A | 0.5 | 3.7 | 0.88 | 0.01 | 0.001 | 4 | 1.7 | 0.028 | 9.4 |

机械尺寸 (Dimension)



接线图 (Wiring Diagram)



该款电机可以根据客户需求定制。

The motor can be designed & manufactured with customized request.

1.8° 46mm

扁平混合式步进电机 Flat Hybrid Stepper Motor

特性概要 (General specification)

选件 Options

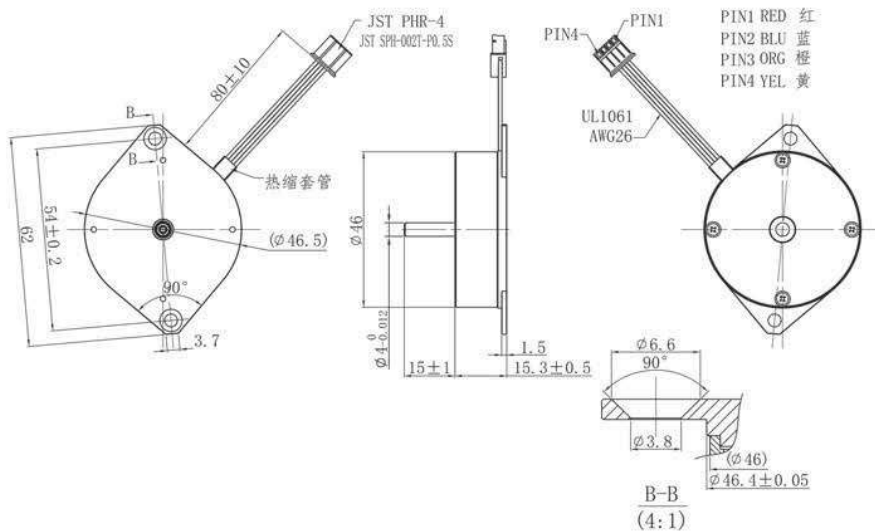


| 项目 (Item) | 说明 (Specifications) |
|--------------------------------|-------------------------------------|
| 步距角 (Step Angle) | 1.8° |
| 步距角精度 (Step Angle Accuracy) | ±5% (整步无负载, full step, no load) |
| 径向间隙 (Radial Play) | 0.02mm@450 g |
| 轴向间隙 (Axial Play) | 0.08mm@450 g |
| 最大径向负载 (Max. radial force) | 10N 距法兰 20mm (20mm from the flange) |
| 最大轴向负载 (Max. axial force) | 2N |
| 介电强度 (Dielectric Strength) | 600VAC / 1s |
| 绝缘电阻 (Insulation Resistance) | 100MΩ ,500VDC |
| 环境温度 (Ambient Temperature) | -20° C~+50° C |
| 绝缘等级 (Insulation Class) | Class B |

电性能 (Electrical specifications)

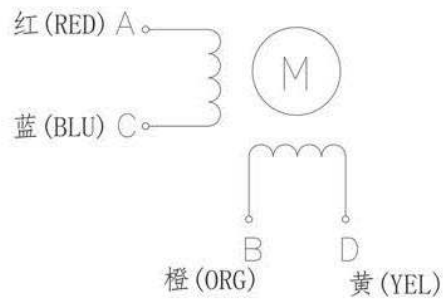
| 型号 (Model No.) | Current /Phase 每相 电流 | Resistance /Phase 每相 电阻 | Inductance /Phase 每相 电感 | Holding Torque 保持 转矩 | Detent Torque 定位 转矩 | # of Leads 引出线数 | Rotor Inertia 转动惯量 | Weight 重量 | Length 机身 长度 |
|-----------------------|----------------------------|-------------------------------|-------------------------------|----------------------------|---------------------------|--------------------|-----------------------|--------------|--------------------|
| Single shaft (单出轴) | A | Ω | mH | N.m | N.m | # | g-cm ² | kg | mm |
| FL46ST16-1004A-01 | 1.0 | 3.2 | 2.5 | 0.08 | 0.006 | 4 | 11 | 0.1 | 15.3 |

机械尺寸 (Dimension)

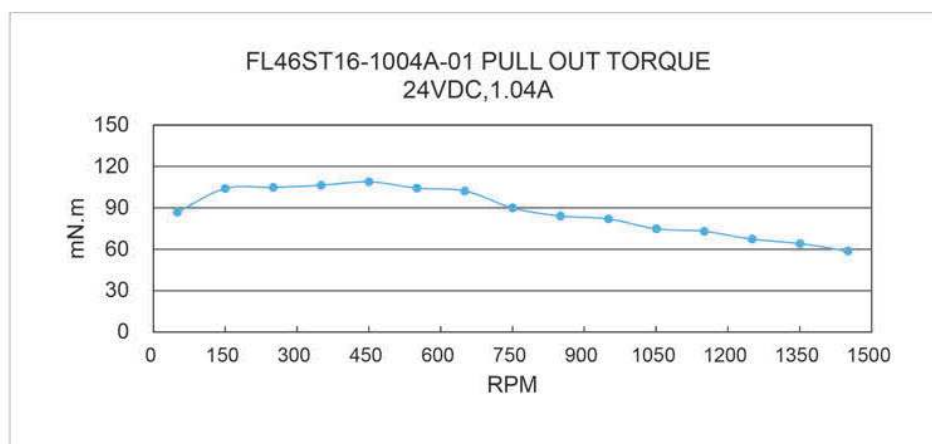


■ 接线图 (Wiring Diagram)

4 线 (leads)



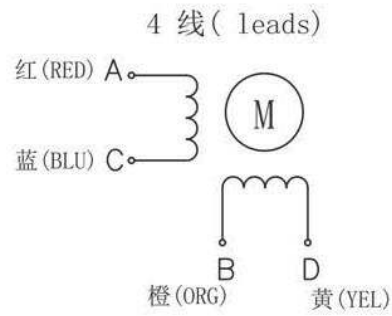
■ 矩频曲线 (Pull out torque curve)



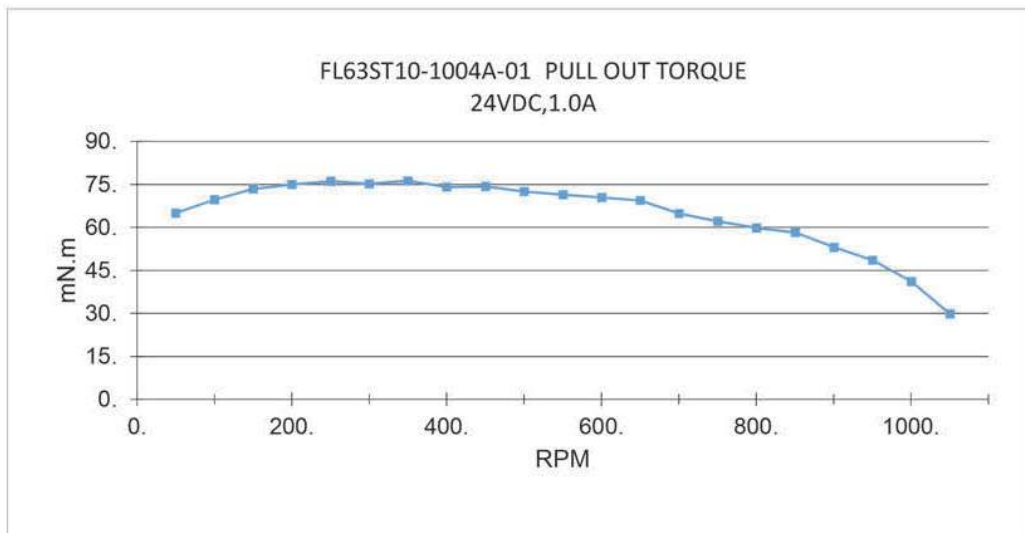
该款电机可以根据客户需求定制。

The motor can be designed & manufactured with customized request.

■ 接线图 (Wiring Diagram)



■ 矩频曲线 (Pull out torque curve)



该款电机可以根据客户需求定制。

The motor can be designed & manufactured with customized request.

1.8° 86mm

经济型混合式步进电机 Economical Hybrid Stepper Motor

特性概要 (General specification)

选件 Options

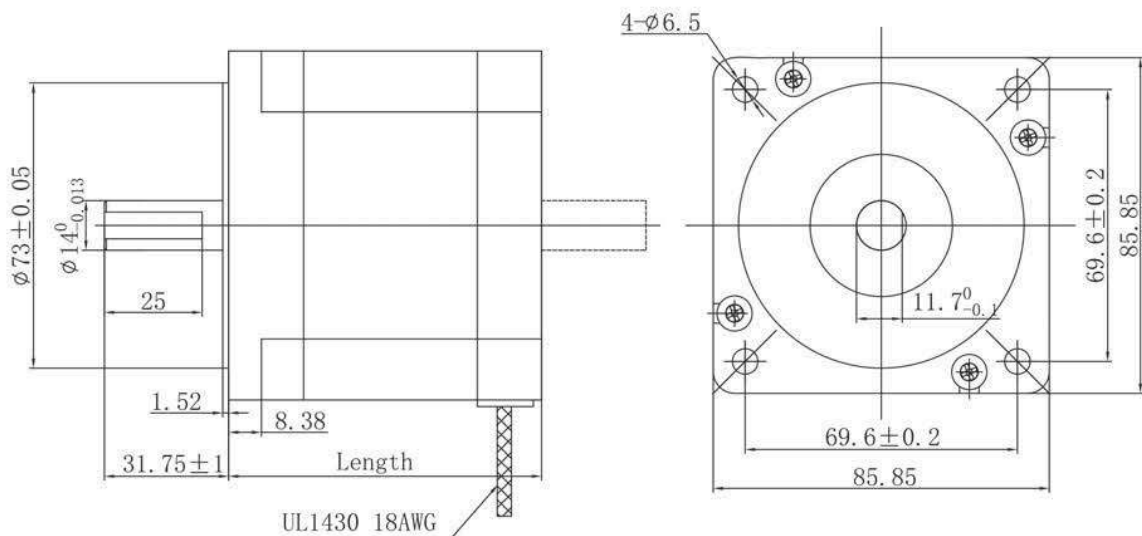


| 项目 (Item) | 说明 (Specifications) |
|--------------------------------|--|
| 步距角 (Step Angle) | 1.8° |
| 步距角精度 (Step Angle Accuracy) | ±5% (整步无负载, full step, no load) |
| 径向间隙 (Radial Play) | 0.02mm@450 g |
| 轴向间隙 (Axial Play) | 0.08mm@450 g |
| 最大径向负载 (Max. radial force) | 130N 距法兰 20mm 130N @ 20mm from the flange |
| 最大轴向负载 (Max. axial force) | 36N |
| 介电强度 (Dielectric Strength) | 1200VAC / 1s |
| 绝缘电阻 (Insulation Resistance) | 100MΩ ,500VDC |
| 环境温度 (Ambient Temperature) | -20· C~+50· C |
| 绝缘等级 (Insulation Class) | Class B |

电性能 (Electrical specifications)

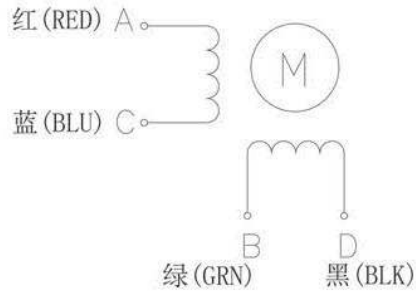
| 型号 (Model No.) | Current /Phase 每相 电流 | Resistance /Phase 每相 电阻 | Inductance /Phase 每相 电感 | Holding Torque 保持 转矩 | Detent Torque 定位 转矩 | # of Leads 引出 线数 | Rotor Inertia 转动 惯量 | Weight 重量 | Length 机身 长度 |
|-------------------------|----------------------------|-------------------------------|-------------------------------|----------------------------|---------------------------|------------------------|---------------------------|--------------|--------------------|
| Single shaft (单出轴) | A | Ω | mH | N.m | N.m | # | g·cm ² | kg | mm |
| FL86STH65-6004AC | 6 | 0.29 | 1.77 | 3.5 | 0.08 | 4 | 1000 | 1.7 | 63 |
| FL86STH80-6004AC | 6 | 0.39 | 3 | 4.5 | 0.12 | 4 | 1400 | 2.3 | 75 |
| FL86STH118-6004AC | 6 | 0.55 | 6 | 8.5 | 0.24 | 4 | 2700 | 3.8 | 112 |
| FL86STH156-6004AC | 6 | 0.73 | 8.68 | 12 | 0.36 | 4 | 4000 | 5.3 | 150 |

机械尺寸 (Dimension)

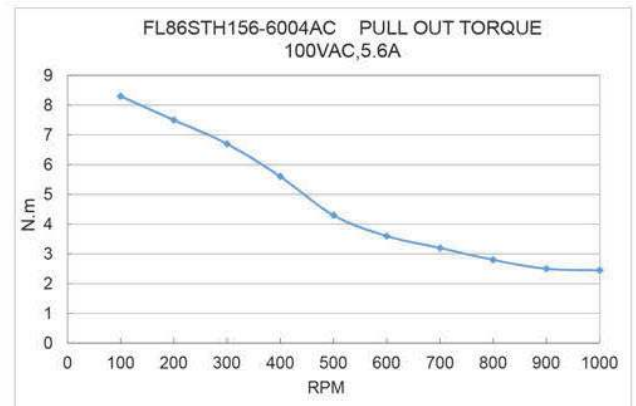
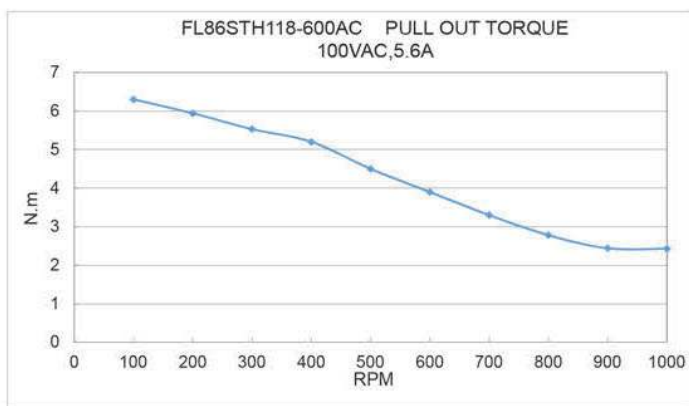
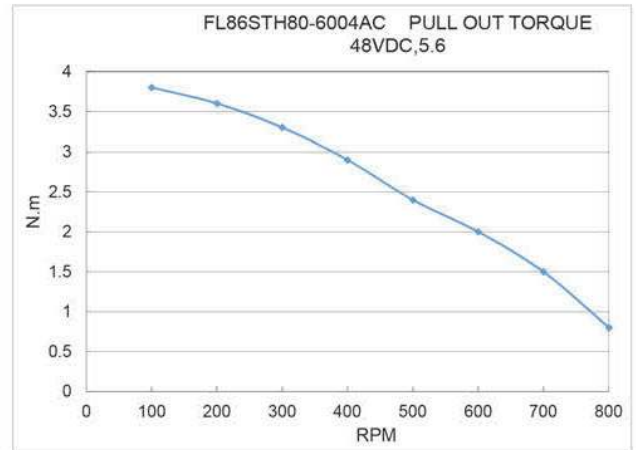
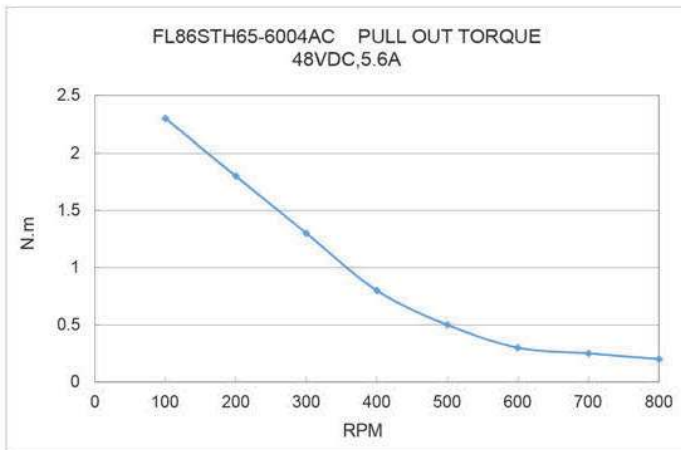


■ 接线图 (Wiring Diagram)

4 线 (leads)



■ 矩频曲线 (Pull out torque curve)



该款电机可以根据客户需求定制。

The motor can be designed & manufactured with customized request.

特性概要 (General specification)

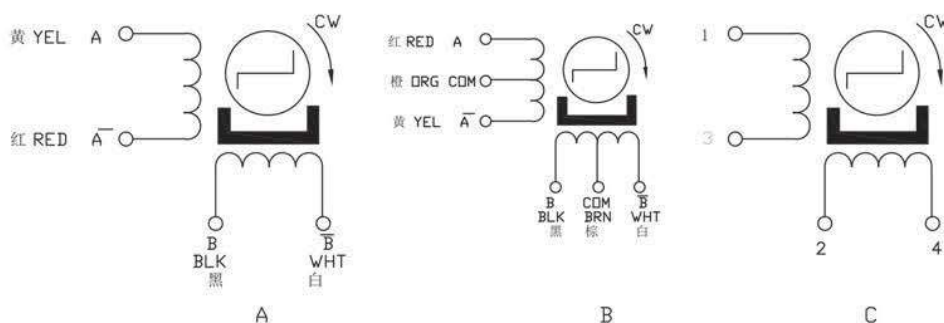


| Item | Specifications |
|----------------------------|--|
| 步距角精度 Step Angle Accuracy | ±8% (整步空载 full step, no load) |
| 电阻公差 Resistance Accuracy | ±10% |
| 电感公差 Inductance Accuracy | ±20% |
| 温升 Temperature Rise | 80°C Max.(额定电流, 2 相通电 rated current, 2 phase on) |
| 环境温度 Ambient Temperature | -20°C+50°C |
| 绝缘电阻 Insulation Resistance | 100MΩMin. ,500VDC |
| 介电强度 Dielectric Strength | 500VAC/1s |
| 径向间隙 Shaft Radial Play | 0.06Max. (450 g-load) |
| 轴向间隙 Shaft Axial Play | 0.08Max. (450 g-load) |

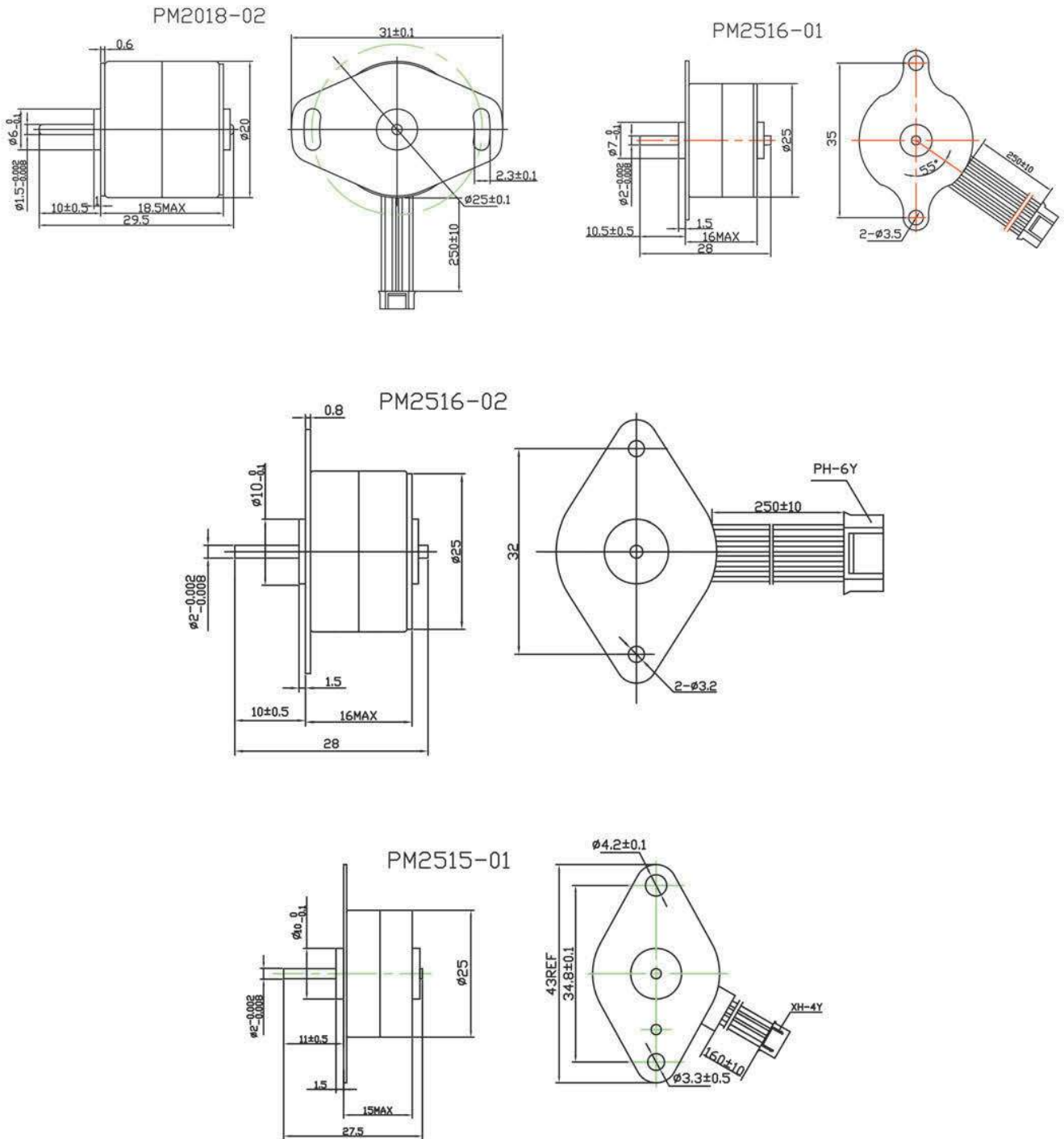
电性能 (Electrical specifications)

| 型号 Model | 步距角 Step Angle (Deg.) | 相数 No. of Phase | 电压 Voltage (V) | 相电流 Current /Phase (A) | 相电阻 Resistance /Phase (ohms) | 保持力矩 Holding Torque (g.cm) | 定位力矩 Detent Torque (g.cm) | 转子惯量 Rotor Inertia (g.cm ²) | 接线图 Wire Diagram |
|-------------|-----------------------------|-----------------------|----------------------|---------------------------------|---------------------------------------|-------------------------------------|------------------------------------|--|------------------------|
| PM1020L03 | 18 | 2 | 3.3 | 0.22 | 15 | 16.3 | 10 | <1 | A |
| PM1020L06-1 | 18 | 2 | 3.3 | 0.22 | 15 | 16.3 | 10 | | A |
| PM1512-01 | 18 | 2 | 12 | 0.04 | 300 | 40 | 10 | | A |
| PM1512-02 | 18 | 2 | 5 | 0.5 | 10 | 27 | 6 | | c |
| PM2018-01 | 18 | 4 | 12 | 0.24 | 50 | 80 | 25 | | B |
| PM2018-02 | 18 | 2 | 5 | 0.5 | 10 | 60 | 20 | | A |
| PM2516-01 | 15 | 4 | 9 | 0.45 | 20 | 140 | 75 | | B |
| PM2515-01 | 7.5 | 2 | 12 | 0.24 | 50 | 170 | 45 | | A |
| PM2515-02 | 7.5 | 4 | 12 | 0.25 | 50 | 160 | 35 | | B |

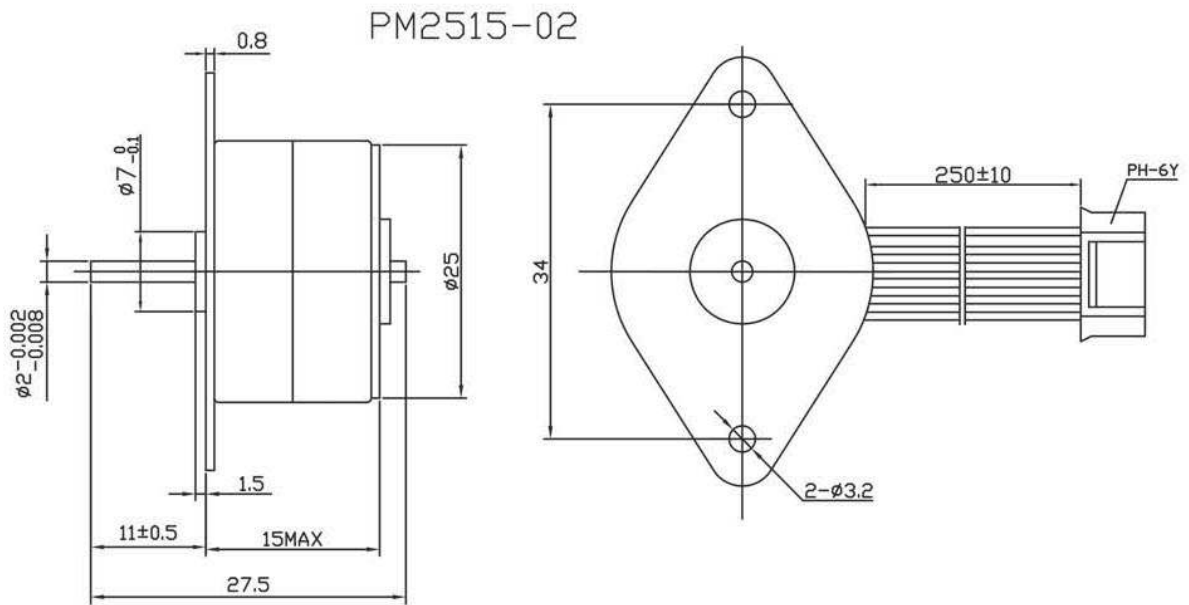
接线图 (WIRING DIAGRAM)



机械尺寸图 (Dimensions)



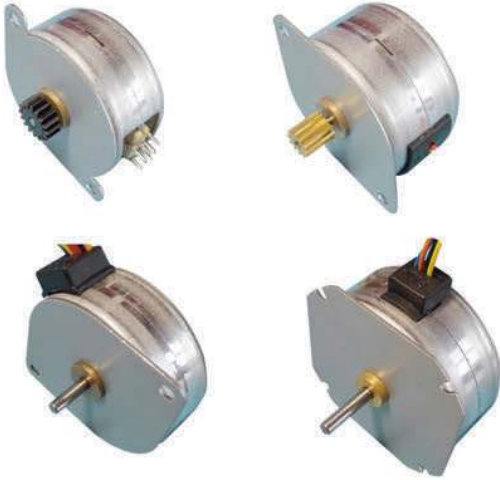
机械尺寸图 (Dimensions)



该款电机可以根据客户需求定制。

The motor can be designed & manufactured with customized request.

特性概要 (General specification)

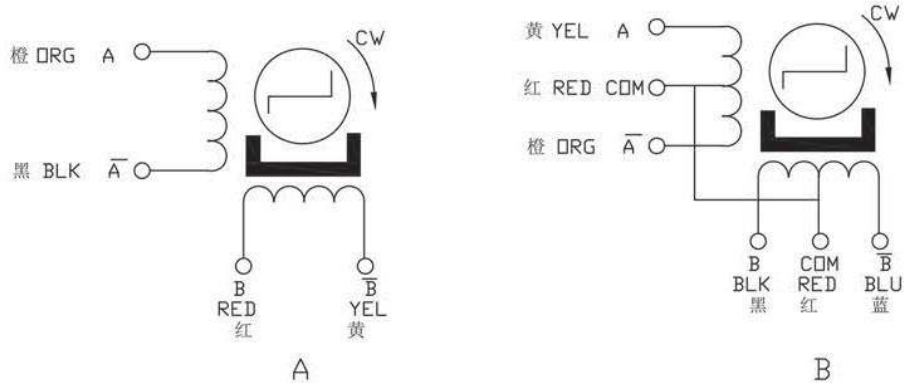


| Item | Specifications |
|----------------------------|---|
| 步距角精度 Step Angle Accuracy | ±8% (整步空载 full step, no load) |
| 电阻公差 Resistance Accuracy | ±10% |
| 电感公差 Inductance Accuracy | ±20% |
| 温升 Temperature Rise | 80- C Max.(额定电流, 2 相通电 rated current, 2 phase on) |
| 环境温度 Ambient Temperature | -20°C+50°C |
| 绝缘电阻 Insulation Resistance | 100MΩMin. ,500VDC |
| 介电强度 Dielectric Strength | 500VAC/1s |
| 径向间隙 Shaft Radial Play | 0.06Max. (450 g-load) |
| 轴向间隙 Shaft Axial Play | 0.08Max. (450 g-load) |

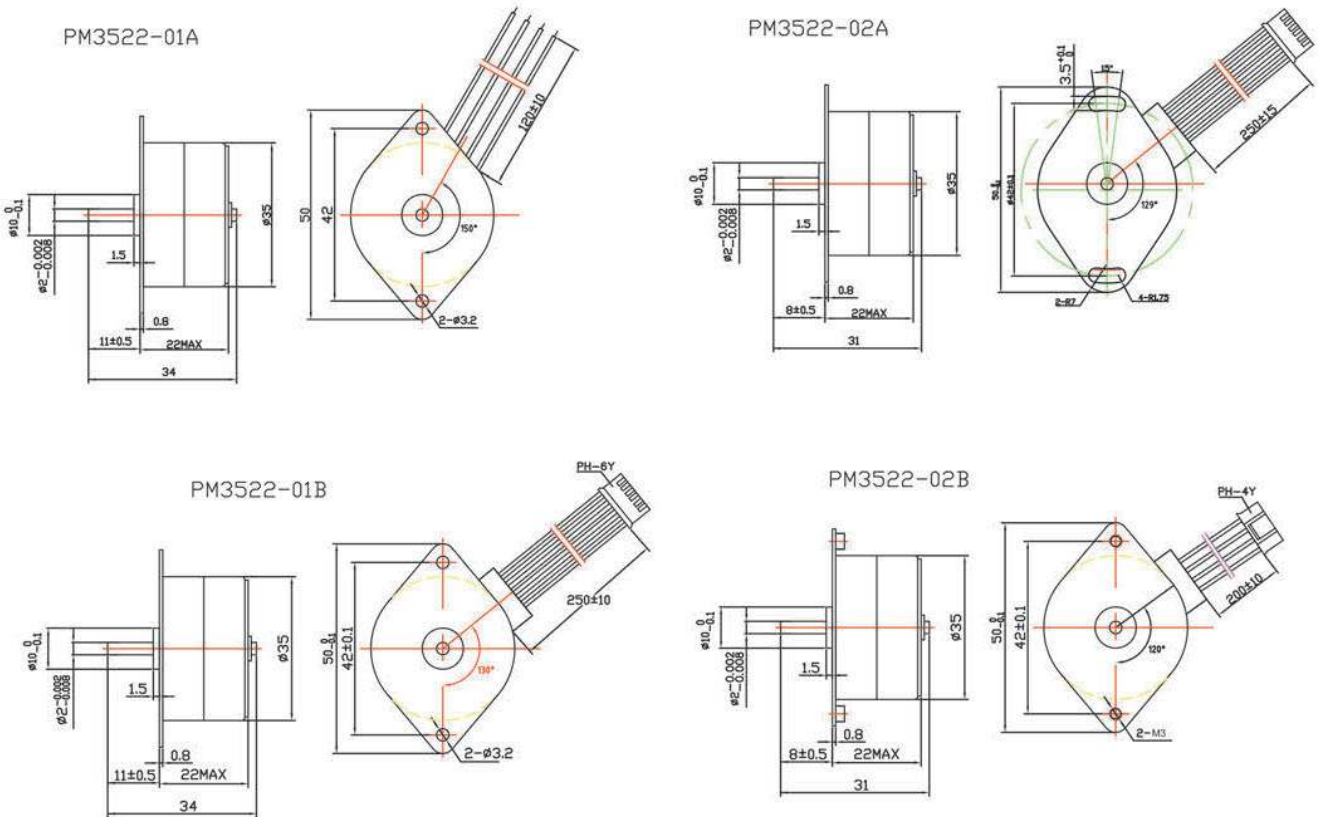
电性能 (Electrical specifications)

| 型号 Model | 步距角 Step Angle (Deg.) | 相数 No. of Phase | 电压 Voltage (V) | 相电流 Current /Phase (A) | 相电阻 Resistance /Phase (ohms) | 保持力矩 Holding Torque (g.cm) | 定位力矩 Detent Torque (g.cm) | 转子惯量 Rotor Inertia (g.cm ²) | 接线图 Wire Diagram |
|-------------|-----------------------------|-----------------------|----------------------|---------------------------------|---------------------------------------|-------------------------------------|------------------------------------|--|------------------------|
| PM3522-01A | 15 | 2 | 5 | 0.46 | 11 | 335 | 125 | 7.5 | A |
| PM3522-02A | 15 | 4 | 5 | 0.46 | 11 | 300 | | | B |
| PM3522-01B | 7.5 | 4 | 5 | 0.862 | 5.8 | 550 | | | A |
| PM3522-02B | 7.5 | 2 | 5 | 0.5 | 10 | | | | B |
| PM3522-03B | 7.5 | 2 | 12 | 0.2 | 608 | | | | |
| PM3516-01 | 7.5 | 4 | 12 | 0.255 | 47 | 300 | 65 | | B |
| PM3516-02 | 7.5 | 2 | 5 | 0.42 | 12 | 350 | 75 | | A |
| PM4222-01A | 7.5 | 4 | 12 | 0.8 | 15 | 800 | 210 | 9.6 | B |
| PM4222-02A | 7.5 | 2 | 4.2 | 0.6 | 7 | 800 | 210 | 7.5 | A |
| PM4222-01B | 7.5 | 2 | 12 | 0.13 | 95 | 550 | 100 | | |
| PM4222-02B | 7.5 | 4 | 5 | 0.81 | 6.2 | 600 | 110 | | B |
| PM4217-01 | 7.5 | 4 | 12 | 0.24 | 50 | 600 | 90 | 9.6 | |
| PM4217-02 | 7.5 | 2 | 5 | 0.59 | 8.6 | 500 | 100 | | A |
| PM4930-01 | 7.5 | 2 | 5 | 0.9 | 5.5 | 1700 | 350 | <14.5 | |
| PM5725-01 | 7.5 | 4 | 12 | 0.6 | 21 | 1500 | 425 | <12.5 | B |
| PM5725-02 | 7.5 | 2 | 5.6 | 0.625 | 9 | 1200 | | | A |

■ 接线图 (WIRING DIAGRAM)



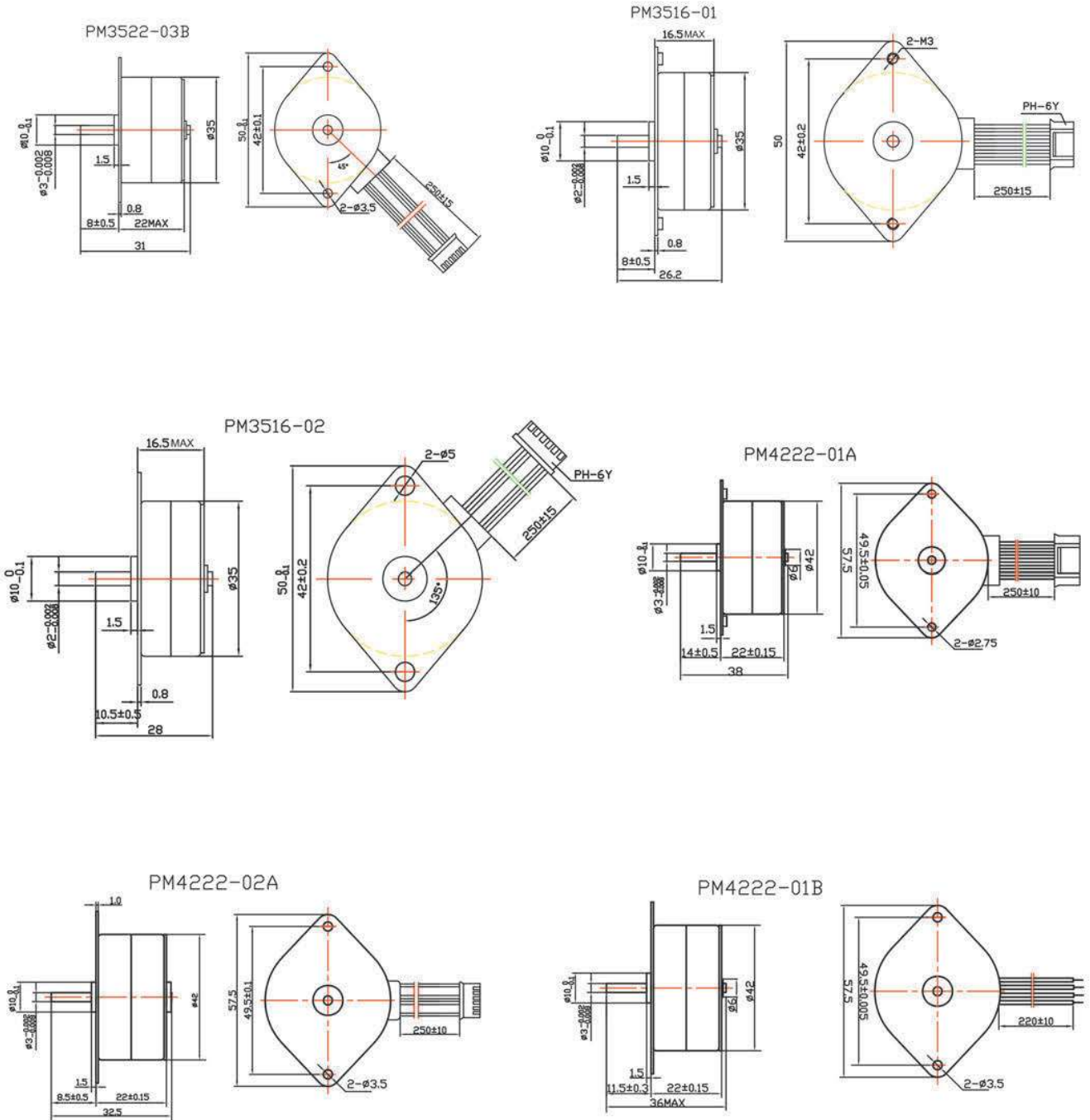
■ 机械尺寸图 (Dimensions)



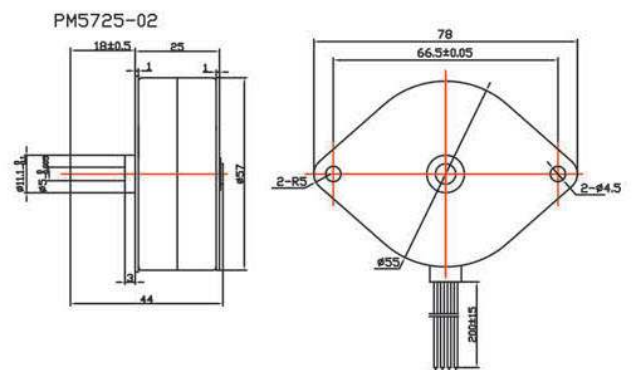
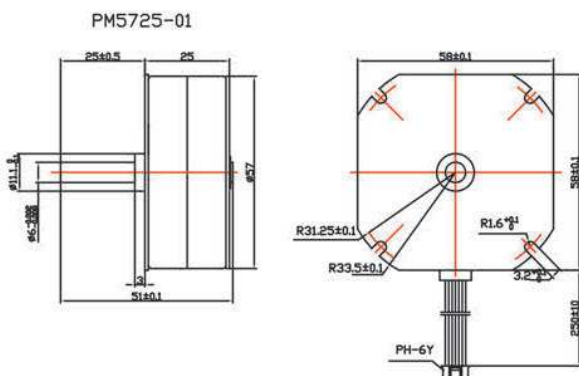
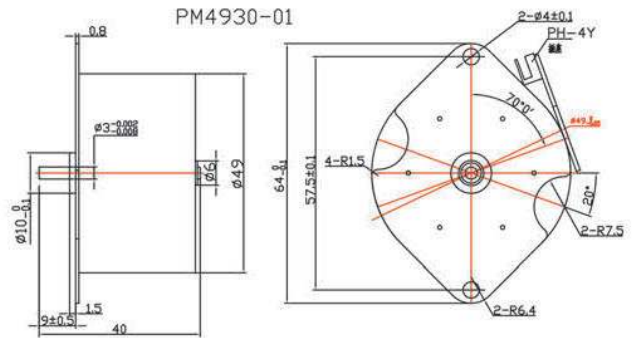
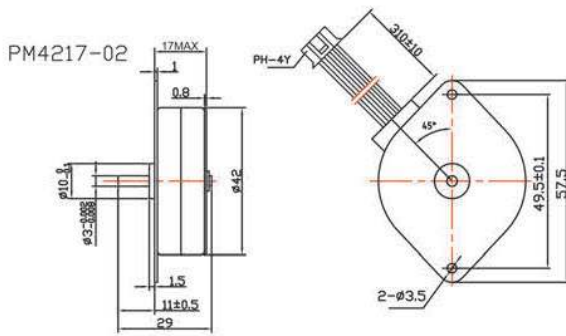
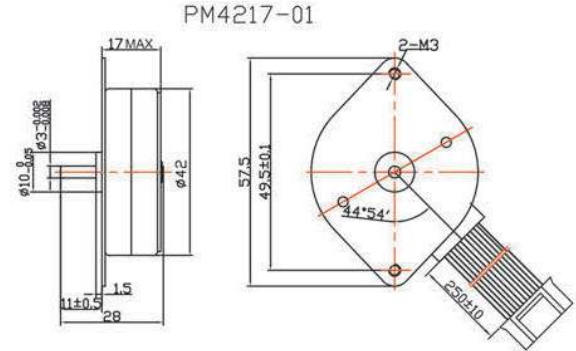
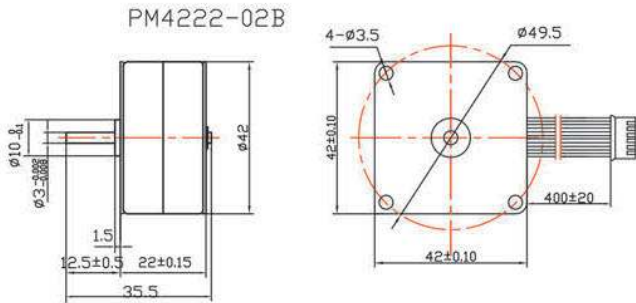
该款电机可以根据客户需求定制。

The motor can be designed & manufactured with customized request.

机械尺寸图 (Dimensions)



机械尺寸图 (Dimensions)



该款电机可以根据客户需求定制。

The motor can be designed & manufactured with customized request.

特性概要 (General specification)

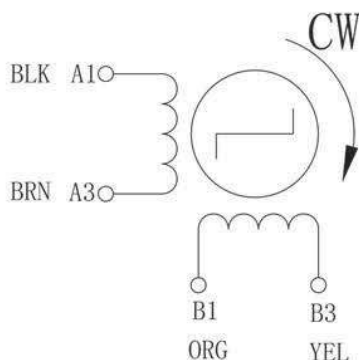


| Item | Specifications |
|----------------------------|---|
| 步距角精度 Step Angle Accuracy | ±7% (整步, 空载 full step, no load) |
| 电阻公差 Resistance Accuracy | ±10% |
| 电感公差 Inductance Accuracy | ±20% |
| 温升 Temperature Rise | 65K Max. ambient temperature 40° C 65K 环境温度 40°C |
| 环境温度 Ambient Temperature | -10° C~+50° C |
| 绝缘电阻 Insulation Resistance | 100MΩMin. ,500VDC |
| 绝缘等级 Insulation Class | Class E |
| 介电强度 Dielectric Strength | 650VAC for one second, leakage current 1mA 650VAC 一秒, 漏电电流 1mA |

电性能 (Electrical specifications)

| 型号 Model | 步距角 Step Angle (Deg.) | 相数 No. of Phase | 电压 Voltage (V) | 相电流 Current /Phase (A) | 相电阻 Resistance /Phase (ohms) | 相电感 Inductance /Phase (mH) | 牵入力矩 Pull-in Torque (g.cm) 5VDC | 最大牵入频率 Max. Pull-In Rate (pps) No Load, 5VDC | 保持 力矩 Holding Torque (g.cm) | 减速比 Ratio | 重量 Weight (g) |
|-------------|-----------------------------|-----------------------|----------------------|---------------------------------|---------------------------------------|-------------------------------------|---|--|---|--------------|---------------------|
| PMG1550-01 | 18/50 | 2 | 5 | 0.5 | 10 | 2.3 | 360 @200pps | 1280 | 1350 | 1:50 | 12.2 |
| PMG1550-03 | 18/50 | 2 | 5 | 0.5 | 10 | 2.8 | 140 @200pps | 1150 | 2000 | 1:50 | 13 |
| PMG15102-01 | 18/102.5 | 2 | 5 | 0.5 | 10 | 2.3 | 350 @200pps | 1000 | 2000 | 1:102.5 | 12.2 |

接线图 (WIRING DIAGRAM)



| Pin No. | STEP | | | | |
|------------|-------|-------|-------|-------|---------------|
| | 黑 BLK | 棕 BRN | 橙 ORG | 黄 YEL | |
| 1 | - | + | + | - | ↑ CCW ↓ CW |
| 2 | - | + | - | + | |
| 3 | + | - | - | + | |
| 4 | + | - | + | - | |

特性概要 (General specification)

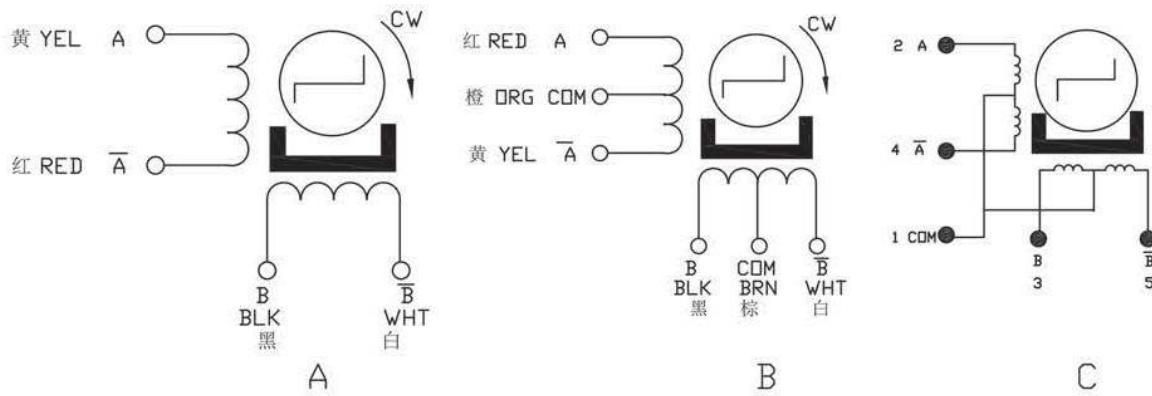


| Item | Specifications |
|----------------------------|---|
| 步距角精度 Step Angle Accuracy | ±7% (整步, 空载 full step, no load) |
| 电阻公差 Resistance Accuracy | ±10% |
| 电感公差 Inductance Accuracy | ±20% |
| 温升 Temperature Rise | 80K Max. ambient temperature 40· C 80K 环境温度 40°C |
| 环境温度 Ambient Temperature | -10· C~+50· C |
| 绝缘电阻 Insulation Resistance | 100MΩMin. ,500VDC |
| 绝缘等级 Insulation Class | Class E |
| 介电强度 Dielectric Strength | 650VAC for one second, leakage current 1mA 650VAC 一秒, 漏电电流 1mA |

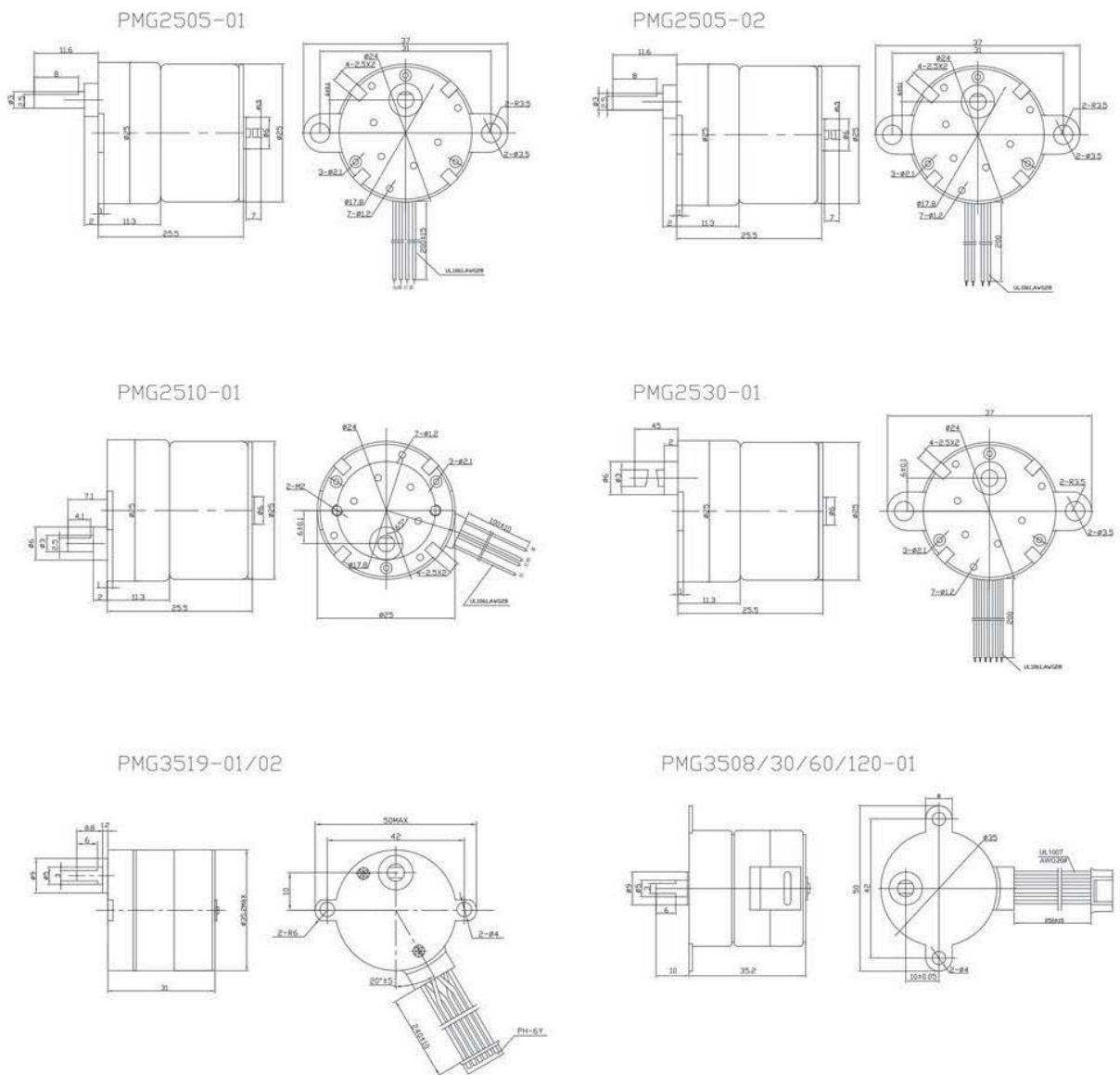
电性能 (Electrical specifications)

| 型号 Model | 步距角 Step Angle (Deg.) | 相数 No. of Phase | 电压 Voltage (V) | 相电流 Current /Phase (A) | 相电阻 Resistance /Phase (ohms) | 空载牵入频率 No-load Pull-in Frequency (pps) | 牵入扭矩 Pull-in Torque (g.cm) | 保持力矩 Holding Torque (g.cm) | 定位力矩 Detent Torque (g.cm) | 减速比 Ratio | 接线图 Wire Diagram |
|-------------|-----------------------------|--------------------|----------------------|---------------------------------|---------------------------------------|--|-------------------------------------|-------------------------------------|------------------------------------|--------------|------------------------|
| PMG2505-01 | 7.5/5 | 2 | 2.6 | 0.52 | 5 | 450 | 75 at 200pps | 450 | <150 | 1:5 | A |
| PMG2505-02 | 15/5 | 2 | 3.5 | 0.365 | 9.6 | 420 | 100 at 100pps | 500 | <150 | 1:5 | |
| PMG2510-01 | 7.5/10 | 2 | 2.8 | 0.467 | 6 | 550 | 200 at 200pps | 1400 | <500 | 1:10 | |
| PMG2530-01 | 7.5/30 | 4 | 13.3 | 0.11 | 120 | 680 | 750 at 100pps | 4000 | <1400 | 1:30 | B |
| PMG3519-01 | 7.5/19 | 4 | 24 | 0.218 | 110 | 360 | 2280 at 200pps | 4500 | <2280 | 1:19 | C |
| PMG3519-02 | 7.5/19 | 4 | 12 | 0.4 | 30 | 360 | 1900 at 200pps | 4000 | <2600 | 1:19 | |
| PMG3508-01 | 7.5/8.4 | 4 | 12 | 0.4 | 30 | 500 | 840 at 400pps | 1150 | <500 | 1:8.4 | |
| PMG3530-01 | 7.5/30 | 4 | 12 | 0.4 | 30 | 500 | 3000 at 400pps | 5000 | <1500 | 1:30 | |
| PMG3560-01 | 7.5/60 | 4 | 12 | 0.4 | 30 | 420 | 6000 at 400pps | 8000 | <3000 | 1:60 | |
| PMG35120-01 | 7.5/120 | 4 | 12 | 0.4 | 30 | 400 | 8000 at 300pps | 10000 | <6000 | 1:120 | |

接线图 (WIRING DIAGRAM)



机械尺寸图 (Dimensions)



该款电机可以根据客户需求定制。

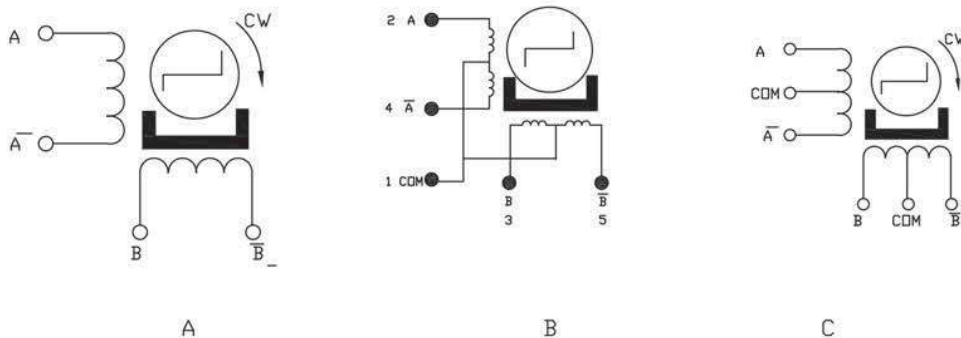
The motor can be designed & manufactured with customized request.



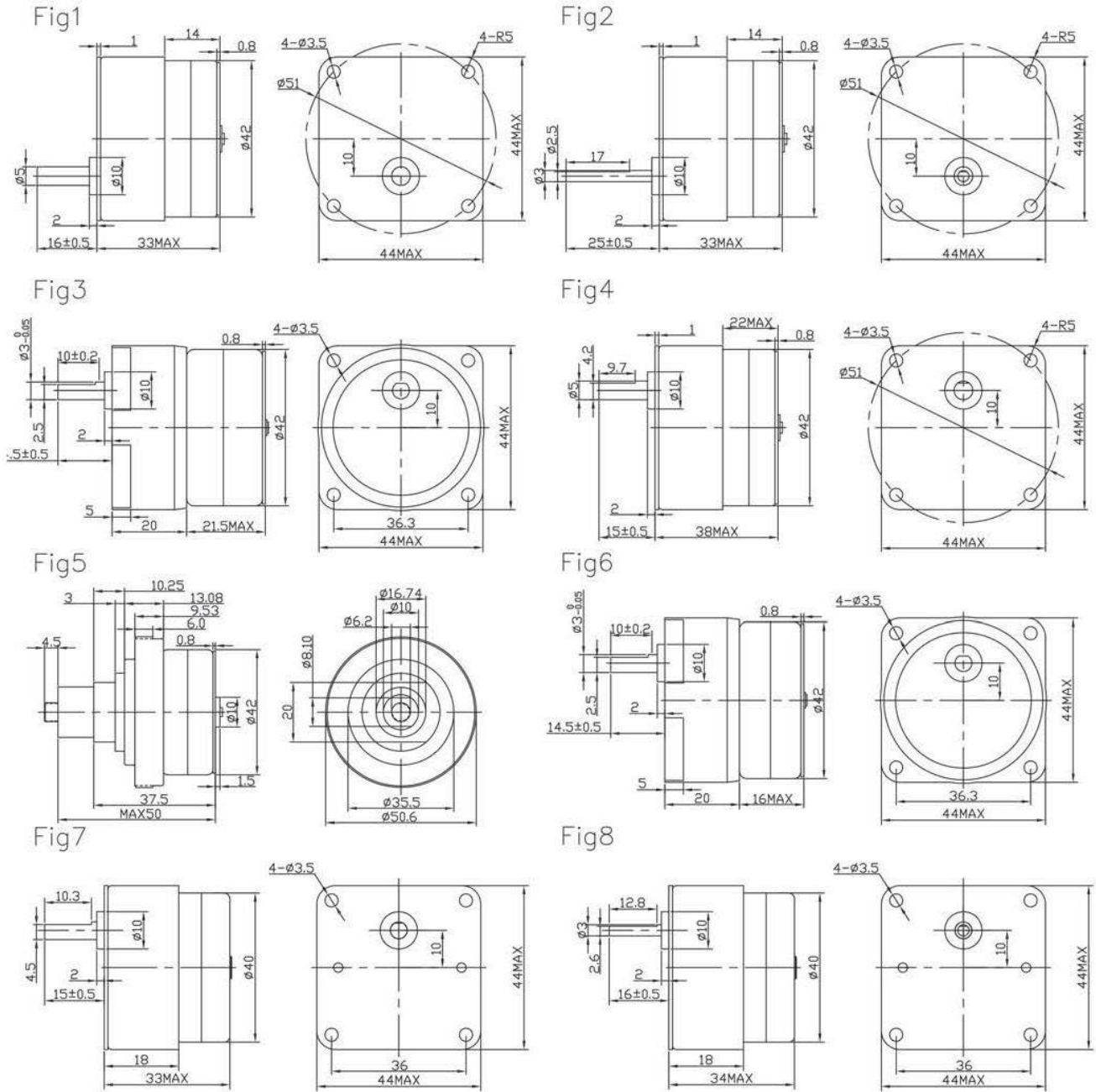
电性能 (Electrical specifications)

| 型号 Model | 步距角 Step Angle (Deg.) | 相数 No. of Phase | 电压 Voltage (V) | 电流 Current (A) | 电阻 Resistance(Ω) | 电感 Inductance(mH) | 减速比 Ratio | 空载启动频率 No-load Starting Frequency (pps) | 牵出力矩 Pull-out Torque (g.cm) | 引出线数 Leads | 接线图 Wdg | 外形图 Fig |
|----------------|--------------------------|--------------------|-------------------|-------------------|---------------------|----------------------|--------------|--|--------------------------------|---------------|------------|------------|
| 42BYHJ01 | 7.5 | 4 | 12 | 0.44 | 27 | 15.1 | 1/24 | 380 | 1600 | UL 1007 26# | b | 1 |
| 42BYHJ3-01 | 7.5 | 2 | 12 | 0.22 | 54 | 58 | 1/3 | 270 | 800 | UL 1007 26# | a | 2 |
| 42BYHJ05-01 | 7.5 | 4 | 12 | 0.5 | 10.7 | 5.2 | 1/5 | 450 | 1300 | UL 1007 26# | c | 3 |
| 42BYHJ7-01 | 7.5 | 2 | 12 | 0.22 | 54 | 57.6 | 1/7 | 300 | 1000 | UL 1007 26# | a | 2 |
| 42BYHJ10-06 | 7.5 | 2 | 24 | 0.133 | 180 | 260 | 1/10 | 260 | 1600 | UL 1007 26# | a | 4 |
| 42BYHJ12.25-01 | 3.6 | 2 | 12 | 0.16 | 75 | 75 | 1/12.25 | 350 | 90N(push) | AF 200 24# | a | 5 |
| 42BYHJ15-01 | 7.5 | 4 | 12 | 0.18 | 66 | 31.6 | 1/15 | 270 | 1500 | UL 1061 28# | c | 6 |
| 42BYHJ20-01 | 15 | 4 | 12 | 0.18 | 66 | 41.6 | 1/20 | 240 | 1200 | UL 1095 28# | c | 7 |
| 42BYHJ25-02 | 7.5 | 4 | 12 | 0.44 | 27 | 63 | 1/24 | 380 | 1660 | UL 1007 26# | b | 1 |
| 42BYHJ50-08 | 15 | 4 | 24 | 0.08 | 300 | 175 | 1/50 | 210 | 2100 | UL 1007 24# | c | 8 |

接线图 (WIRING DIAGRAM)



机械尺寸图 (Dimensions)



该款电机可以根据客户需求定制。

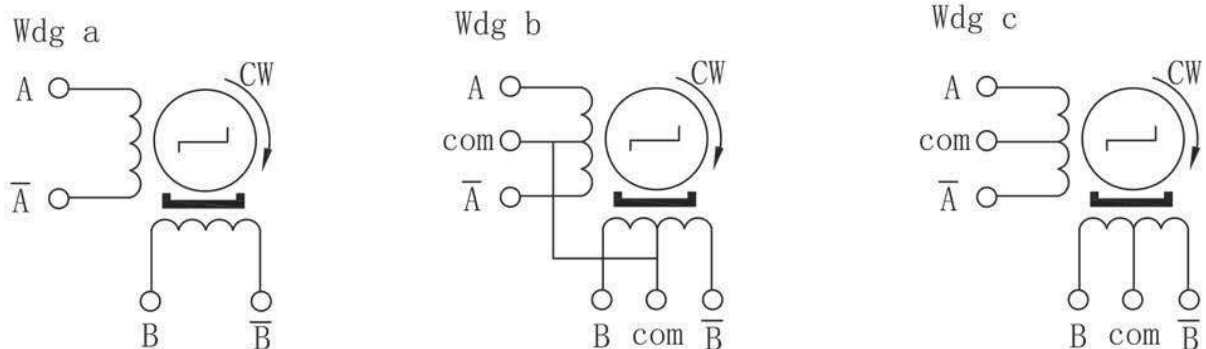
The motor can be designed & manufactured with customized request.



电性能 (Electrical specifications)

| 型号 Model | 步距角 Step Angle (Deg.) | 相数 No. of Phase | 电压 Voltage (V) | 电流 Current (A) | 电阻 Resistance (Ω) | 保持力矩 Holding Torque (g.cm) | 牵出力矩/ 推力 Pull-in Torque (g.cm) | 定位力矩 Detent Torque (g.cm) | 引出线型号 Leads | 接线图 Wdg | 外形图 Fig |
|-------------|--------------------------|--------------------|-------------------|-------------------|----------------------|-------------------------------|-----------------------------------|------------------------------|----------------|------------|------------|
| 15BYT-01 | 18 | 2 | 12 | 0.07 | 170 | 25 | 5 (at 500Hz) | 10 | UL 1571 30# | a | 1 |
| 20BYT-01 | 18 | 2 | 5 | 0.5 | 10 | 60 | 10 (at 200Hz) | 20 | UL 1068 28# | a.c | 2 |
| 25BYT48-01 | 7.5 | 4 | 5 | 0.5 | 10 | 120 | 40 (at 100Hz) | 45 | UL 1061 28# | a.b | 3 |
| 25BYT24-01 | 15 | 2 | 9 | 0.45 | 20 | 135 | 20 (at 200Hz) | 60 | UL 1061 28# | a.b | 3 |
| 35BYT48L-01 | 7.5 | 4 | 12 | 0.22 | 60 | 520 | 50 (at 200Hz) | 125 | UL 1007 26# | b | 4 |
| 35BYT24L-01 | 15 | 4 | 24 | 0.28 | 85 | 450 | 110 (at 100Hz) | 125 | UL 1007 26# | b | 4 |
| 35BYT48S-01 | 7.5 | 4 | 5 | 0.71 | 7 | 450 | 60 (at 200 Hz) | 75 | UL 1007 26# | b | 5 |
| 42BYT48L-01 | 7.5 | 4 | 12 | 0.18 | 70 | 500 | 60 (at 200 Hz) | 125 | UL 1007 26# | b | 6 |
| 42BYT48S-01 | 7.5 | 4 | 12 | 0.3 | 40 | 550 | 70 (at 200 Hz) | 100 | UL 1007 26# | b | 7 |
| 57BYT48-01 | 7.5 | 4 | 12 | 0.6 | 21 | 1500 | 320 (at 100 Hz) | 425 | UL 1007 26# | a.c | 8 |

接线图 (WIRING DIAGRAM)



机械尺寸图 (Dimensions)

Fig1

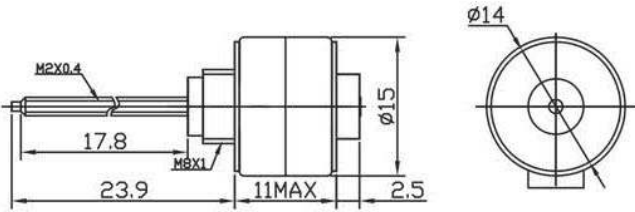


Fig2

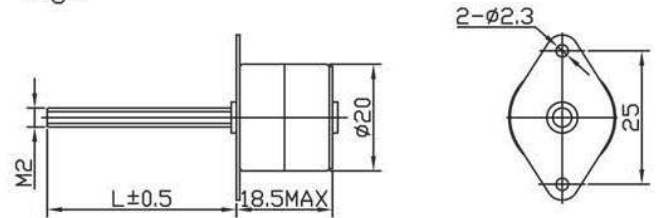


Fig3

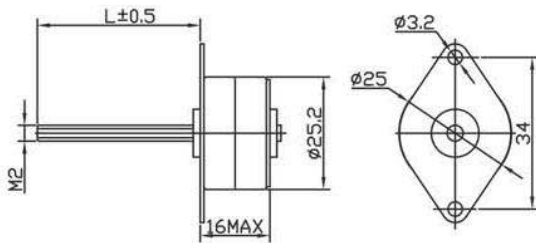


Fig4

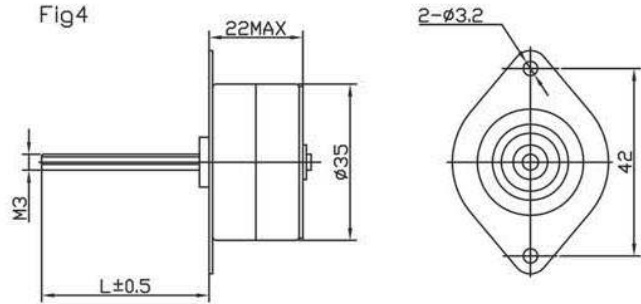


Fig5

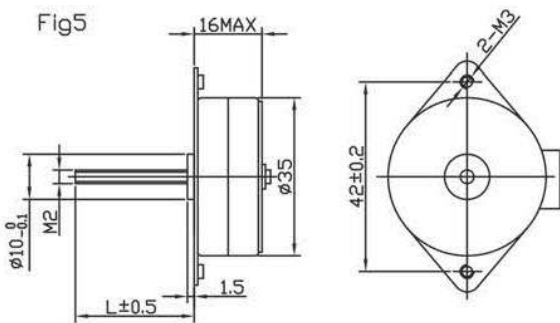


Fig6

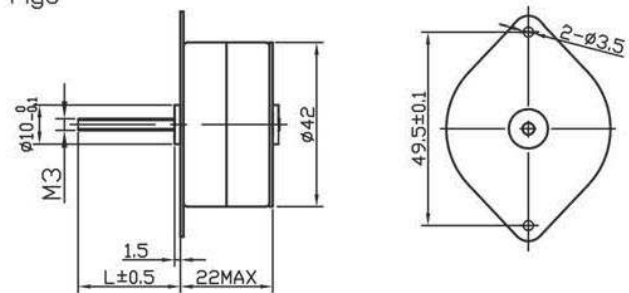


Fig7

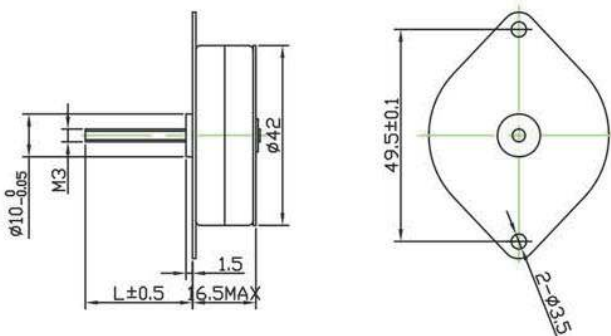
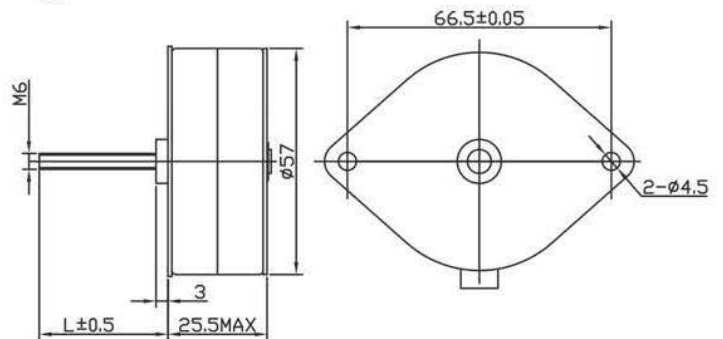


Fig8



该款电机可以根据客户需求定制。

The motor can be designed & manufactured with customized request.

15/25BYZ

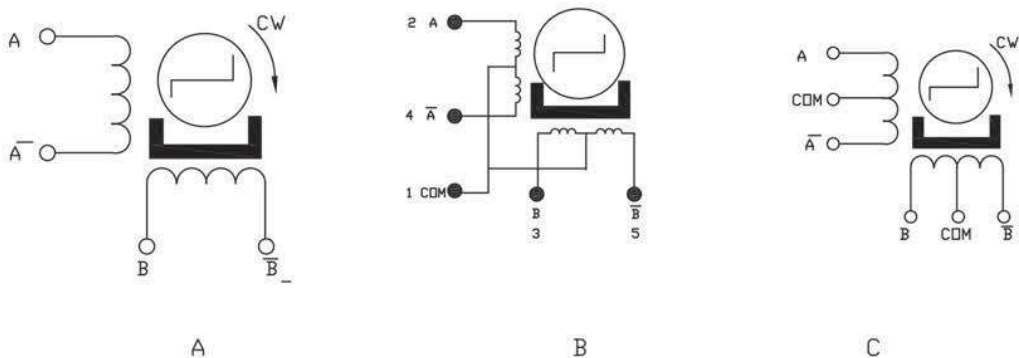
永磁式直线步进电机 (固定轴式 / 贯通轴式) Linear PM Steper Motor (Captive/Non-captive)



电性能 (Electrical specifications)

| 规格型号 Model | 步距角 Step Angle (Deg.) | 相数 No. of Phase | 电压 Voltage (V) | 电流 Current (A) | 电阻 Resistance (Ω) | 电感 Inductance (mH) | 步长 Step Avail (mm) | 推拉力 Push/Pull Torque (N) | 行程 Journey (mm) | 引出线 型号 Leads | 接线图 Wdg | 外形图 Fig |
|---------------|--------------------------|--------------------|-------------------|-------------------|-------------------------------|-----------------------|-----------------------|-----------------------------|--------------------|--------------------|------------|------------|
| 15BYZ-13 | 18 | 2 | 24 | 0.1 | 30 | 6 | 0.02 | 4 | ≥ 12 | UL1061 30# | a | 1 |
| 25BYZ-A04 | 15 | 4 | 5 | 0.23 | 22 | 4.3 | 0.0417 | 7 | ≥ 12 | UL1061 28# | c | 2 |
| 25BYZ-A01(09) | 15 | 2 | 12 | 0.23 | 53 | 23.5 | 0.0417 | 25 | ≥ 12 | AF-200 28# | a | 3 |
| 25BYZ-A022 | 15 | 4 | 2 | 0.23 | 53 | 9 | 0.0417 | 15 | ≥ 22 | UL1061 28# | c | 4 |
| 25BYZ-A035B | 7.5 | 2 | 12 | 0.14 | 84 | 48 | 0.0127 | 33 | ≥ 14 | UL1061 28# | a | 5 |
| 25BYZ-B01 | 15 | 2 | 12 | 0.23 | 53 | 23.5 | 0.0417 | 20 | ≥ 40 | UL1061 28# | a | 6 |
| 25BYZ-B058A | 15 | 2 | 5 | 0.625 | 8 | 4.7 | 0.0508 | 20 | ≥ 35 | UL1061 26# | a | 7 |
| 25BYZ-C06 | 7.5 | 2 | 5 | 0.34 | 14.7 | 7.5 | 0.0254 | 30 | ≥ 13 | UL1061 26# | a | 8 |
| 25BYZ-C07 | 7.5 | 2 | 5 | 0.34 | 14.7 | 7.5 | 0.0254 | 30 | ≥ 13 | UL1061 26# | a | 9 |
| 25BYZ-C017 | 7.5 | 2 | 7 | 0.15 | 47 | 17.8 | 0.0254 | 9.8 | ≥ 13 | UL1095 28# | a | 10 |

接线图 (WIRING DIAGRAM)



机械尺寸图 (Dimensions)

Fig1

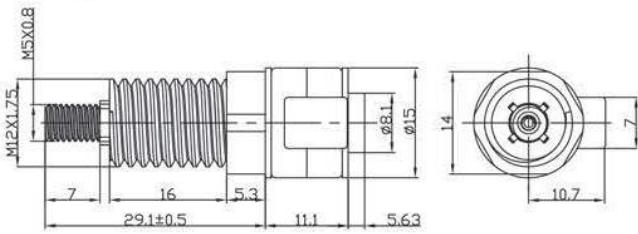


Fig2

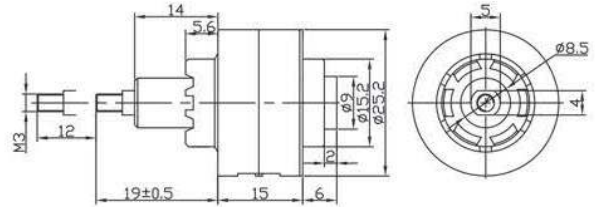


Fig3

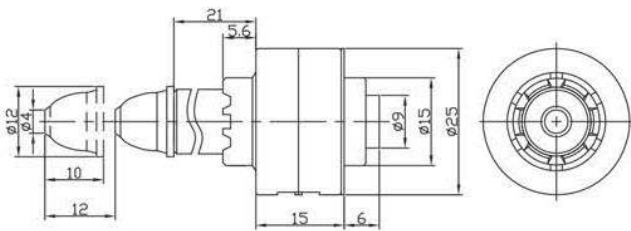


Fig4

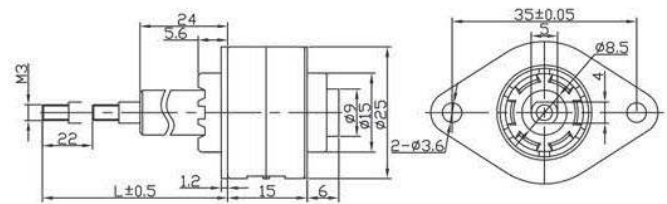


Fig5

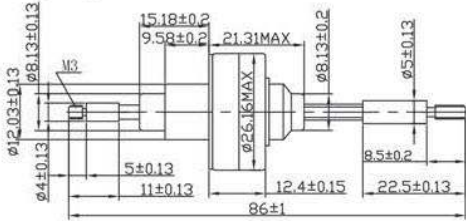


Fig6

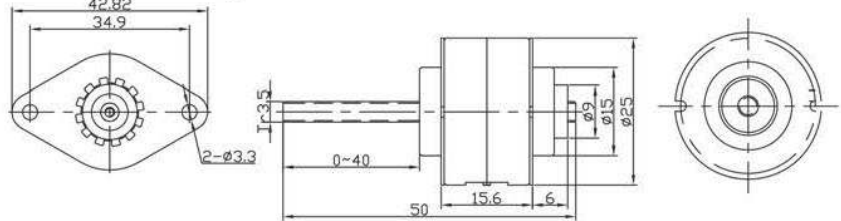


Fig7

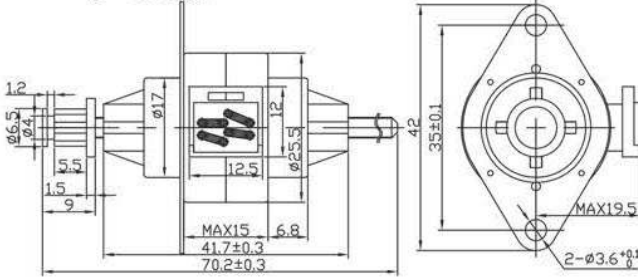


Fig8

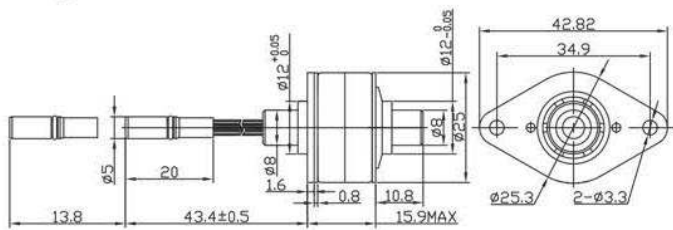


Fig9

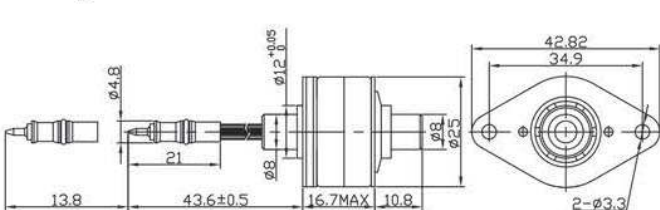
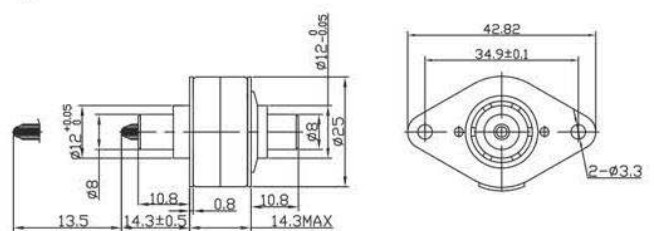


Fig10



该款电机可以根据客户需求定制。

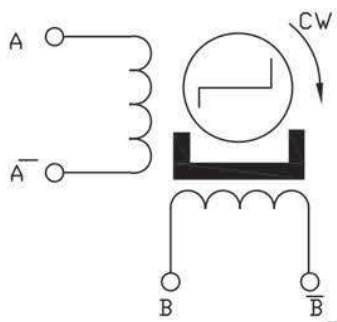
The motor can be designed & manufactured with customized request.



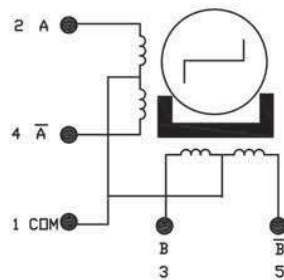
电性能 (Electrical specifications)

| 型号 Model | 步距角 Step Angle (Deg.) | 相数 No. of Phase | 电压 Voltage(V) | 电流 Current (A) | 电阻 Resistance (Ω) | 电感 Inductance (mH) | 步长 Step Avail (mm) | 推拉力 Push/Pull Torque (N) | 行程 Journey (mm) | 引出线 Leads | 接线图 Wdg | 外形图 Fig |
|-------------|--------------------------|--------------------|------------------|-------------------|----------------------|-----------------------|-----------------------|-----------------------------|--------------------|---------------|------------|------------|
| 28BYZ-09 | 15 | 2 | 5 | 0.46 | 10.8 | / | 0.0417 | 40 | ≧87 | / | a | 1 |
| 28BYZ-A01 | 15 | 2 | 24 | 0.16 | 150 | 85 | 0.0417 | 65 | ≧12 | / | a | 2 |
| 35BY16Z | 7.5 | 2 | 9 | 0.5(constant) | 7.7 | 8.1 | 0.0167 | 35 | ≧14 | UL1332 24# | a | 3 |
| 35YC25Z-A02 | 7.5 | 2 | 12 | 0.6(constant) | 11 | 8.2 | 0.0254 | 100 | ≧5.3 | UL1061 28# | a | 4 |
| 35BYZ-B01F | 7.5 | 4 | 5 | 0.46 | 11 | / | 0.0254 | 40 | ≧75 | UL1061 28# | c | 5 |
| 57BYZ-B022 | 7.5 | 4 | 12 | 0.67 | 18 | 18.7 | 0.0254 | 90 | ≧130 | UL1007 26# | c | 6 |

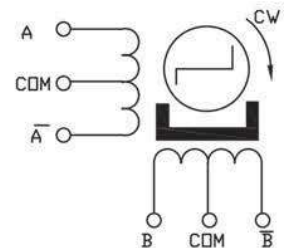
接线图 (WIRING DIAGRAM)



A



B



C



www.purelogic.ru

8 800 555-63-74 бесплатные звонки по РФ

Контакты

+7 (495) 505-63-74 Москва

+7 (473) 204-51-56 Воронеж

www.purelogic.ru

394033, Россия, г. Воронеж,
Ленинский пр-т, 160, офис 149

Пн-Чт: 8:00–17:00

Пт: 8:00–16:00

Перерыв: 12:30–13:30

info@purelogic.ru