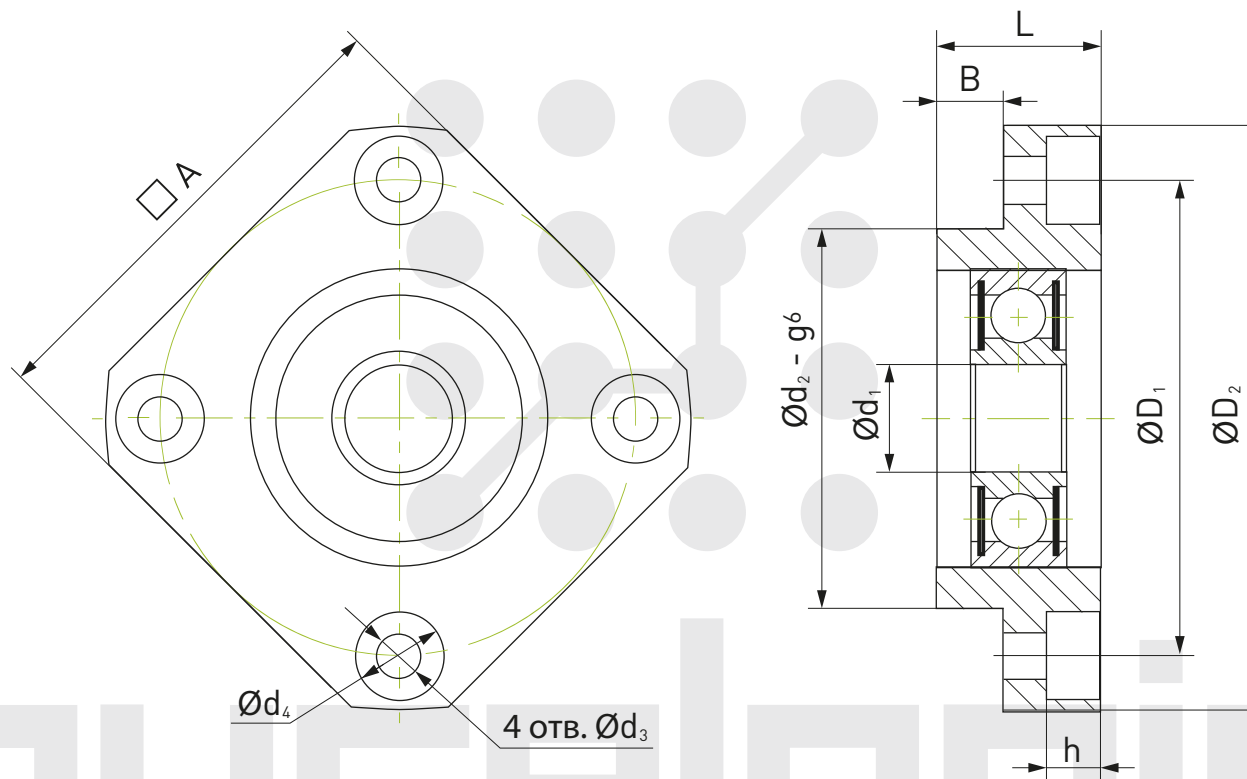


## Подшипниковые опоры, серия FF



| Обозначение | $\varnothing d_1$ | $\varnothing d_2$ | $\varnothing D_1$ | $\varnothing D_2$ | A  | B  | L    | $\varnothing d_3$ | $\varnothing d_4$ | h   | подшипник | m(кг) |
|-------------|-------------------|-------------------|-------------------|-------------------|----|----|------|-------------------|-------------------|-----|-----------|-------|
| FF-6        | 6                 | 22                | 27                | 38                | 28 | 4  | 10   | 3.2               | 6.8               | 4   | 606ZZ     | 0.05  |
| FF-10       | 8                 | 28                | 35                | 43                | 35 | 5  | 12   | 3.4               | 6.5               | 4   | 608ZZ     | 0.07  |
| FF-12       | 10                | 34                | 42                | 52                | 42 | 8  | 15   | 4.5               | 8                 | 4   | 6000ZZ    | 0.11  |
| FF-15       | 15                | 40                | 50                | 63                | 52 | 8  | 17.5 | 5.8               | 9.5               | 5.5 | 6002ZZ    | 0.17  |
| FF-20       | 20                | 57                | 70                | 85                | 68 | 9  | 20   | 6.6               | 11                | 6.5 | 6204ZZ    | 0.27  |
| FF-25       | 25                | 63                | 80                | 98                | 79 | 10 | 24   | 9                 | 14                | 8.5 | 6205ZZ    | 0.67  |
| FF-30       | 30                | 75                | 95                | 117               | 93 | 9  | 27   | 11                | 17                | 11  | 6206ZZ    |       |